

# PRODUCT DATA SHEET



PRODUCT CODE  
FL04950SIW

RANGE  
FLUTE

DESCRIPTION  
Glass Basin Ice White 0TH

COLOUR Ice White

MATERIAL Glass

STANDARDS EN 31/EN 14688 - CL0

INSTALLATION TYPE Furniture Mounted

DOP CLASS 01-2017

CAPACITY OF WATER AT  
OVERFLOW LEVEL 15 L

BASIN WASTE SIZE 45mm

TAP HOLES 0TH

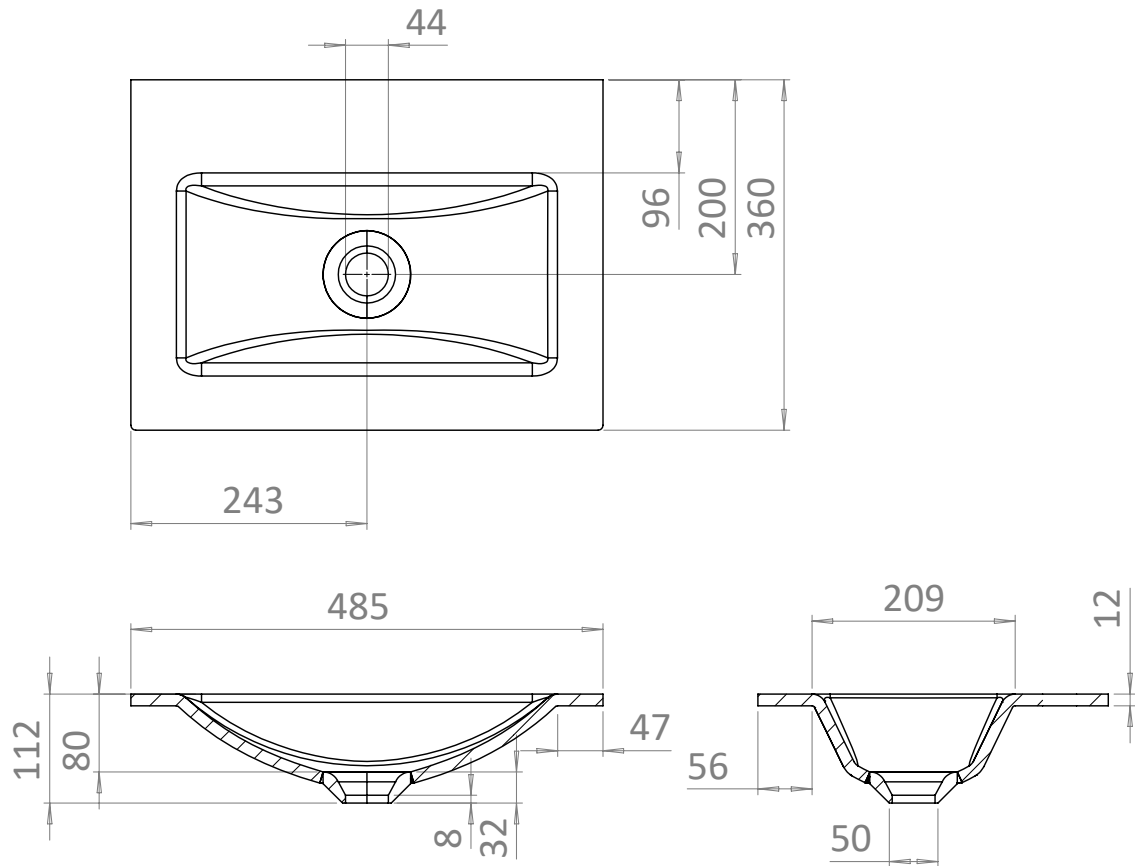
OVERFLOW No

WARRANTY 10 Years

## TECHNICAL DIMENSIONS

Dimensions in mm unless otherwise specified.

Tolerances (per material type) apply.



V10522