

# PRODUCT DATA SHEET



**PRODUCT CODE**

FL4950FNO-FS

**RANGE**

FLUTE

**DESCRIPTION**

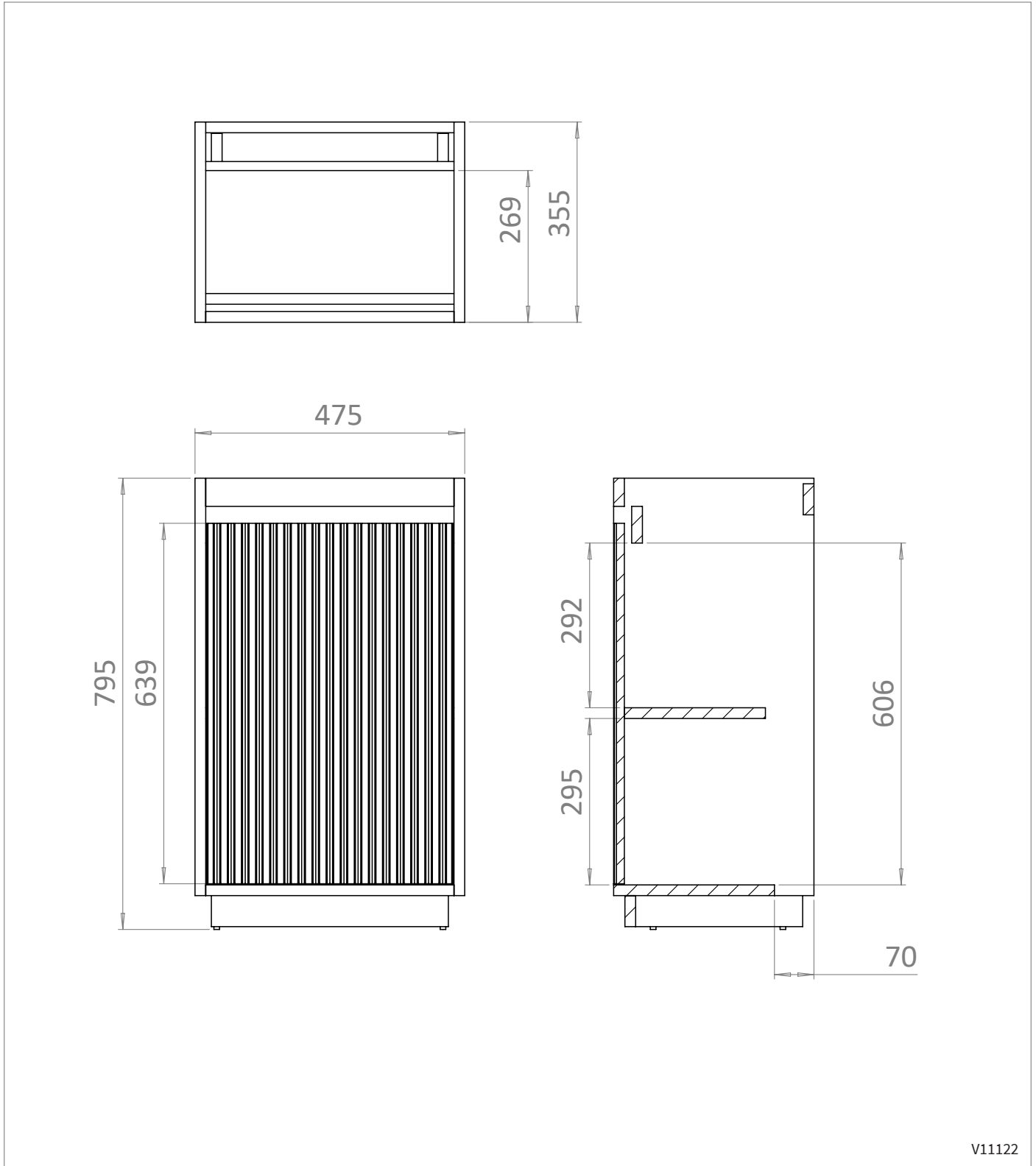
1 Door Floor Standing Unit Navarra Oak

<b>COLOUR</b>	Navarra Oak
<b>COLOUR CODE/ REFERENCE</b>	Crosswater Exclusive
<b>MATERIAL</b>	MDF
<b>STANDARDS</b>	EN 13986 EN 14749
<b>INSTALLATION TYPE</b>	Floor Standing
<b>HINGES</b>	BLUM INSERTA - Soft Close Hinged Door
<b>HINGE EXTENSION</b>	120 Degree Hinge Opening
<b>ADJUSTABLE FEET</b>	Yes
<b>WALL HANGERS</b>	Factory Fitted Load Capacity - 90kg Per pair on a Solid Wall 2 Way Adjustment
<b>WARRANTY</b>	10 Years

## TECHNICAL DIMENSIONS

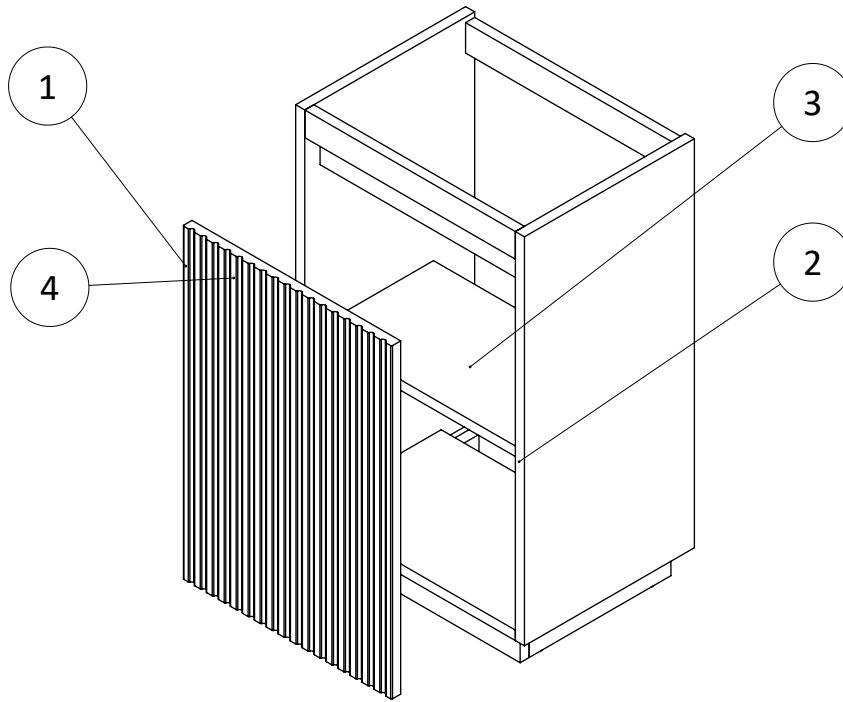
Dimensions in mm unless otherwise specified.

Tolerances (per material type) apply.



V11122

**SPARES DIAGRAM**



NUMBER	PART CODE	DESCRIPTION
1	HINGESFLUTE	Flute Set of Door Hinges x2
2	SHELFSUPPFLUTE	Flute Set of Shelf Supports
3	SHELFFLUTEWO	Flute Internal Shelf Windsor Oak
	SHELFFLUTENO	Flute Internal Shelf Navarra Oak
4	TDF_FL4950DWO-FS	Flute Door Front Windsor Oak
	TDF_FL4950DNO-FS	Flute Door Front Navarra Oak
5	PUSHOPENFLUTE	Flute Push to Open Door Catch
6	WBRACKETSFLUTE	Flute Wall Brackets x2

V11122