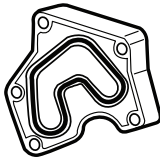
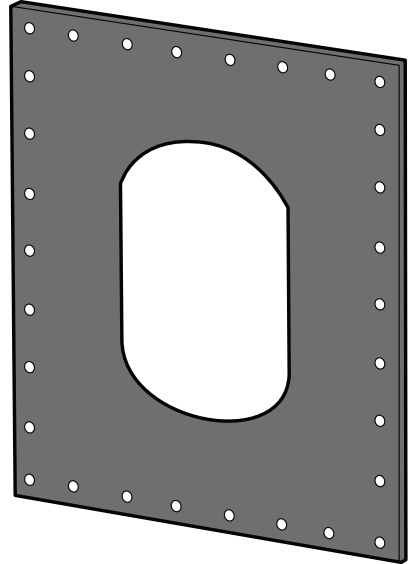
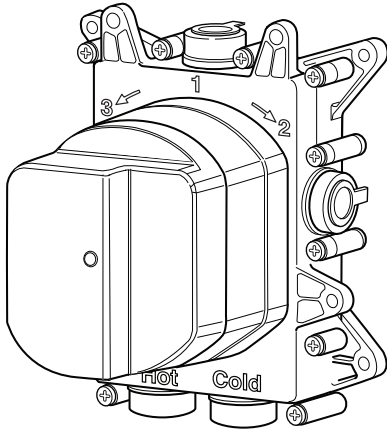


Concealed Box

Mounting Instructions

I

PACKAGE CONTENT



Mounting instructions



Pressure range min/max 0,5/5 bar

(in case of water pressure higher than 5 bar we recommend installing pressure reducers).

Recommended pressure 3 bar.

Operation:

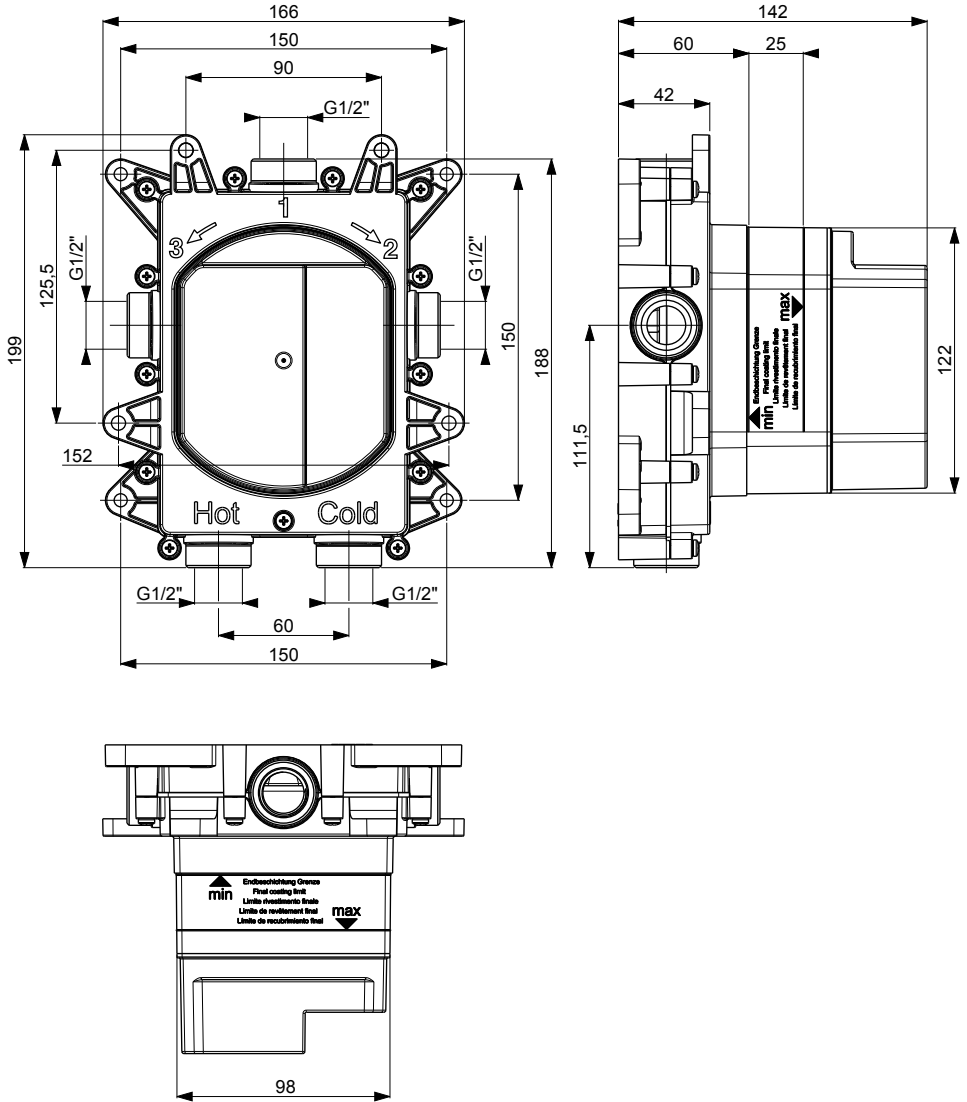
Either with gas or electric accumulation boilers.

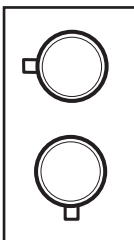
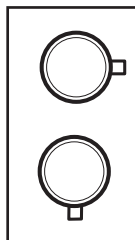
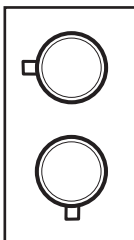
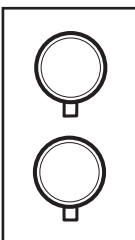
Centralised systems.

Safety lock at:	41°
Min. Working temperature:	3°C
Min. recommended:	15°C
Max. Working temperature:	80°C
Max. recommended:	65°C
<i>Recommended thermal differential</i>	50°C

Safety system with flow stop in case of lack of one of the two waters.

Warning: contact the plumber for the choice of the best water heating device.

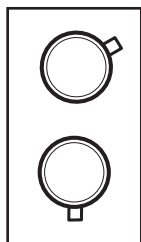


Press.	FLOW RATE (L/min)			
	Term. 1 way	Term. 2 way		
				
bar	Exit 1/2/3	Exit 2	Exit 3	Mix
0,5	8,2	8,2	8,2	9,2
1	11,7	11,7	11,7	13,2
2	16,7	16,4	16,4	18,7
3	20,7	20	20	22,9
4	24	23	23	26,4
5	26,6	25,8	25,8	29,5

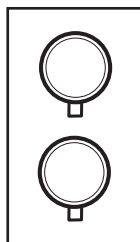
Press.

FLOW RATE (L/min)

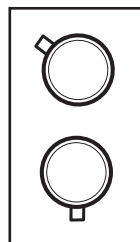
Term. 3 ways



Exit 1



Exit 2



Exit 3

bar

0,5

9,4

8,1

8,1

1

13,4

11,6

11,6

2

19,2

16,6

16,6

3

23,7

20,5

20,5

4

27,4

23,8

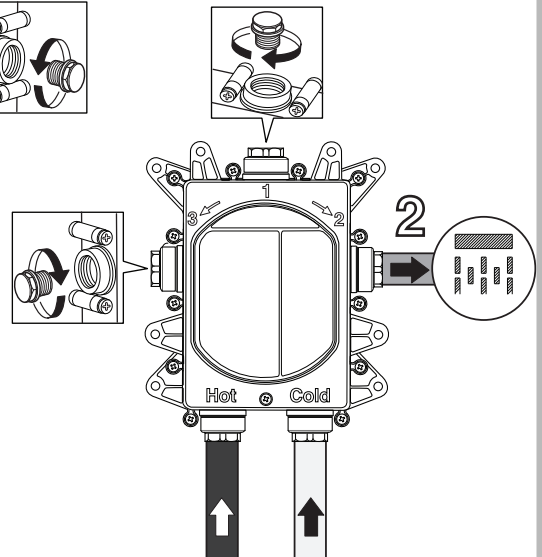
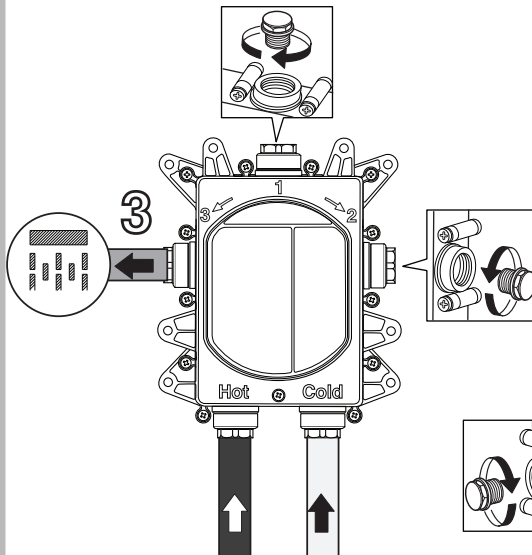
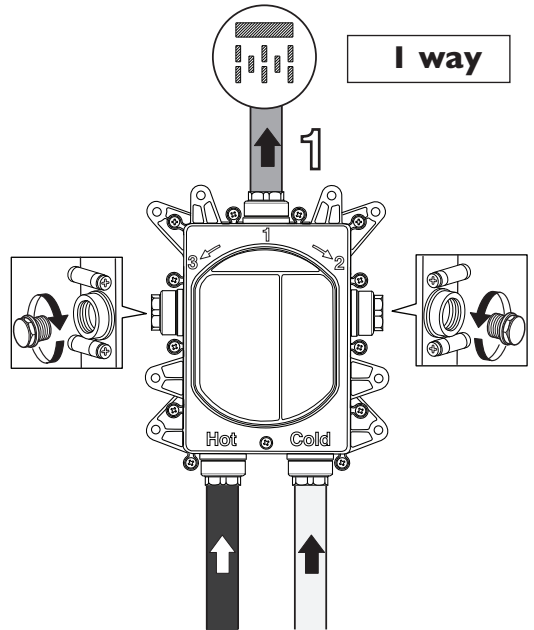
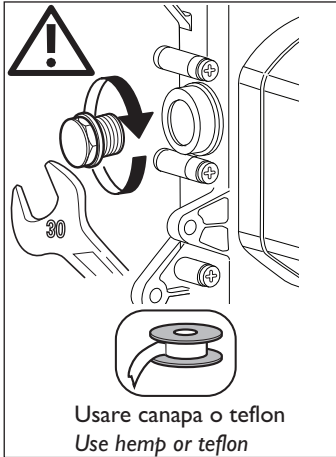
23,8

5

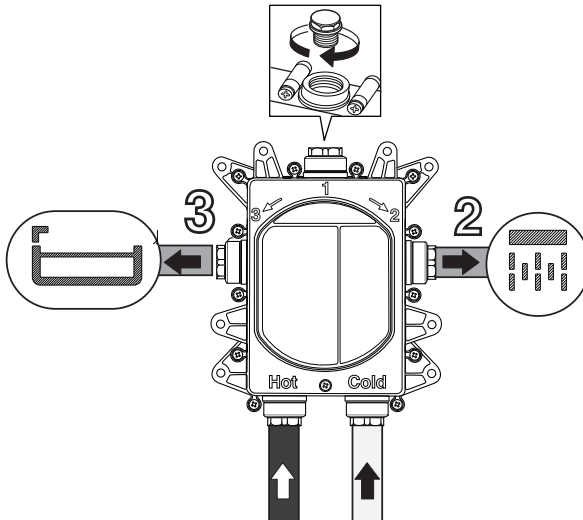
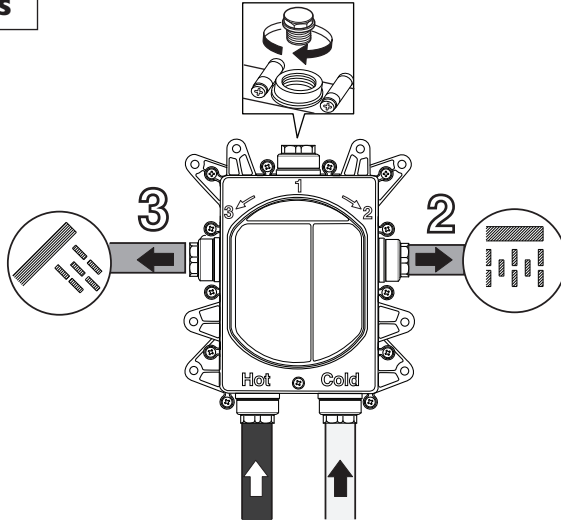
30,5

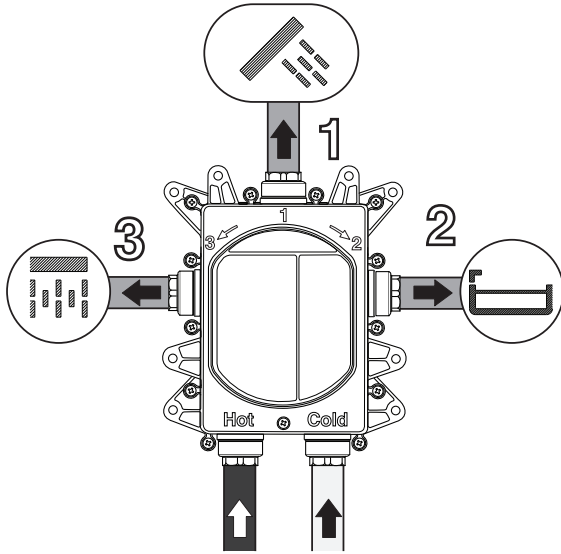
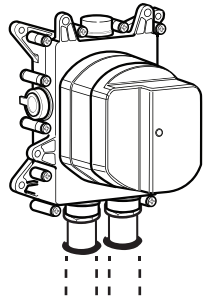
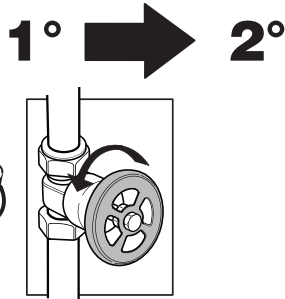
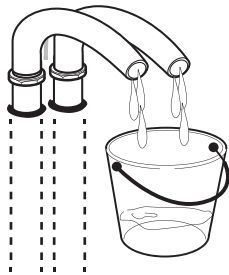
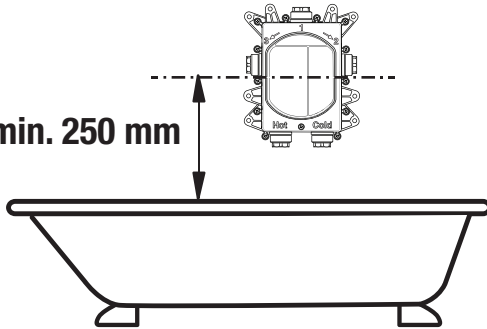
26,6

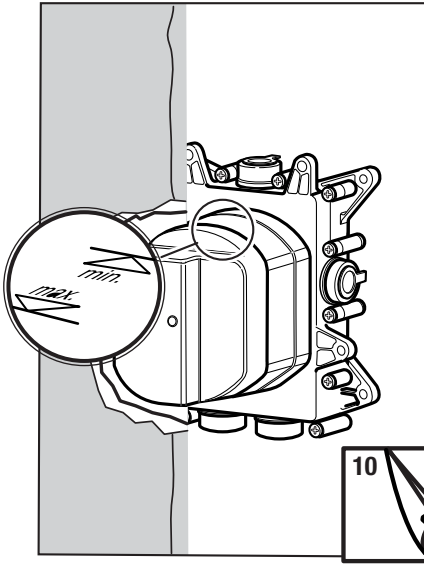
26,6



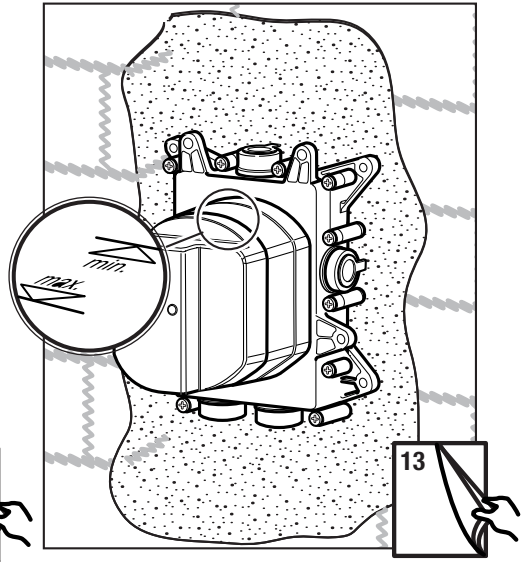
2 ways



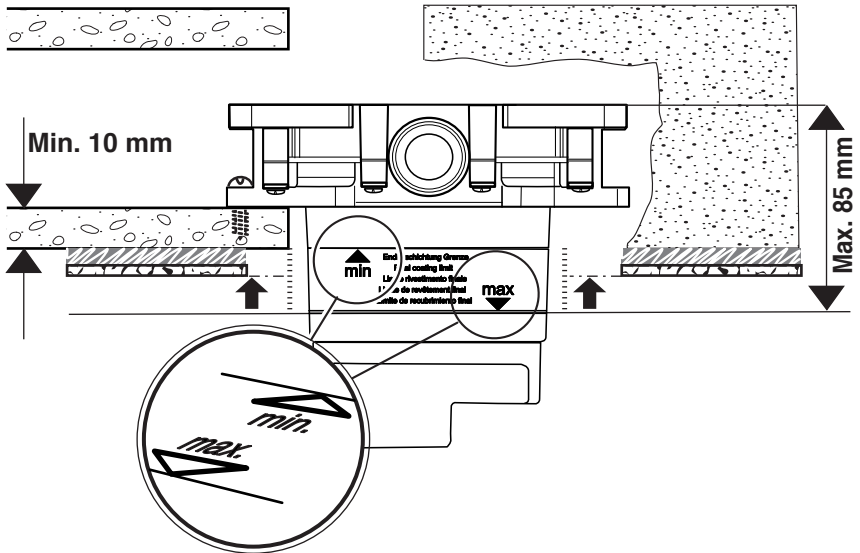
3 ways**min. 250 mm**

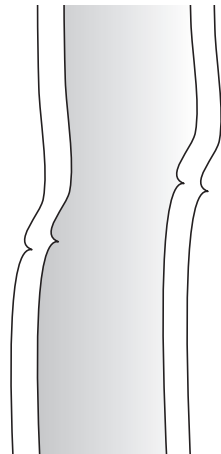
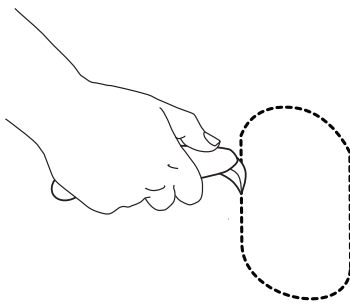
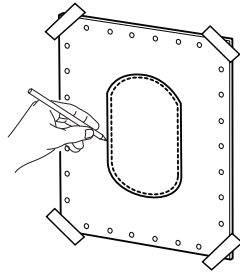
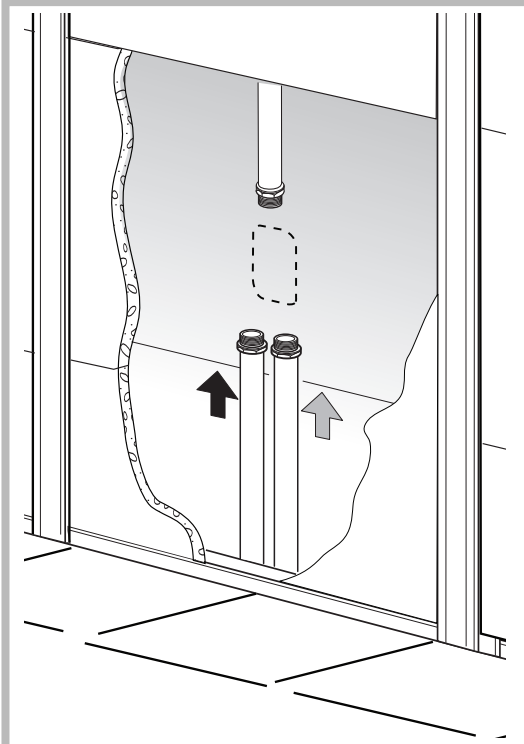


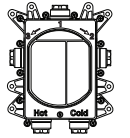
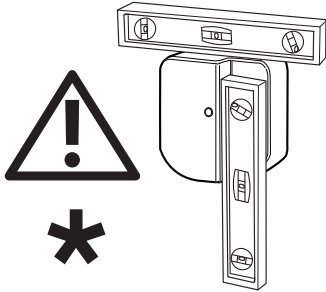
Mounting on plasterboard wall



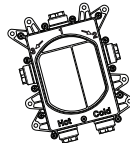
Wall mounting



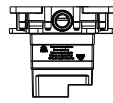




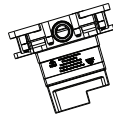
OK



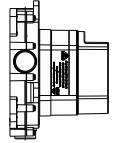
NO



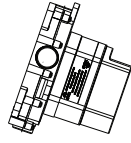
OK



NO



OK



NO

