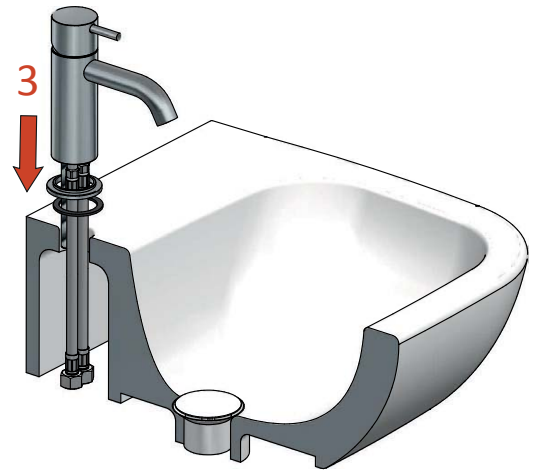
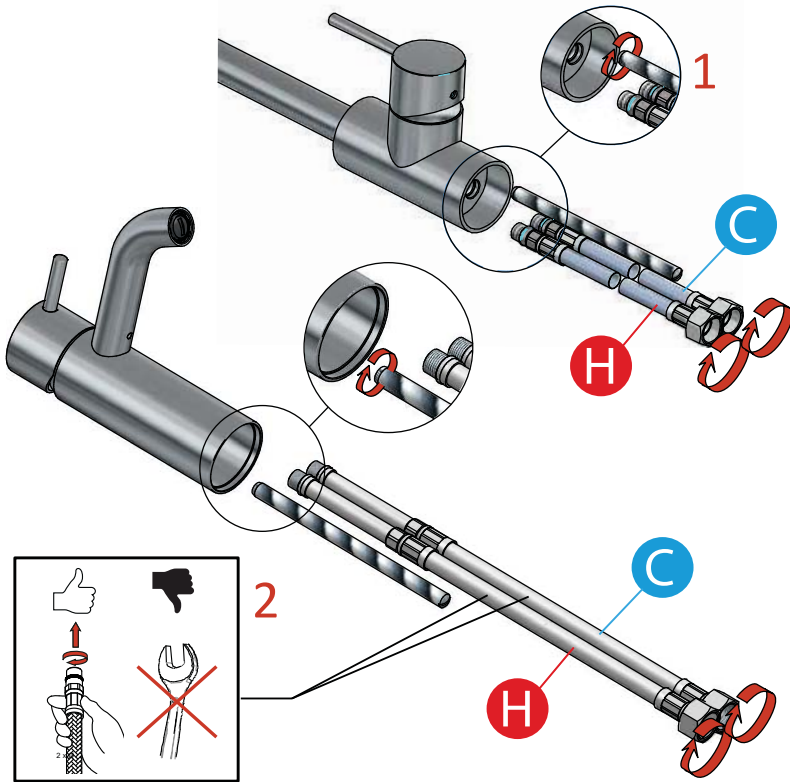
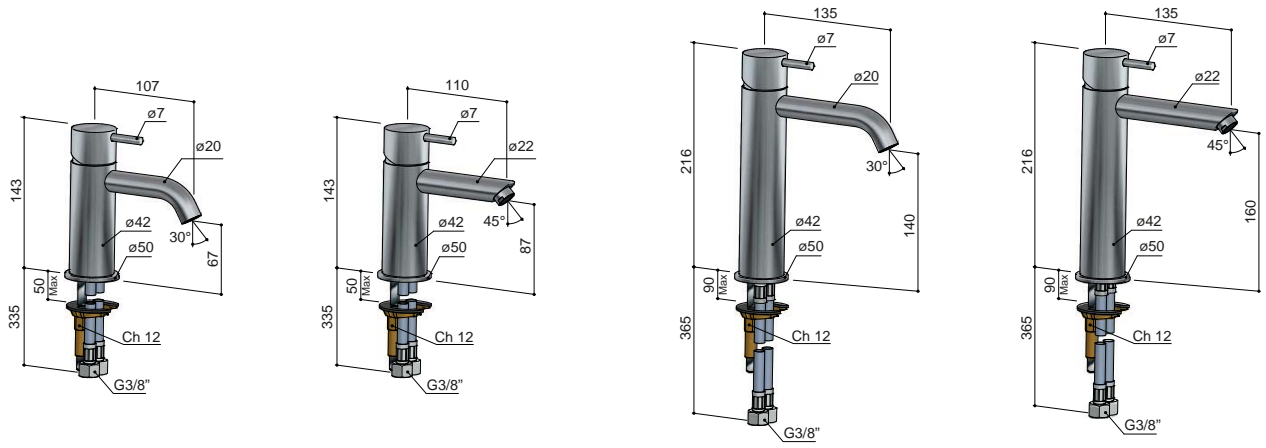
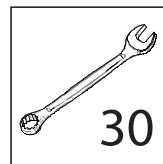
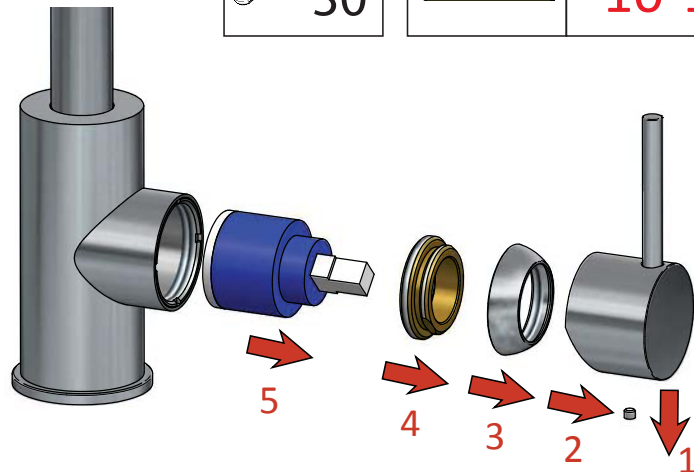
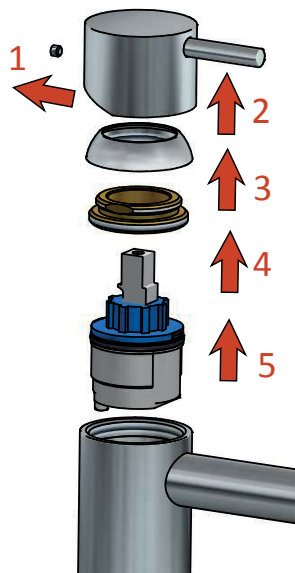


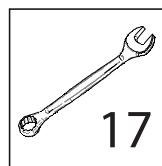
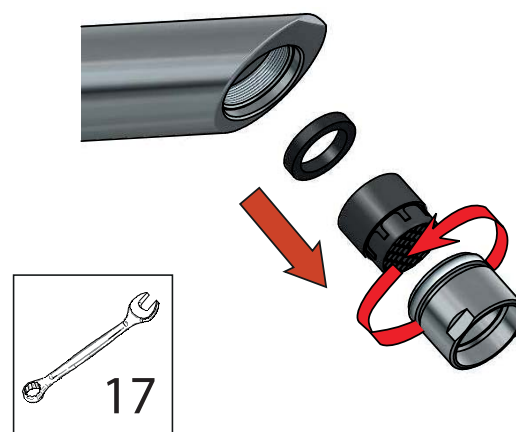
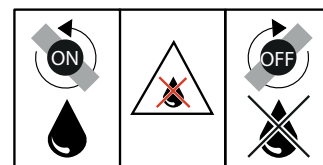
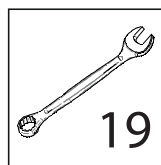
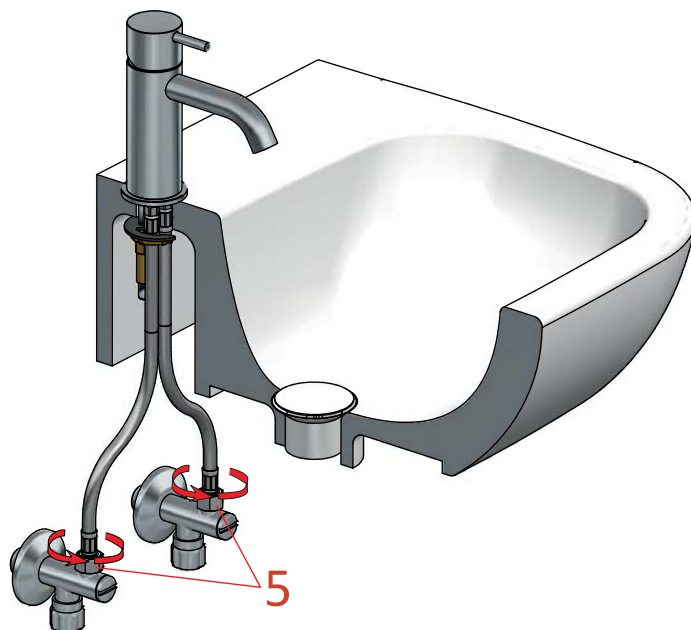
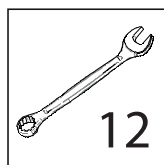
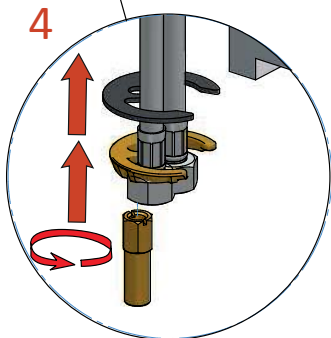
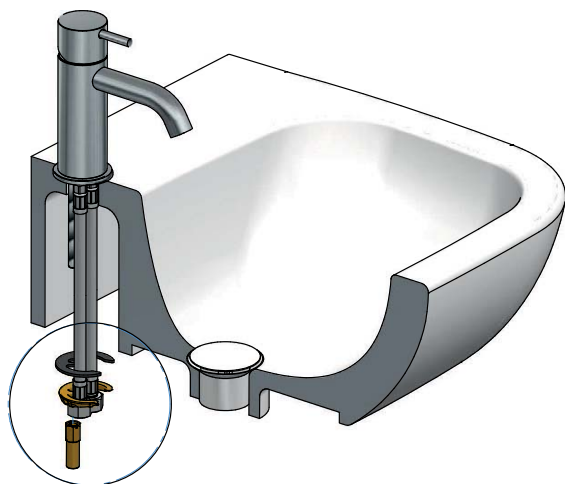
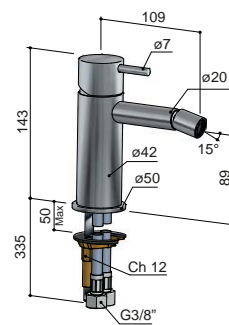
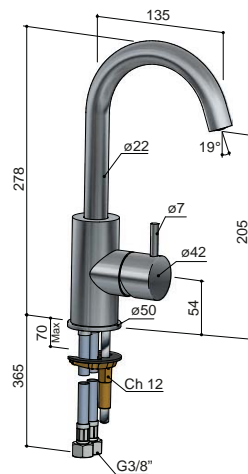
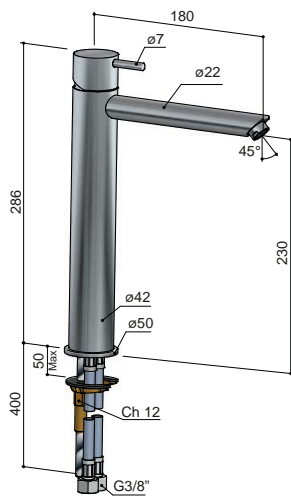
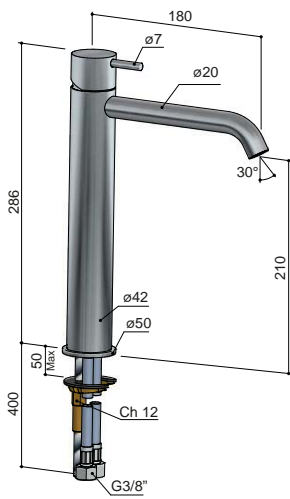
INSTALLATION

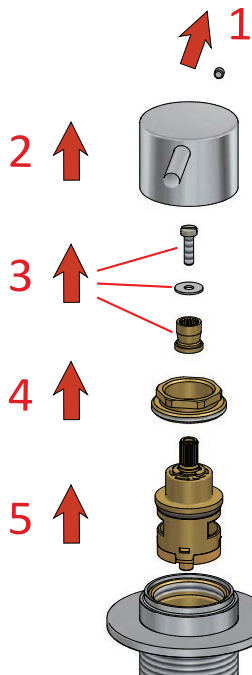
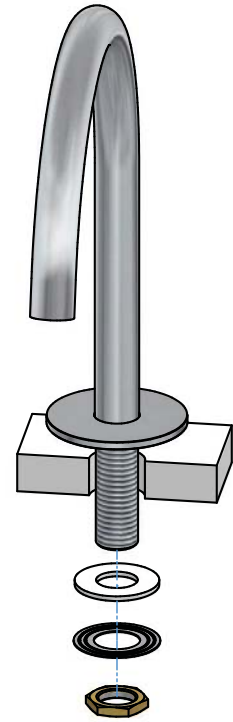
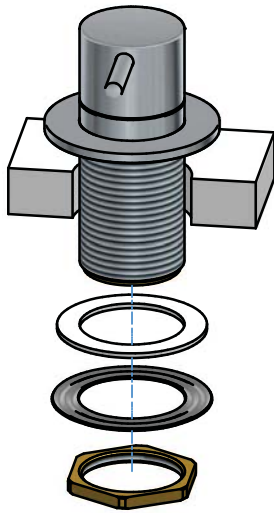
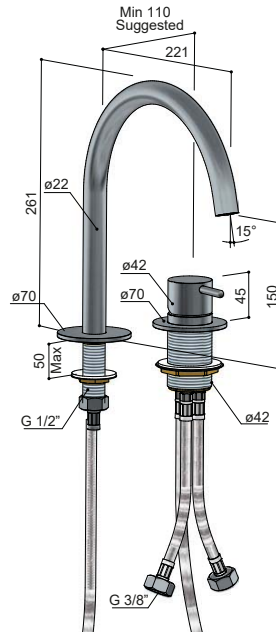


MAINTENANCE



MAX TIGHTENING TORQUE
10-12 Nm

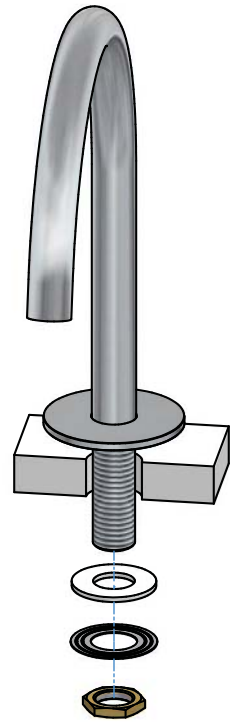
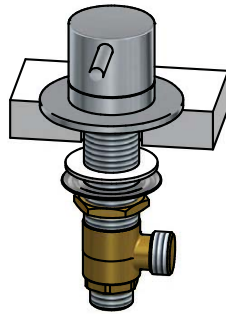
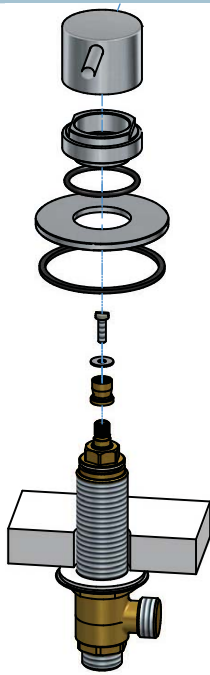
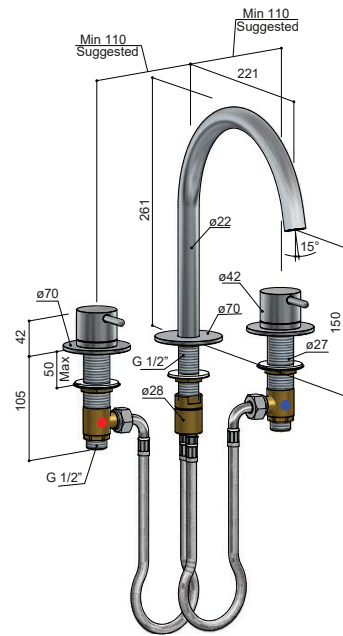




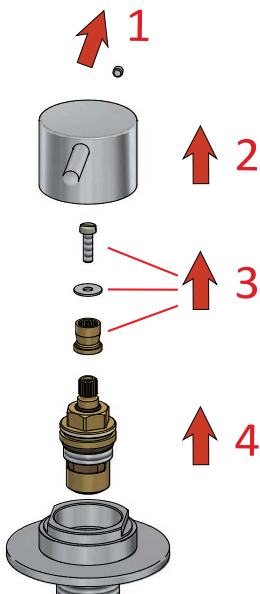
	MAX TIGHTENING TORQUE 30 Nm
	24



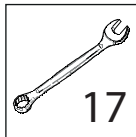
INSTALLATION

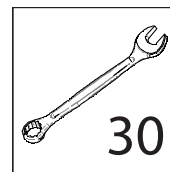
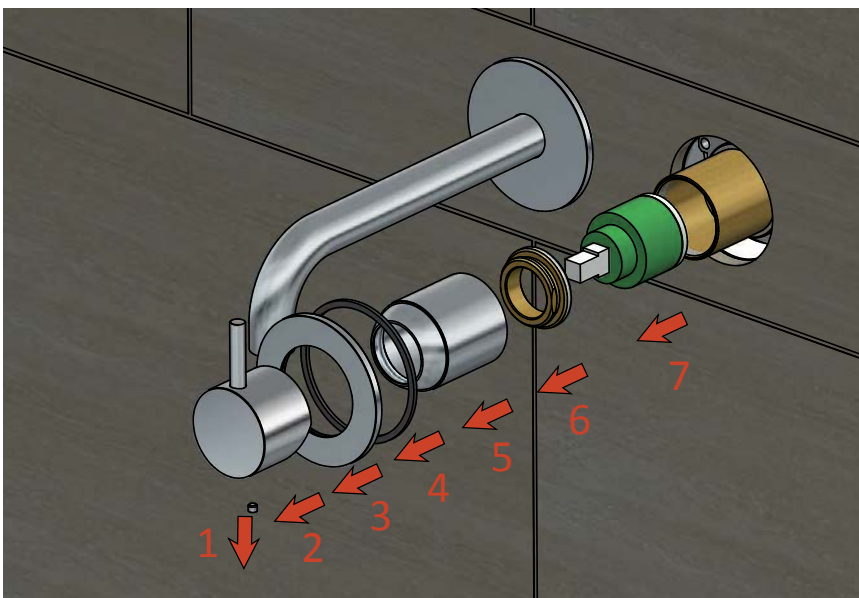
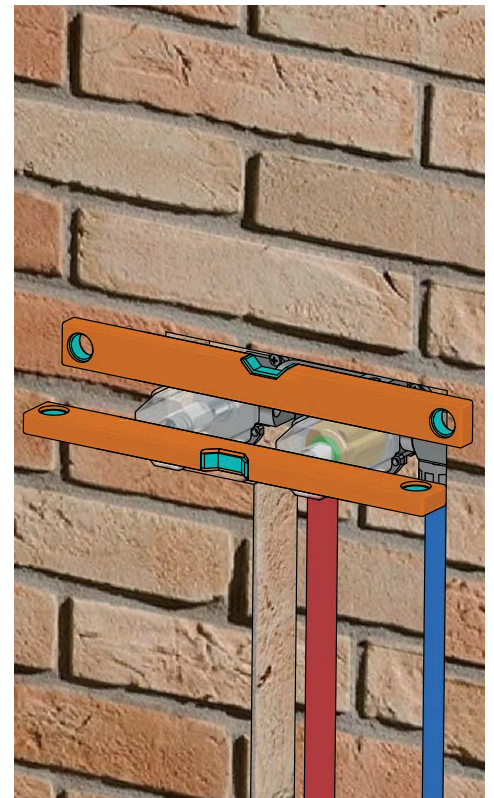
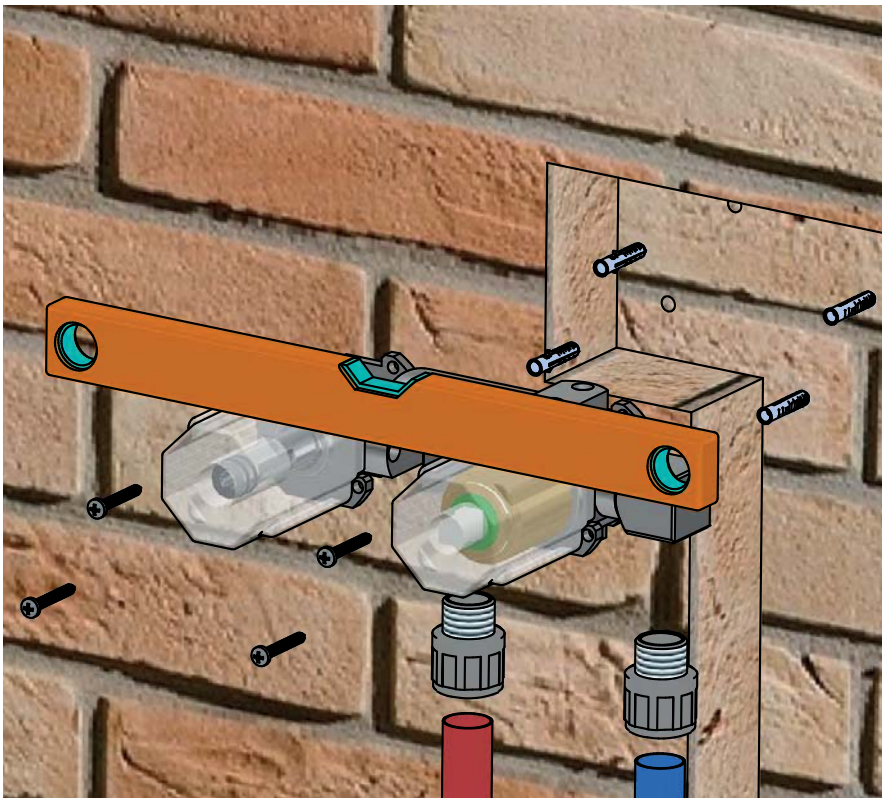
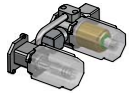
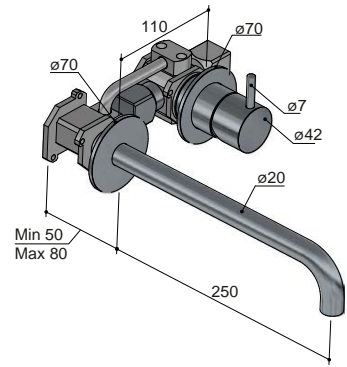
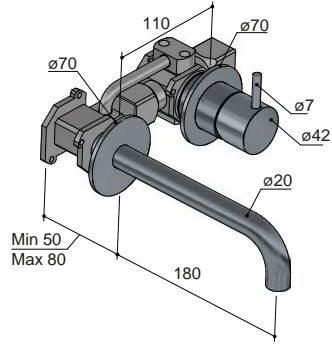
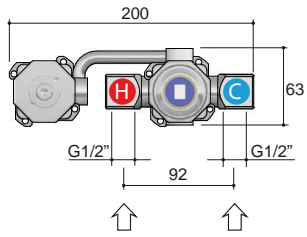


MAINTENANCE

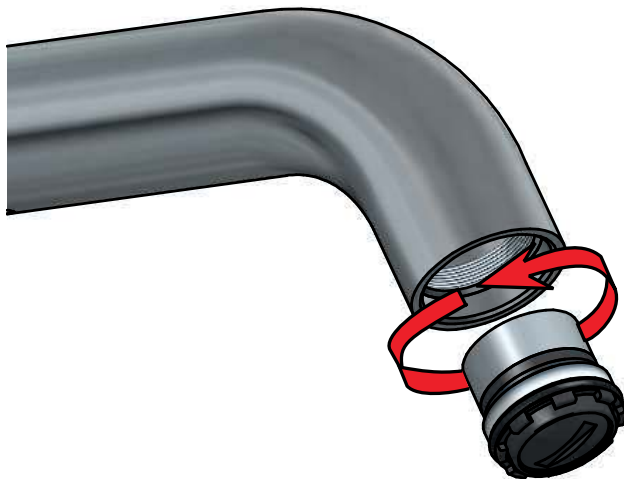
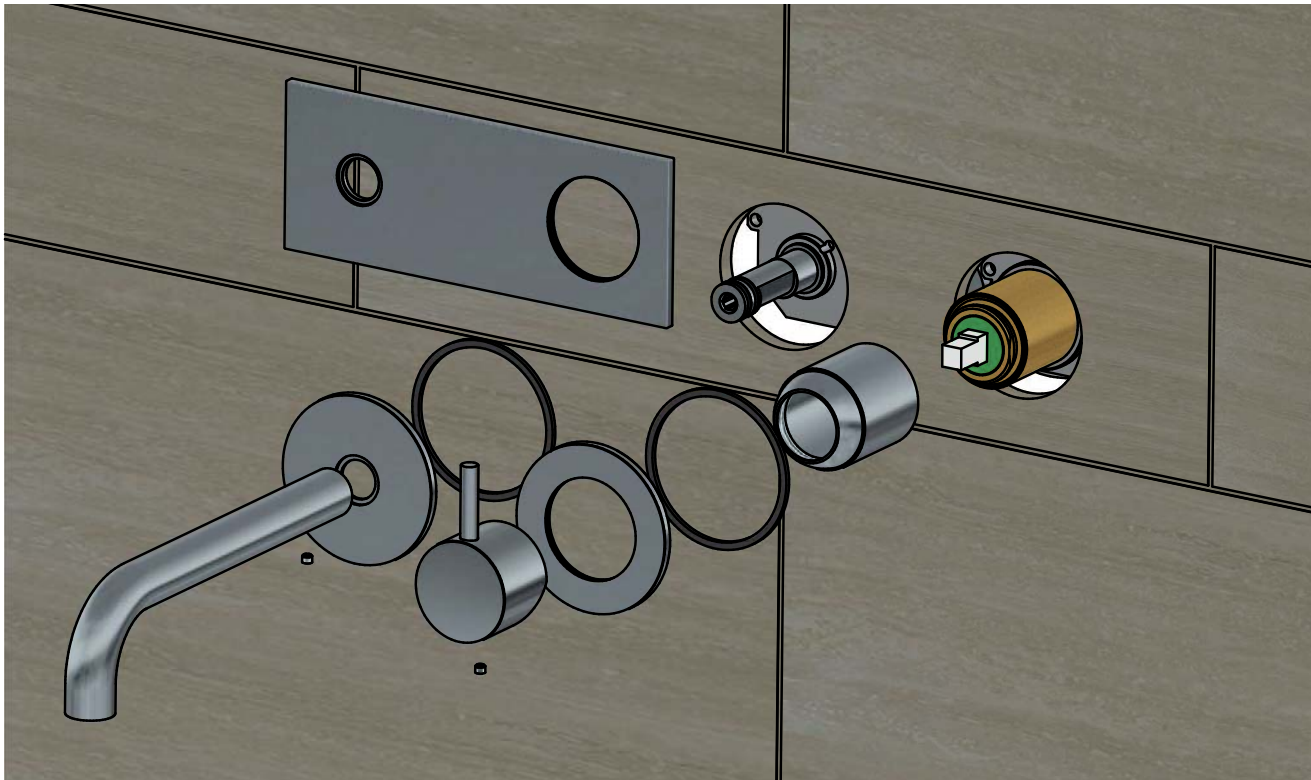
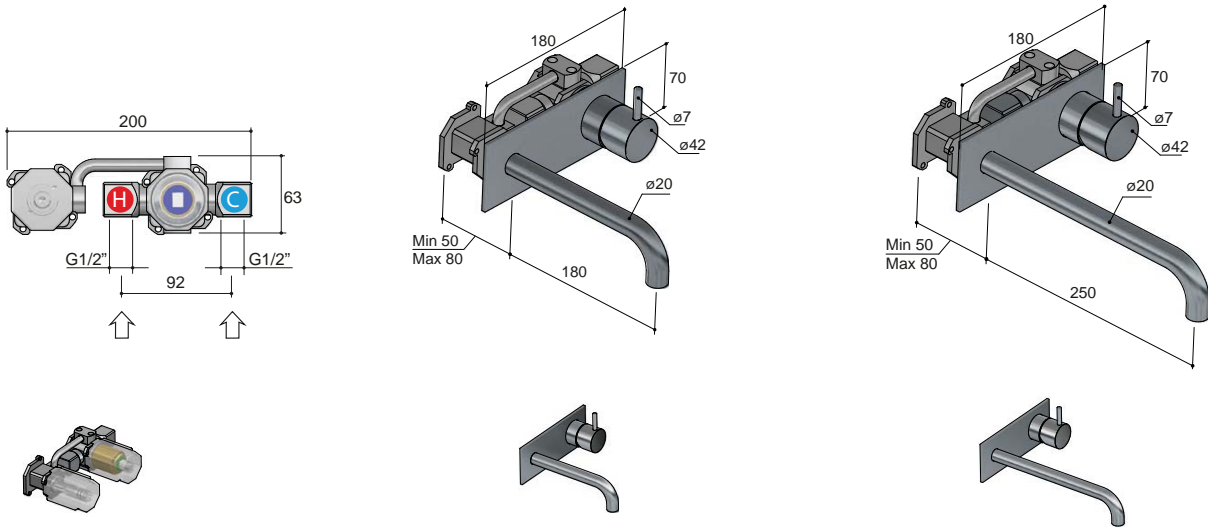


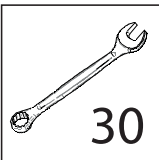
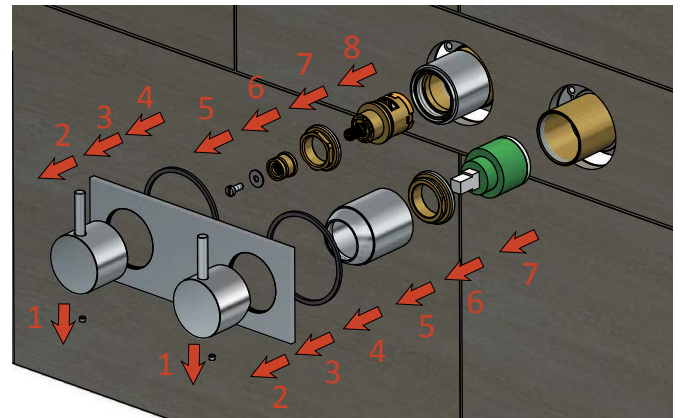
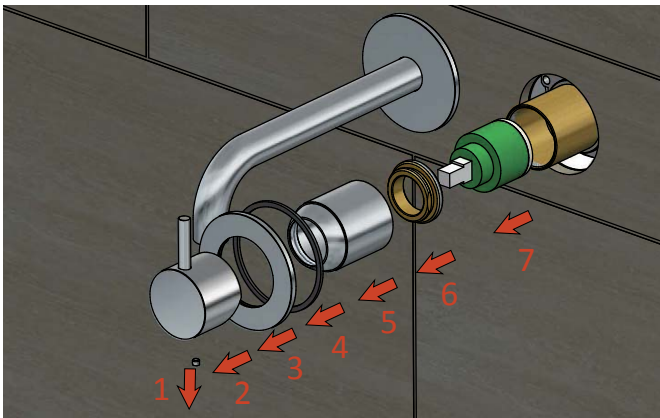
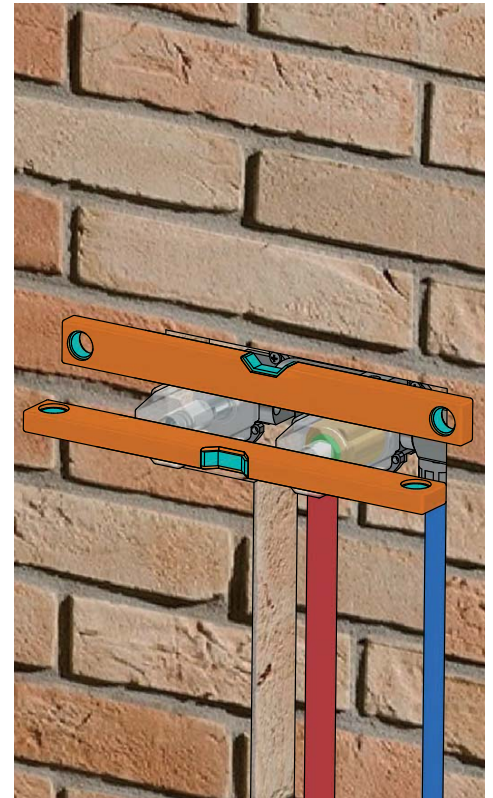
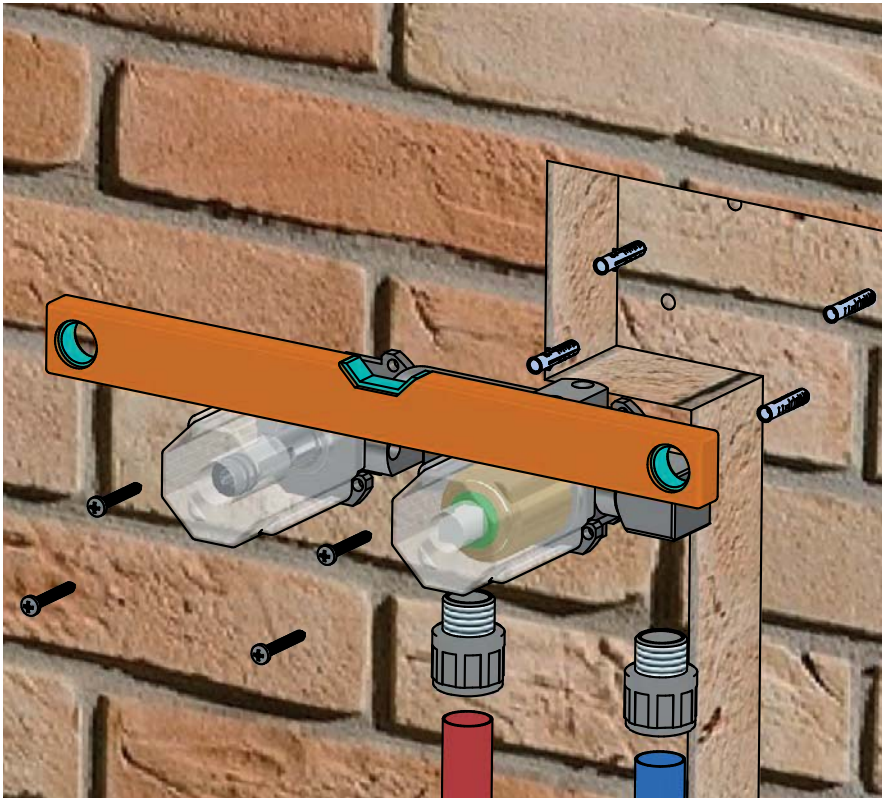
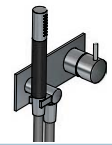
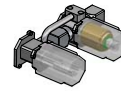
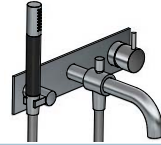
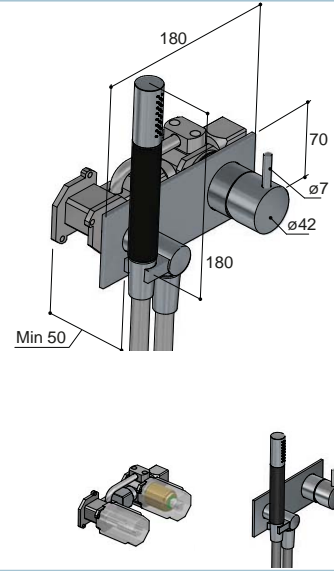
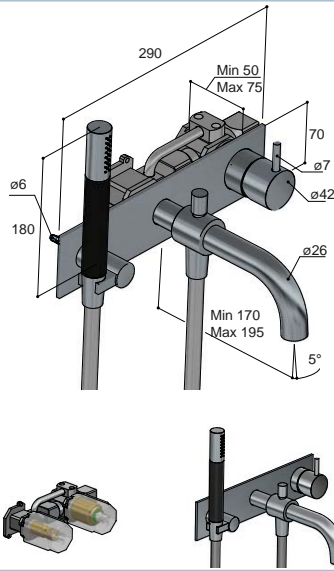
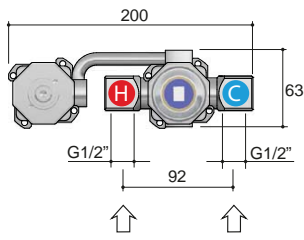
 MAX TIGHTENING TORQUE
30 Nm



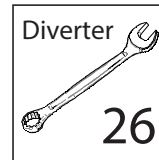


MAX TIGHTENING TORQUE
10-12 Nm





MAX TIGHTENING TORQUE
10-12 Nm



MAX TIGHTENING TORQUE
30 Nm

