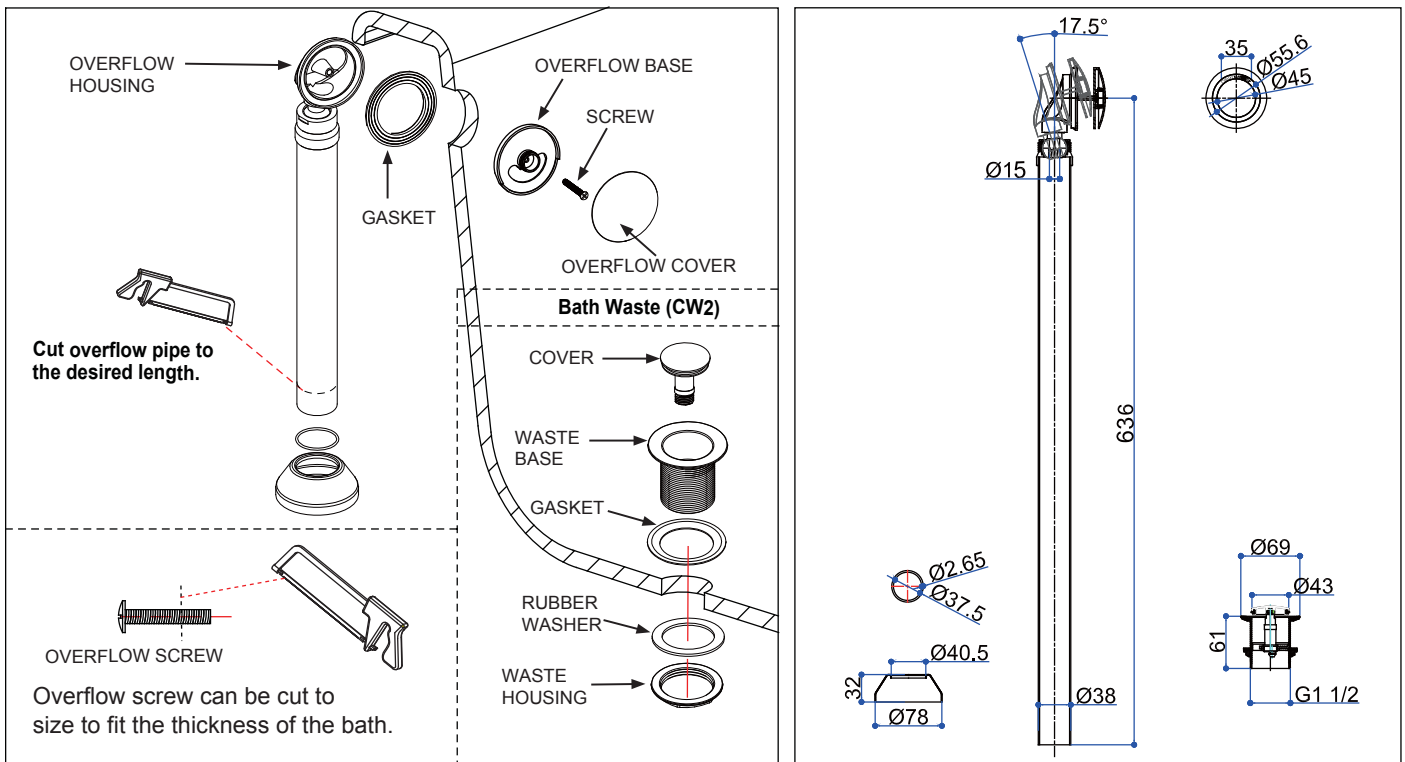


# INSTALLATION INSTRUCTIONS

## Special bath waste for baths without a pre-drilled overflow hole (with un-slotted click-clack waste) CW11

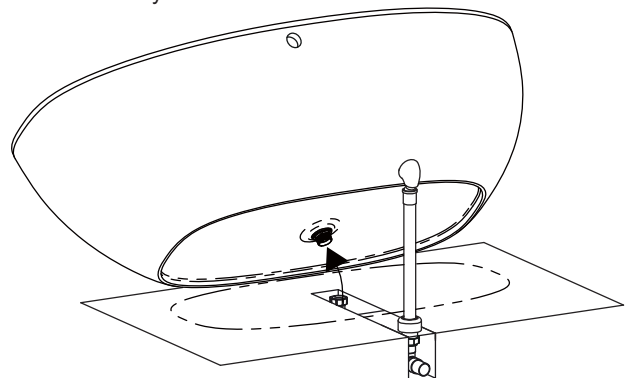
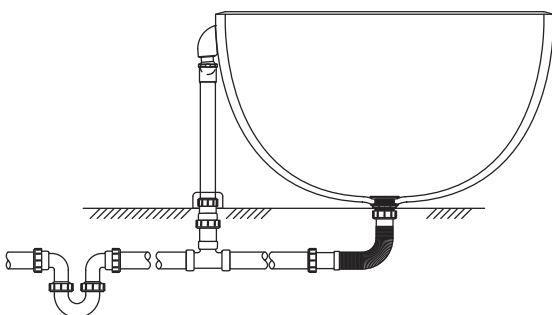
### Important

- Please read these instructions carefully and keep it for future reference.
- We recommend that this product is installed by a qualified professional contractor, such as a plumber certified to NVQ (National Vocational Qualification) or SNVQ (Scottish National Vocational Qualification) Level 3.
- Please check the product is complete, undamaged, and that it is the correct model.
- All final connections are made below the finished floor. Accessibility below the finished floor is recommended.
- Take all necessary precautions to ensure the bath is protected during installation.
- **Do not over tighten the waste as this may cause damage. Use a torque wrench set to a torque force of between 25 Nm and 50 Nm.**



### Installation

1. Drill the overflow by following the instructions shown on the template attached to the bath.
2. Fit overflow as shown in diagram above.
3. Install the click – clack waste onto the bath as shown in diagram above.
4. Complete the installation as per the diagrams below.
5. Items below the floor are not supplied – suitable plumbing products to be sourced by the installer.



### Maintenance

Aggressive household cleaning chemicals can damage the finish and function of this product. The product should only be cleaned with soapy water and rinsed with clean water and dried with a soft cloth.