

## Granlusso Amalfi Freestanding Stone Bath Installation Guide

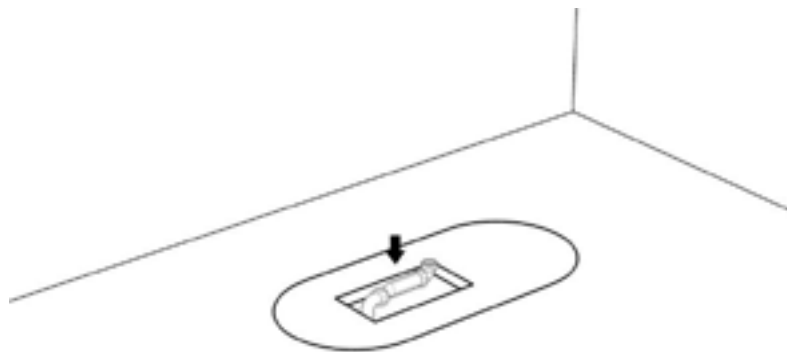
Before installation you should download the technical drawing for the bath you have purchased. You can find this on the product page relating to the bath you have purchased. This will show you the exact dimensions of the bath base, the bath void depth and the location of the bath waste fitting.

Each bath is supplied with a low-profile waste connector and flexible pipe which fits within the void area of the bath and the base of your floor. The end of this pipe measures 40mm. For installation purposes the pipe pulls out and extends to a length of 850mm.

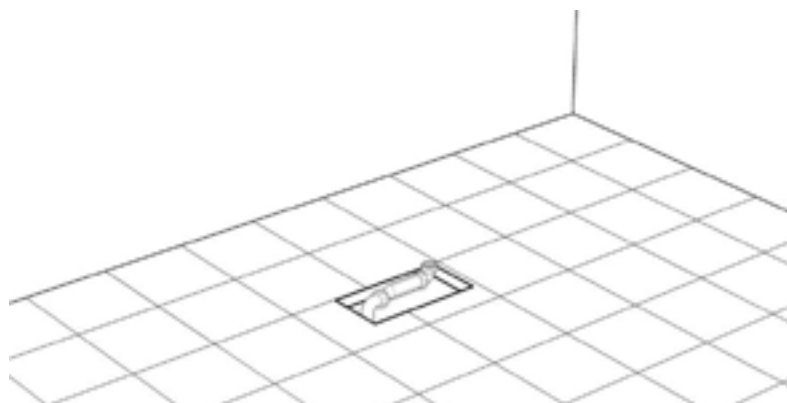
### Installing your bath on a wooden floor



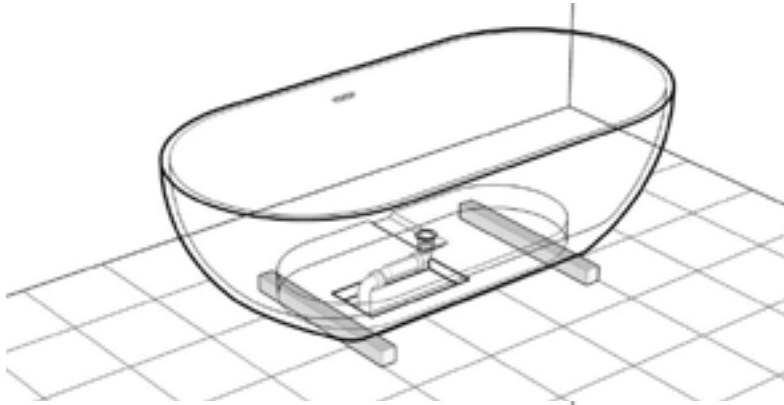
- Mark the footprint of the bath base on the floor.



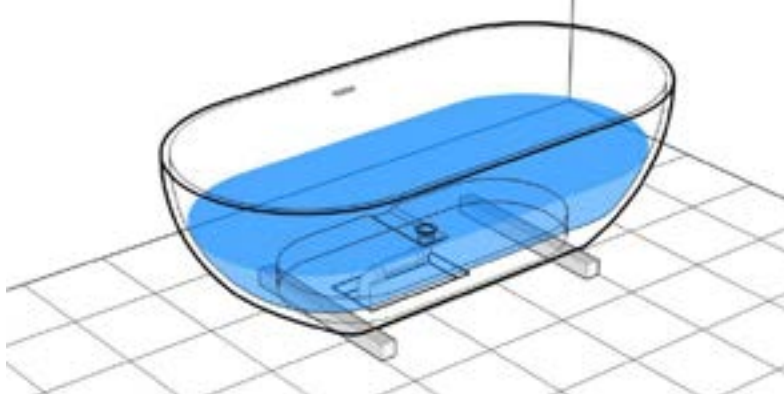
- Within the bath footprint you need to bring your waste pipe through the floor.



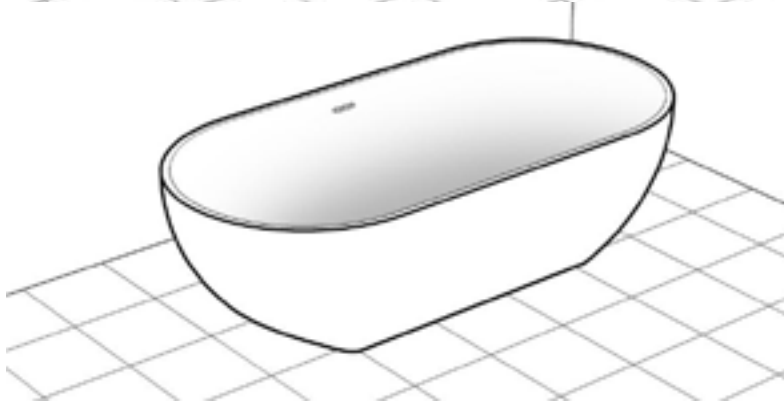
- Finish your floor covering, tiling etc.



- Place 2 lengths of timber at either end of the bath and lift the bath onto the timbers so that it is propped up high enough to connect the waste fitting to your trap.



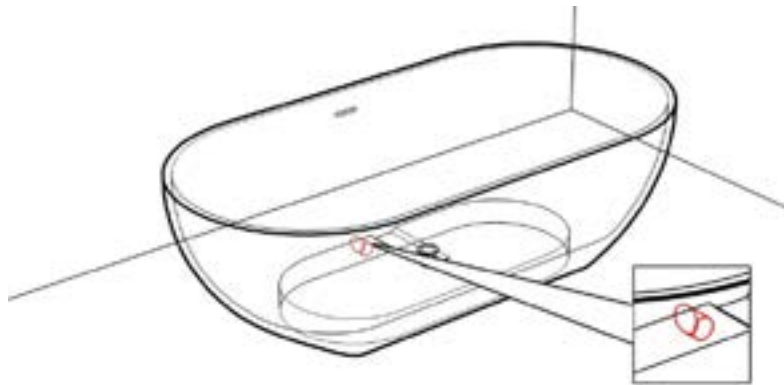
- Once you have connected the waste pipe to your trap you need to check the bath for any leaks. To do this you will need to fill the bath half way and release the waste.



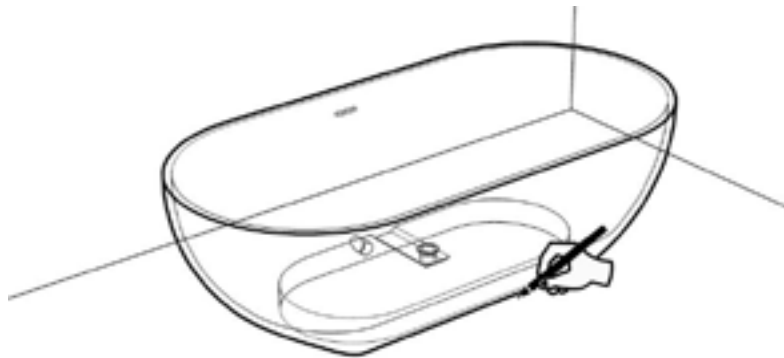
- Once you are satisfied that there are no leaks you will need to remove the timbers and lower the bath into position. Your bath is now installed.

## Installing your bath on a concrete floor

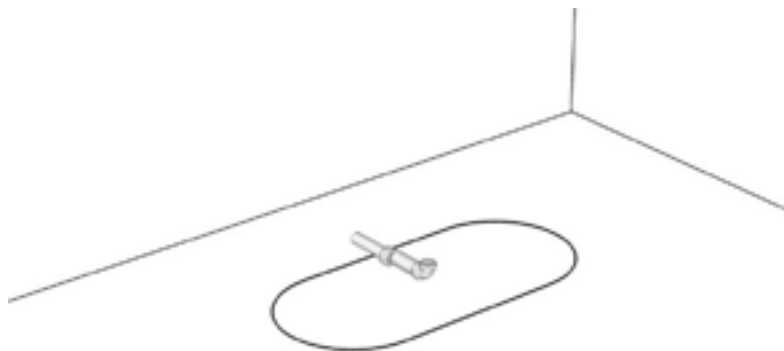
Unless you're planning on cutting a channel out of your floor to fit the waste pipe in you will need to carry out the below:



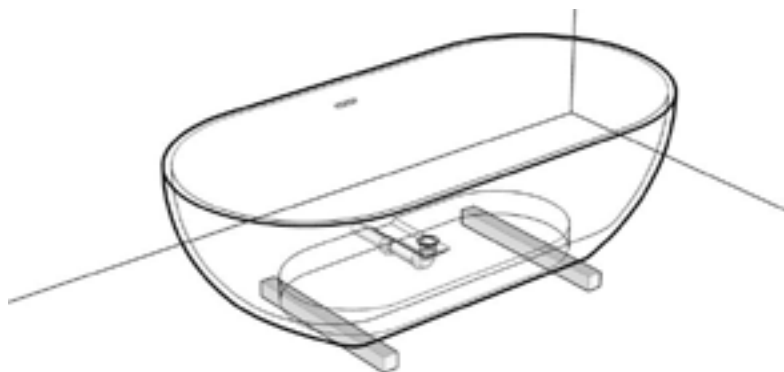
- Using a 44mm hole saw drill attachment you need to drill a circular hole in the cavity wall at the base of the bath. (Back of the bath) (This does not void your warranty)



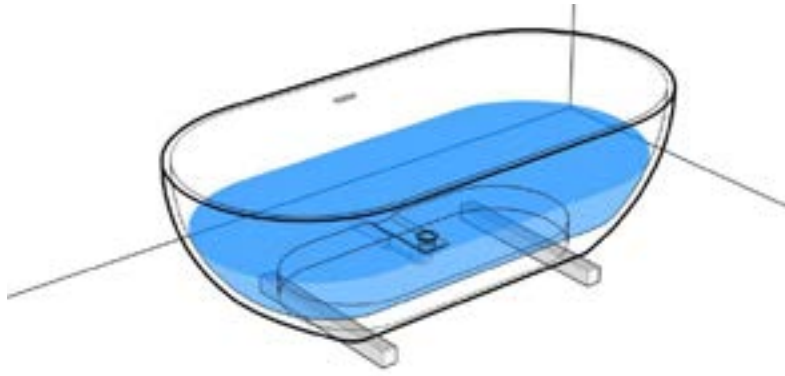
- Mark the footprint of the bath base on the floor.



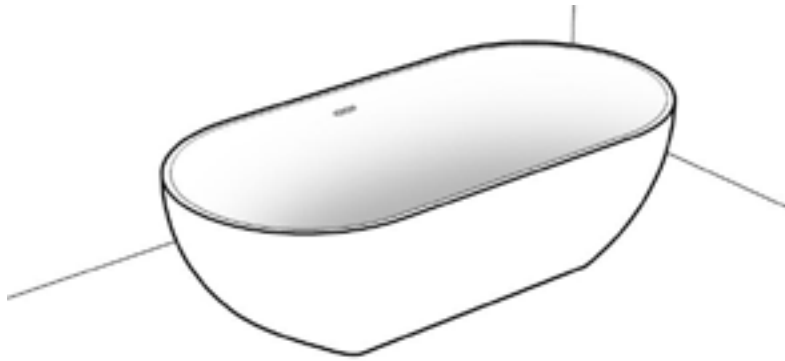
- Within the bath footprint you need to bring your waste pipe across the floor behind the bath and through the hole you have drilled.



- Place two lengths of timber at either end of the bath and lift the bath onto the timbers so that it is propped up high enough to connect the waste fitting to your trap.



- Once you have connected the waste pipe to your trap you will need to check the bath for any leaks. To do you will need to fill the bath half way and release the click clack waste.



- Once you are satisfied that there are no leaks you will need to remove the timbers and lower the bath into position. Your bath is now installed.