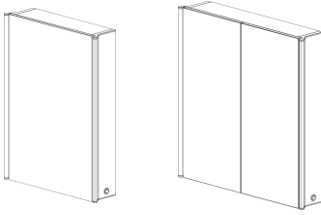


Technical Data Sheet

STRIDE



Box Contents:

Stride Cabinet | 2 glass shelves | 2x Wall hanging brackets | 6x wall plugs | 6x screws | Instructions booklet

Materials:

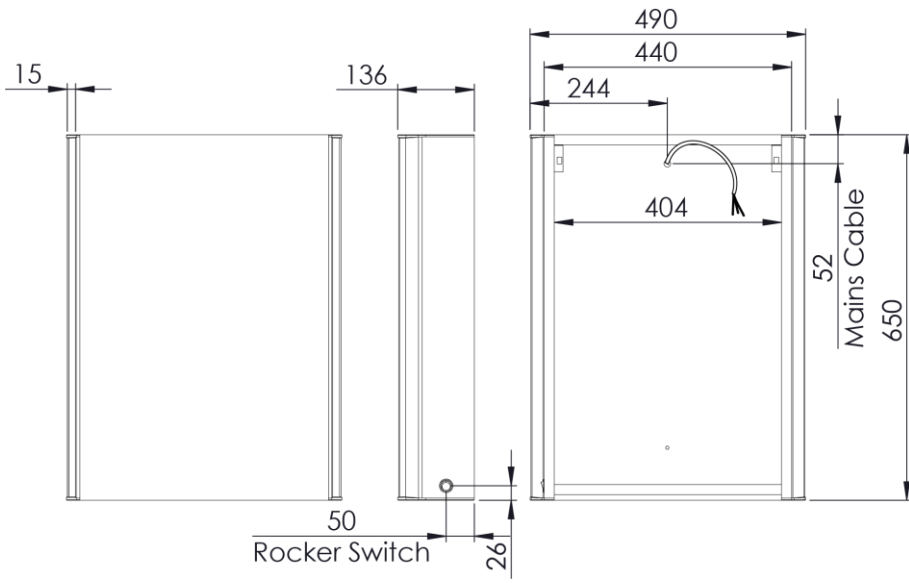
Carcass: Extruded Aluminium | Door: Mirror on MDF | Backboard: 3mm MDF

Glass: 3mm PVC Backed | Carcass end caps: Painted plastic

FAQ's:

	Units	Single Door	Double Door
Internal dimensions (L x W x D)	mm	400 x 100	560 x 100
Shelf dimensions (L x W x D)	mm	400 x 95 x 5	560 x 95 x 5
Max shelf spacing	mm	70	
Distance between door hinges	mm	387	
Individual door dimensions (L x W x D)	mm	650 x 443 x 15	650 x 443 x 15
Door opening angle	°	90 degree	
Depth with door fully open	mm	543	398
Hanging bracket centres	mm	385	545
What is the thickness of the mirror glass?	mm	3mm	
Is the cabinet IP44 rated?	-	Yes	
What size fuse should I use?	-	Seek the advice of an electrician	
What is the total power consumption?	W	12	
Does the mirror have an energy rating?	-	A	
What is the colour of the light and the Kelvin rating?	K	6000K	
What is the wattage of the lights?	W	12	
Where is the rocker switch located?	-	Right side	
Can the LED lighting be replaced?	-	No	
Can the IR sensor be replaced?	-	No	
What is the output of the demister pad?	W	N/A	
What are the dimensions of the demister pad?	mm	N/A	
How do I turn on the demister pad?	-	The demister pad will turn on when the LEDs are turned on.	
Are illuminated mirrors supplied with mains cable?	-	All illuminated mirrors are supplied with a removeable 500mm mains cable. There is ample storage for excess cable in the back of the unit.	

Single Door



Double Door

