

Technical Data Sheet

Marston Pillar Mounted Bath Shower Mixer

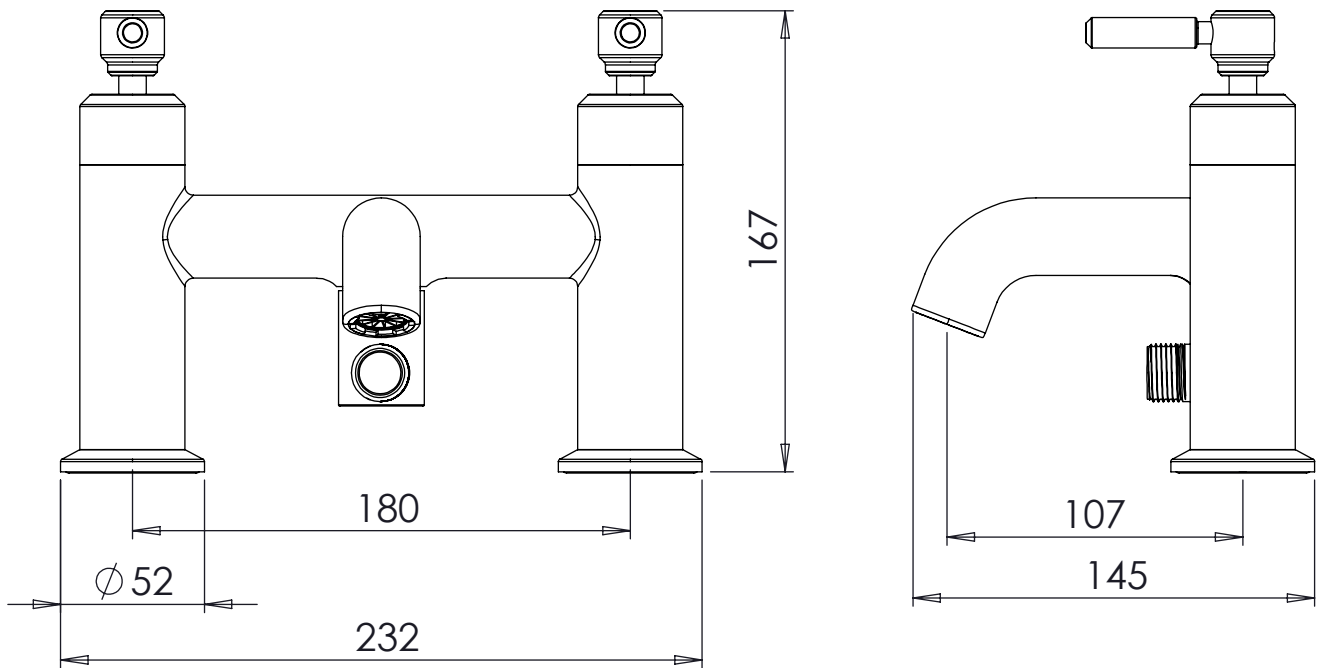
| No. | Description | Fixings Included |
|-----|--|------------------|
| 1 | Marston Pillar Mounted Bath Shower Mixer | YES |



| | |
|---------------|-----------------|
| Min Pressure: | 0.2bar |
| 0.2bar | 10 litres / min |
| 0.3bar | 13 litres / min |
| 0.4bar | 15 litres / min |
| 0.5bar | 17 litres / min |
| 1bar | 25 litres / min |
| 2bar | 35 litres / min |

Dimensions:

Diagrams not to scale. All dimensions in mm (tolerance of +/-5mm)



*Dimensions are subject to change, customers are advised to measure actual product before commencing installation.

FAQs

What is the size of the bath filler threaded connection? The threaded connectors have a standard 3/4" BSP fixing.

What is the size of the shower hose threaded connection? The threaded connectors have a standard 1/2" BSP thread.