

# Technical Data Sheet

Marston Pillar Mounted Bath Filler -

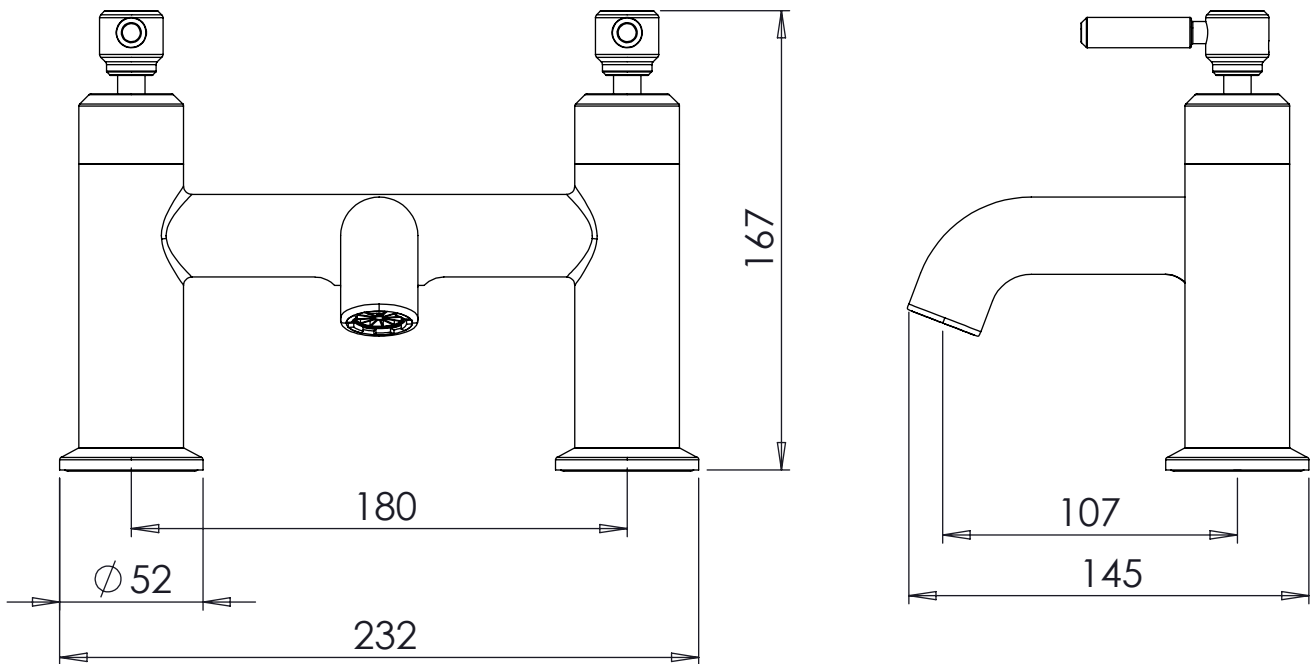
No.	Description	Fixings Included
1	Marston Pillar Mounted Bath Filler	YES



Min Pressure:	0.2bar
0.2bar	13.7 litres / min
0.3bar	18 litres / min
0.4bar	21 litres / min
0.5bar	23.5 litres / min
1bar	34 litres / min
2bar	48 litres / min

## Dimensions:

Diagrams not to scale. All dimensions in mm (tolerance of +/-5mm)



\*Dimensions are subject to change, customers are advised to measure actual product before commencing installation.

## FAQs

**What is the size of the bath filler threaded connection?** The threaded connectors have a standard 3/4" BSP fixing.