

**Ecostat Square**  
**Thermostatic mixer for concealed installation for 2 outlets**  
 Surfaces: **brushed bronze** Art. no. : **15714140**



### Description

#### product features

- designed to run 2 outlets
- wall-mounted
- Maximum flow rate (at 3 bar): 29 l/min
- flow rate upper outlet 28 l/min at 3 bar
- flow rate lower outlet 25 l/min at 3 bar
- thermostat cartridge, shut-off/ diverter valve
- safety stop at 40°C
- Maximum temperature can be adjusted on installation
- Connection type: basic set
- Min. operating pressure: 1 bar
- Max. operating pressure: 10 bar
- Noise class: I
- WRAS 1807036
- WRAS 1807036
- KIWA UK 1503706

### Article Details

Price excl. VAT

£ 731.96

### Design awards



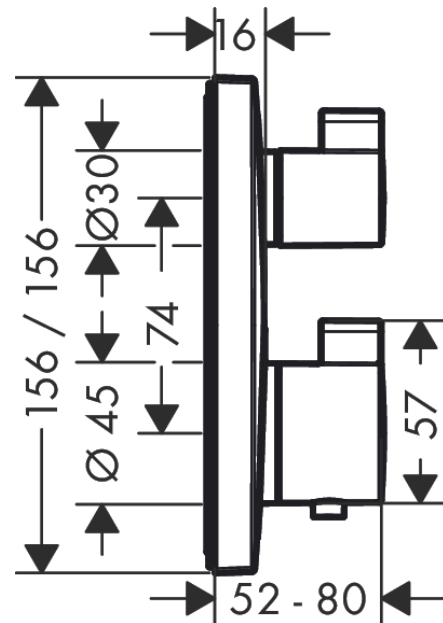
### Certificates



### Product image



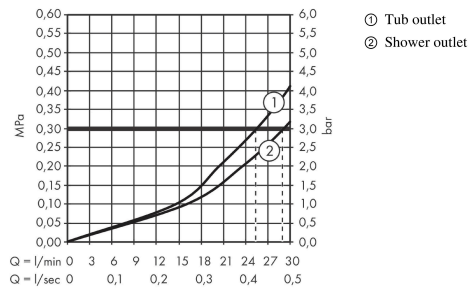
### Scale drawing



**Ecostat Square**  
**Thermostatic mixer for concealed installation for 2 outlets**  
 Surfaces: **brushed bronze**    Art. no. : **15714140**



### Flowchart

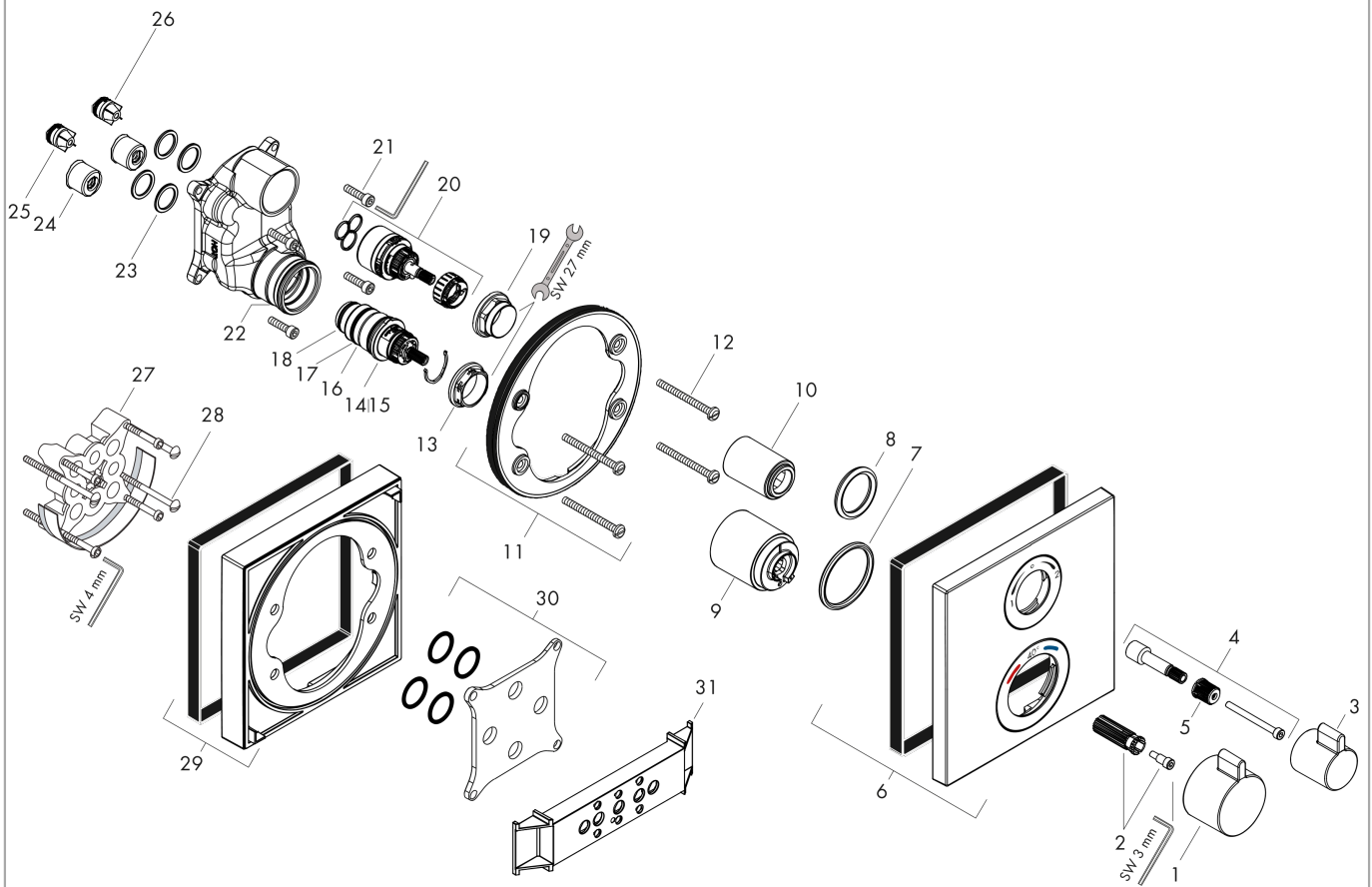


**Ecostat Square**  
**Thermostatic mixer for concealed installation for 2 outlets**  
 Surfaces: **brushed bronze**    Art. no. : **15714140**



## Exploded Drawing

Year of production: >07/19



**Ecostat Square**  
**Thermostatic mixer for concealed installation for 2 outlets**  
 Surfaces: **brushed bronze** Art. no. : **15714140**



## Spare part list

Year of production: >07/19

Pos.	Description	Art. no.	Price	PU
1	handle for thermostat	92215140	-	1
2	handle fixing set	95843000	-	1
3	handle	92281140	-	1
4	adapter for handle	95252000	-	1
5	handle fixing set	98932000	-	1
6	escutcheon 155 / 155 mm	93241140	-	1
7	O-ring 44x4	98471000	-	1
8	O-ring 30x5	98153000	-	1
9	sleeve	92216140	-	1
10	sleeve	95253140	-	1
11	holder for escutcheon	98793000	-	1
12	set of fixing screws	96454000	-	1
13	nut	98913000	-	1
14	thermostat cartridge	98282000	-	1
15	cartridge for exchanged connections	92373000	-	1
16	O-ring 25x2,5	92146000	-	1
17	O-ring 25x1,5	98146000	-	1
18	O-ring 20x1,5	98197000	-	1
19	nut	95255000	-	1
20	shut off unit with selector	98283000	-	1
21	set of screws	96525000	-	1
22	O-ring 36x2	98156000	-	1
23	O-ring 16x2	98133000	-	1
24	noise reduction	94073000	-	1
25	non return valve (pressure-resistant up to 2 MPa)	92594000	-	1
26	set of non return valves DW 15	97350000	-	1
27	extension 25 mm	13595000	-	1
28	set of fixing screws	97747000	-	1
29	extension 22 mm	13593140	-	1
30	compensation set 1°	95521000	-	1
31	fit-up aid	92540000	-	1
a	concealed item	01800180	-	1