

Raindance Select E Hand shower 120 3jet

Surfaces: **chrome** Art. no. : **26520000**



Description

product features

- Shower head size: 120 mm
- Spray pattern: RainAir, Rain, Whirl
- Select button to comfortably switch between spray modes
- Maximum flow rate (at 3 bar): 14.4 l/min
- minimum flow pressure: 1 bar
- Operating pressure: min. 1 bar/max. 6 bar
- with internal water conduction
- rinseable screen seal
- Connection thread 1/2"
- winner of the iF Product Design Award 2013

Article Details

Price excl. VAT

£ 94.07

Technology



Design awards



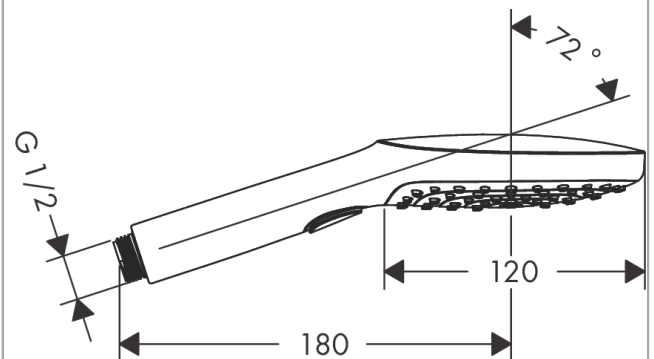
Certificates

kiwa

Product image



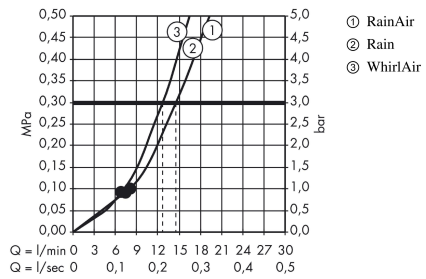
Scale drawing



Raindance Select E
Hand shower 120 3jet
 Surfaces: **chrome** Art. no. : **26520000**



Flowchart



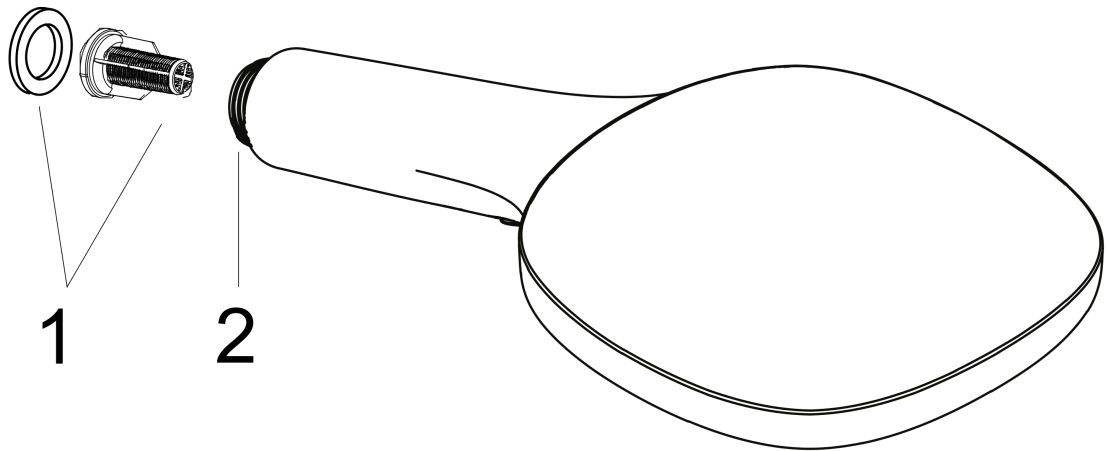
The consumption was measured in combination with the appropriate fittings (thermostat/mixer/in-wall valve) to reflect actual application in practice.

Raindance Select E
Hand shower 120 3jet
Surfaces: **chrome** Art. no. : **26520000**



Exploded Drawing

Year of production: >10/12



Raindance Select E
Hand shower 120 3jet
 Surfaces: **chrome** Art. no. : **26520000**



Spare part list

Year of production: >10/12

| Pos. | Description | Art. no. | Price | PU |
|------|---------------------|----------|-------|----|
| 1 | filter insert | 97708000 | - | 1 |
| 2 | pivoting connection | 93089000 | - | 1 |