

Raindance E

Overhead shower 300 1jet with shower arm

Surfaces: **chrome** Art. no. : **26238000**



Description

product features

- Consists of: overhead shower, shower arm
- Shower head size: 300 x 300 mm
- Spray pattern: RainAir
- Ball-joint: overhead shower angle adjustable
- Spray face: metal
- Shower arm length 390 mm
- maximum flow rate 17 l/min at 3 bar
- flow rate RainAir 17 l/min at 3 bar
- Operating pressure: min. 1.5 bar/max. 6 bar
- spray disc removable for cleaning
- Installation: wall
- Connection thread 1/2"
- WRAS 1809002
- WRAS 1809002
- WRAS 1809002

Article Details

Price excl. VAT

£ 628.60

Technology



Design awards



reddot winner 2020



reddot winner 2021



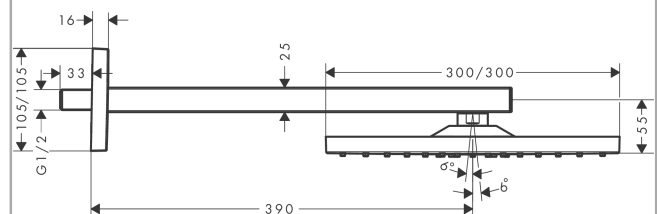
Certificates



Product image



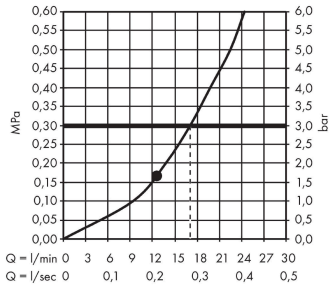
Scale drawing



Raindance E
Overhead shower 300 1jet with shower arm
 Surfaces: **chrome** Art. no. : **26238000**



Flowchart



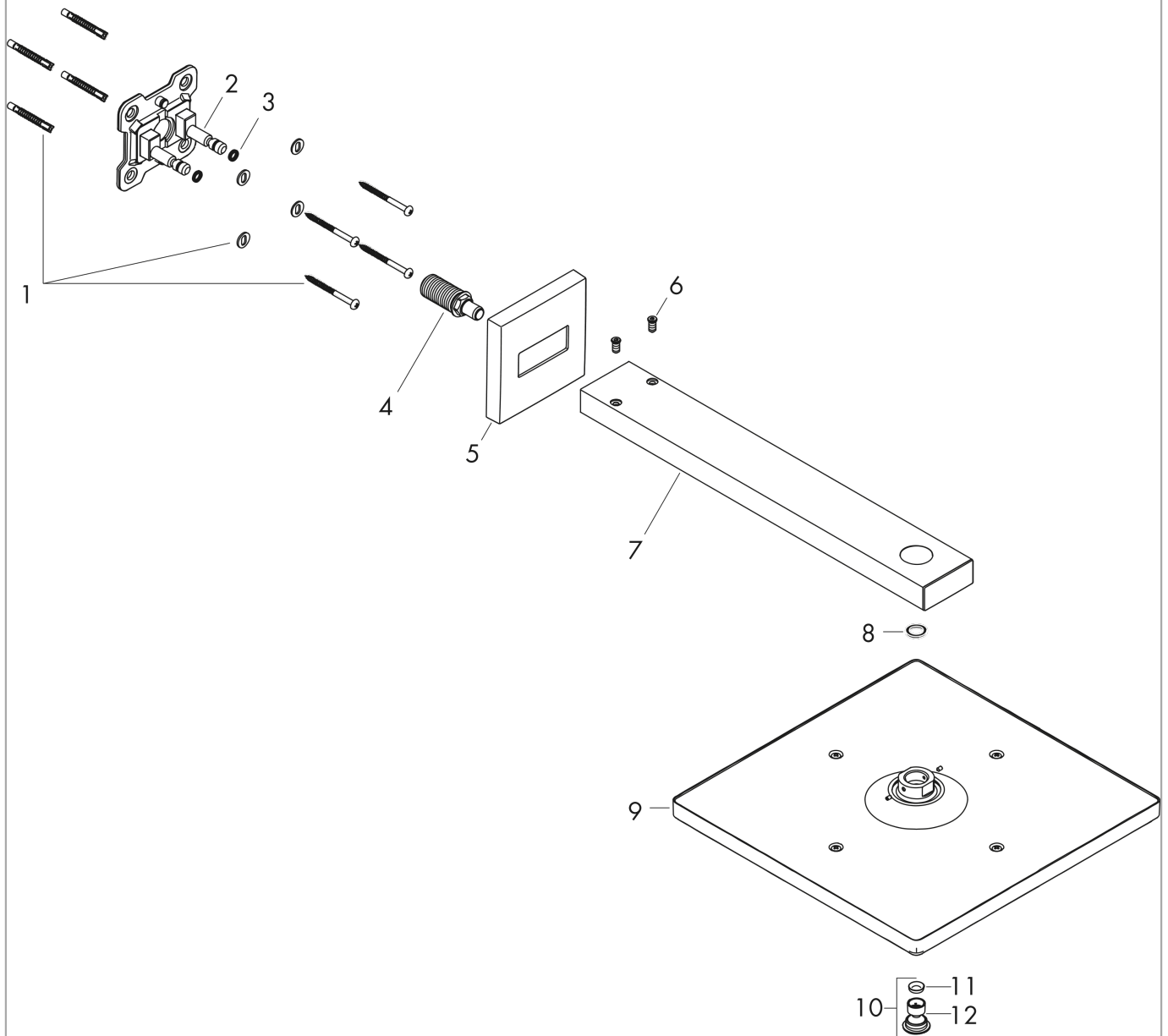
The consumption was measured in combination with the appropriate fittings (thermostat/mixer/ in-wall valve) to reflect actual application in practice.

Raindance E
Overhead shower 300 1jet with shower arm
 Surfaces: **chrome** Art. no. : **26238000**



Exploded Drawing

Year of production: >06/17



Raindance E
Overhead shower 300 1jet with shower arm
Surfaces: **chrome** Art. no. : **26238000**



Spare part list

Year of production: >06/17

Pos.	Description	Art. no.	Price	PU
1	mounting set	96179000	-	1
2	wall flange	93441000	-	1
3	O-ring 6x2	98458000	-	1
4	connecting thread	93416000	-	1
5	escutcheon	93126000	-	1
6	screw	93431000	-	1
7	shower arm	93221000	-	1
8	seal	98058000	-	1
9	head shower	93230000	-	1
10	air jet	93127000	-	1
11	filter	93128000	-	1
12	O-ring 15x2	98163000	-	1