

AXOR One Overhead shower 280 1jet with ceiling connection



product features

- Consists of: overhead shower, ceiling connector
- Shower head size: 280 mm
- Spray pattern: PowderRain and Rain in combination
- Ball-joint: overhead shower angle adjustable
- Spray face: metal
- brass ceiling connector
- Ceiling connection length: 120 mm
- maximum flow rate 12.2 l/min at 3 bar
- flow rate PowderRain and Rain spray in combination (at 3 bar): 12.2 l/min
- Function from: 9.2 l/min
- Operating pressure: min. 1.5 bar/max. 10 bar
- overhead shower removable for cleaning
- Installation: ceiling
- Connection thread 1/2"
- WRAS 2207323
- WRAS 2207323

Article Details

Technology



Design awards



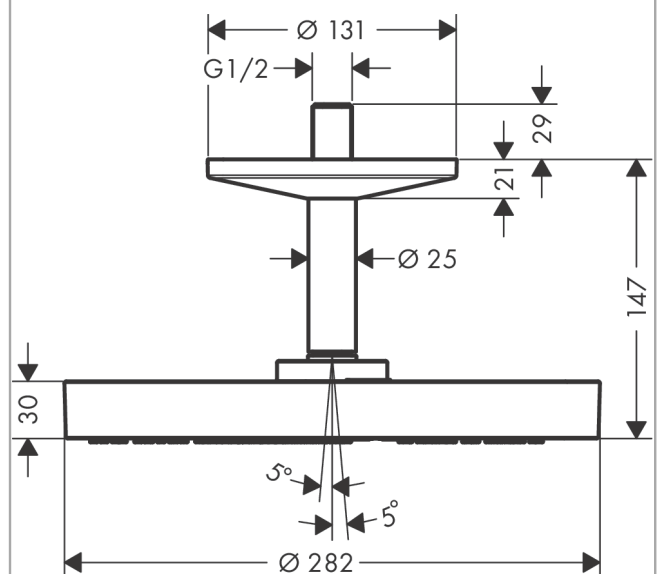
Certificates



Product image



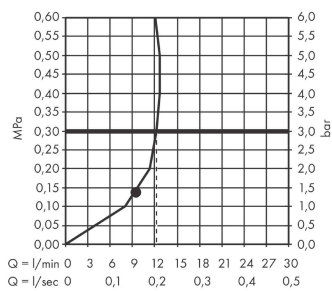
Scale drawing



AXOR One Overhead shower 280 1jet with ceiling connection



Flowchart



The consumption was measured in combination with the appropriate fittings (thermostat/mixer/
in-wall valve) to reflect actual application in practice.

AXOR One
Overhead shower 280 1jet with ceiling connection



Exploded Drawing

Year of production: >04/21

