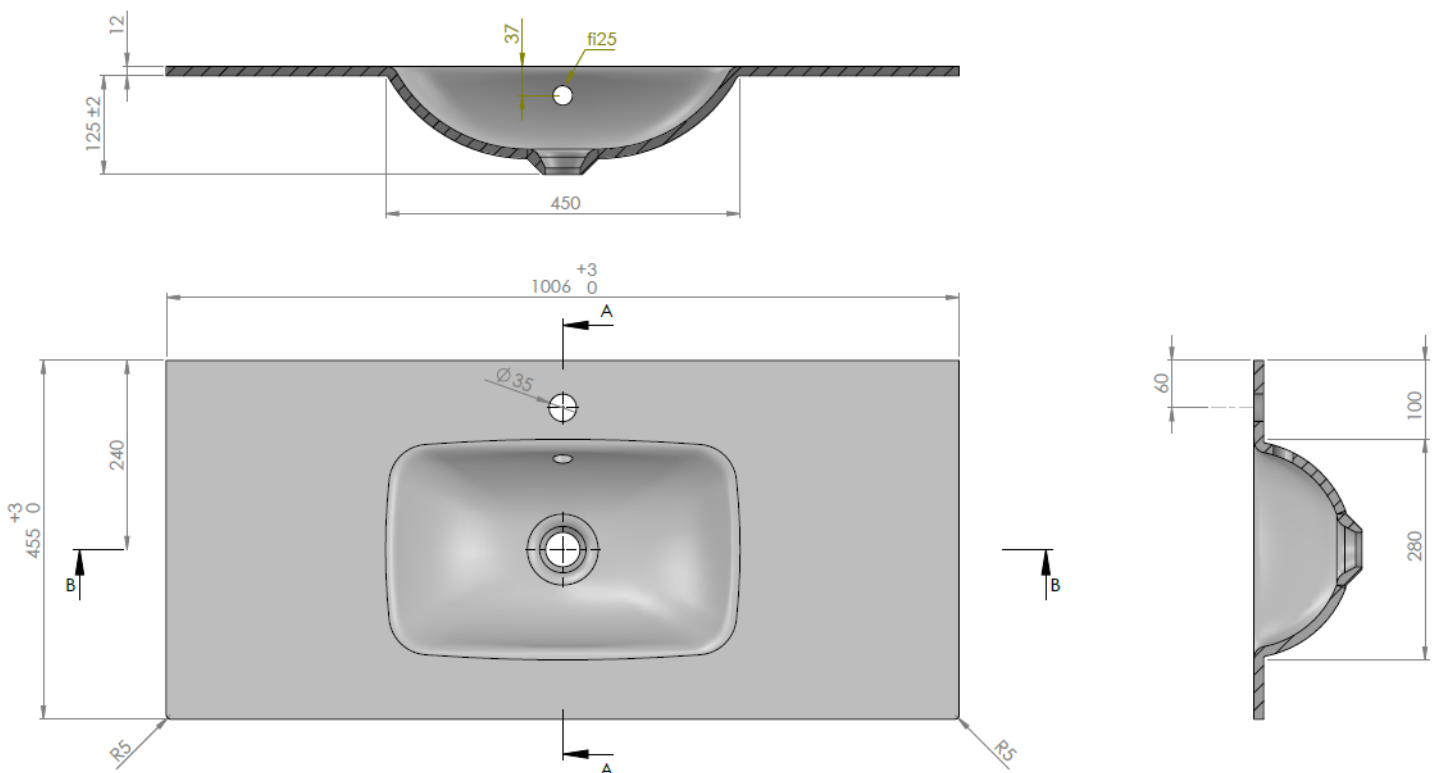


GLIDE II 1000mm Glass Basin



TECHNICAL DATA		SPECIFICATION
CODE No	GL1010SMB - No tap hole GL1011SMB - Single tap hole	Furniture basin EN 31/EN 14688 – CL 0 Dimensions w 1006 x d 455 x h 12mm Tested in accordance with EN 14688:2009, 4.3 Maximum water Temperature 70°C
Compatible with:	GL1000Dxx+	
Recommended use	Domestic, hotel, residential	
Material	Low Iron Soda Lime Silicate Glass EN572-9:2005	
Standards	EN 14688 – CL 0 EN31	
Required Fitting:	Universal Basin Waste BSW0260C-PRO0260X	
Colour	Matt finish Midnight Black	
Specification	1 centre tap hole or no tap hole Over flow, including matt black overflow cover	
Fixing	Furniture carcass only	
Weight	14.2Kg	
Warranty	10 years	



Sizes detailed could have a variation of about +/-5 % due to the changes to material characteristics during the firing processes. Exact measurements for individual installations can only be taken from the finished basin.