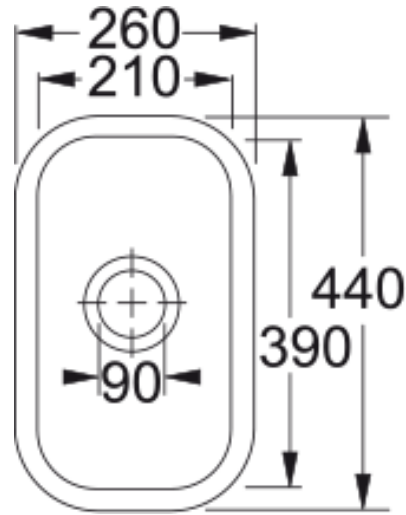


FRANKE BY V&B VBK 110 21 White



Technical Data

Product Information

Sink Type	bowl (no drainer)
Type of material	ceramic
Number of Bowls	1
Color	glacier
Finish	glossy

Dimensions

External size: right to left	260.0
External size: front to back	440.0
Bowl 1 size: right to left	210.0
Bowl 1 size: front to back	390.0
Bowl 1: depth	180.0
Cutout size standard: R to L	196.0
Cutout size standard: F to B	376.0

Installation

Minimum Cabinet Size	50 cm
----------------------	-------

Product specifications

Installation type	undermount
Waste Outlet	3 1/2"
Position of Drainer	no drainer

Article Number

Product brand	FRANKE
Product family	None
Range	V & B
Approval logo	CE
Approval logo	UKCA

Properties

Number of drainers	none
--------------------	------

Features

Product reversibility	no
Tap Ledge	no
Waste Kit included	yes
Waste Kit type	manual
Siphon included	no
Number of tap holes	none
Soap Dispenser Hole	no