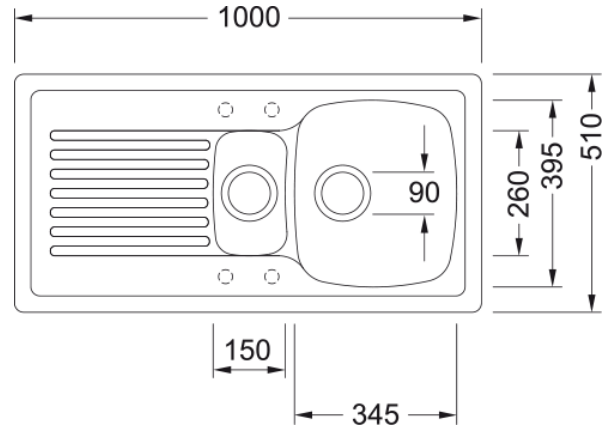


ELBA ELK 651 REV White



Technical Data

Product Information

| | |
|------------------|-------------------|
| Sink Type | sink (w/ drainer) |
| Type of material | ceramic |
| Number of Bowls | 1,5 |
| Color | glacier |
| Finish | glossy |

Dimensions

| | |
|------------------------------|--------|
| External size: right to left | 1000.0 |
| External size: front to back | 510.0 |
| Bowl 1 size: right to left | 345.0 |
| Bowl 1 size: front to back | 395.0 |
| Bowl 1: depth | 185.0 |
| Bowl 2 size: right to left | 150.0 |
| Bowl 2 size: front to back | 260.0 |
| Bowl 2: depth | 100.0 |
| Cutout size standard: R to L | 970.0 |
| Cutout size standard: F to B | 470.0 |

Installation

| | |
|----------------------|-------|
| Minimum Cabinet Size | 60 cm |
|----------------------|-------|

Product specifications

| | |
|---------------------|--------------------|
| Installation type | inset |
| Waste Outlet | 3 1/2" |
| Position of Drainer | reversible drainer |

Article Number

| | |
|----------------|--------|
| Product brand | FRANKE |
| Product family | None |
| Range | Elba |
| Approval logo | CE |

Features

| | |
|-----------------------|--------|
| Approval logo | UKCA |
| Properties | |
| Number of drainers | 1 |
| Product reversibility | yes |
| Tap Ledge | no |
| Waste Kit included | yes |
| Waste Kit type | manual |
| Siphon included | no |
| Number of tap holes | 2 |
| Soap Dispenser Hole | no |