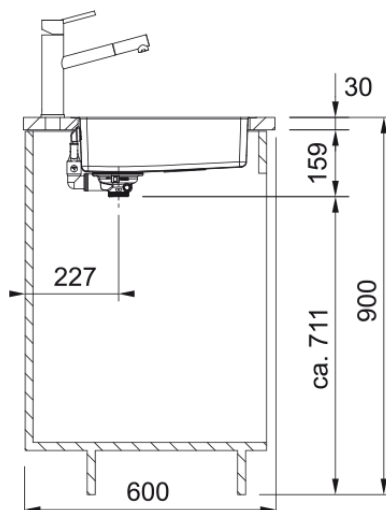


MARIS BOWL MRX 210-19



Technical Data

Product Information

Sink type	Bowl (no drainer)
Type of material	Stainless steel
Number of bowls	1
Color	Steel
Finish	Brushed

Dimensions

External size: right to left	230.0
External size: front to back	440.0
Bowl 1 size: right to left	190.0
Bowl 1 size: front to back	400.0
Bowl 1: depth	130.0
Cutout size: right to left	200.0
Cutout size: front to back	410.0

Installation

Minimum Cabinet Size	40 cm
----------------------	-------

Product specifications

Installation type	Flushmount
Waste outlet	3 1/2"
Position of drainer	No drainer

Article Number

Product brand	FRANKE
Product family	Maris
Model range	Maris
Approval logo	CE
Approval logo	UKCA

Properties

Drainers number	No drainer
-----------------	------------

Features

Product reversibility	No
Tap ledge	No
Waste kit include	Yes
Waste kit type	Manual
Siphon included	No
Number of tap holes	No tap hole
Soap dispenser hole	No