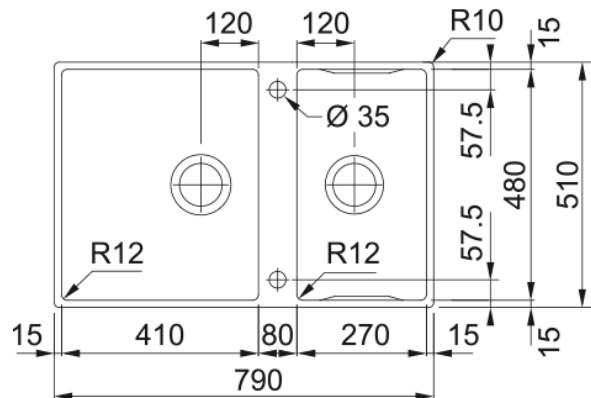


BOX CENTER BWX 220 41-27 REV



Box Center brings the sink and accessories together, creating a truly wonderful and unique kitchen workstation.

This compact combination is the perfect for people who demand efficiency, optimum use of space and distinctive design.

Technical Data

Product Information

Sink Type	bowl (no drainer)
Type of material	Stainless steel
Number of Bowls	2
Color	Steel
Finish	brushed

Dimensions

External size: right to left	790.0
External size: front to back	510.0
Bowl 1 size: right to left	410.0
Bowl 1 size: front to back	480.0
Bowl 1: depth	200.0
Bowl 2 size: right to left	270.0
Bowl 2 size: front to back	480.0
Bowl 2: depth	200.0
Cutout size standard: R to L	770.0
Cutout size standard: F to B	490.0

Installation

Minimum Cabinet Size	90 cm
----------------------	-------

Product specifications

Installation type	flushmount
Installation type	slimtop
Waste Outlet	3 1/2"
Position of Drainer	no drainer

Article Number

Product brand	FRANKE
Product family	Mythos
Range	Box Center

Features

Approval logo	CE
Approval logo	UKCA
Properties	
Number of drainers	none
Product reversibility	yes
Tap Ledge	yes
Waste Kit included	no
Waste Kit type	no wastekit
Siphon included	no
Number of tap holes	2
Soap Dispenser Hole	no