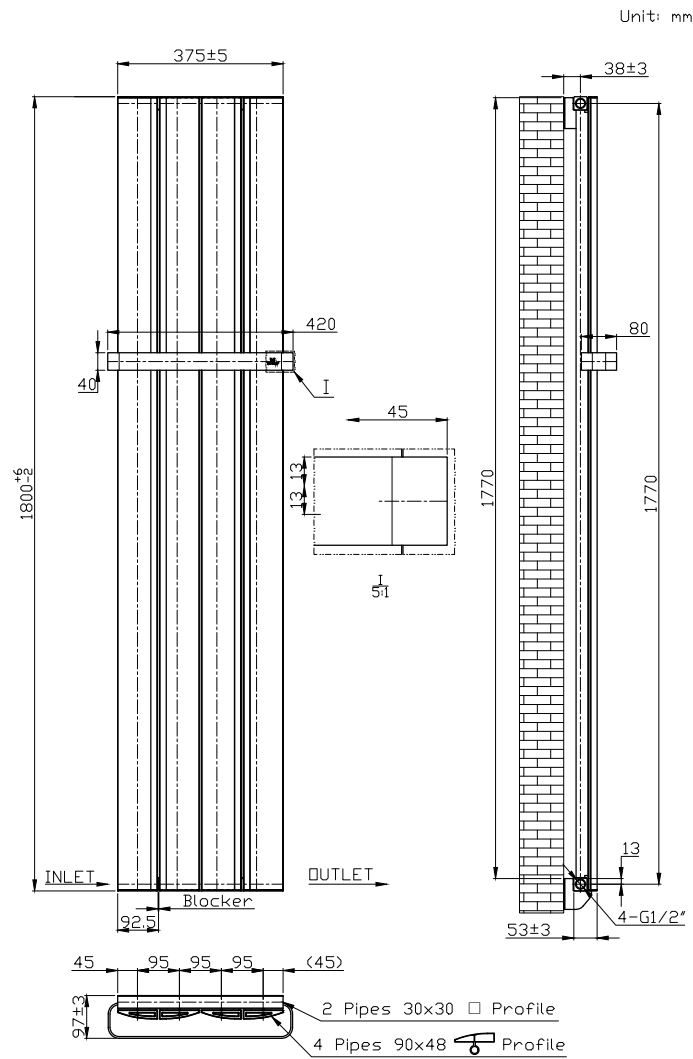


# Malaga - Anthracite



Size mm	Pipe Centres	BTU Δ 50°C	BTU Δ 60°C
H 1800 x W 375	465*	3752	4388

Aluminium Heated Towel Rail



Please note due to manufacturing tolerances pipe centres may vary by +/- 10mm, we recommend that pipe work is not altered until your towel rail / radiator is on site.  
dimensions are provided as a guide only. We pursue a policy of continuing improvement in design and performance of our products and so reserve the right to change specifications without prior notice.

The information contained on this page was correct at date of issue. Fitting dimensions are provided as a guide only. We pursue a policy of continuing improvement in design and performance of our products and so reserve the right to change specifications without prior notice.