

Circus Counter Basin

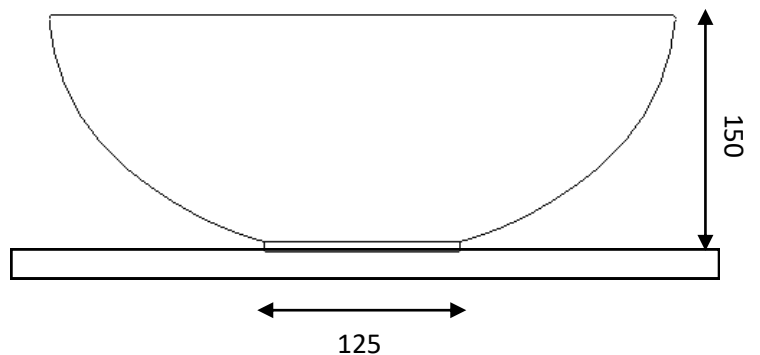
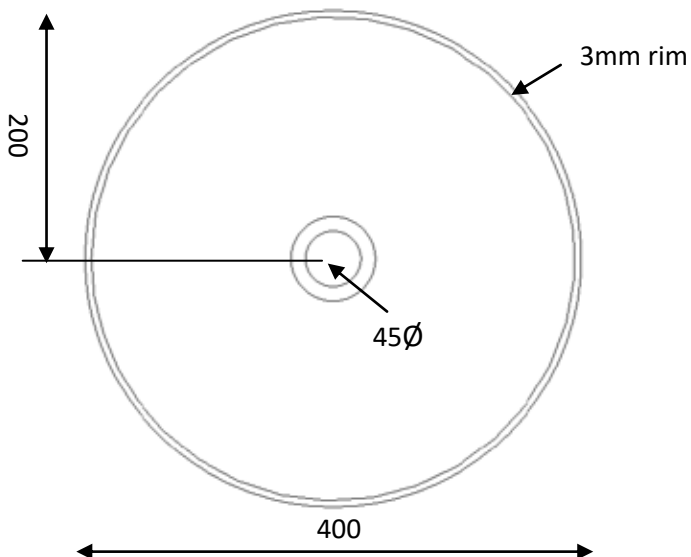


TECHNICAL DATA

CODE No	CT4084UCF
Recommended use	Domestic, hotel, residential
Application	Countertop only
Material	Vitreous China
Standards	EN 14688 – CL 00 No overflow
Colour	Matt Brushed Brass effect exterior, matt cru interior finish
Specification	Counter top, NO tap hole No Overflow
Fixing	Counter top only
Weight	6.5 kg
Warranty	2 years (25 years when registered)

SPECIFICATION

Dimensions w 400Ø x h 150mm
No Overflow
Hand glazed and finished



Sizes detailed could have a variation of about +/-5 % due to the changes to material characteristics during the firing processes. Exact measurements for individual installations can only be taken from the finished ceramic