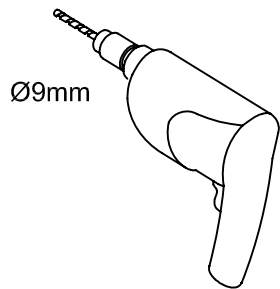
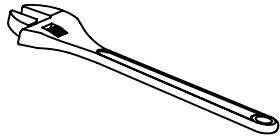
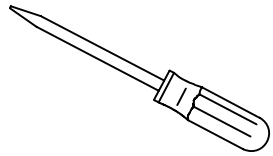
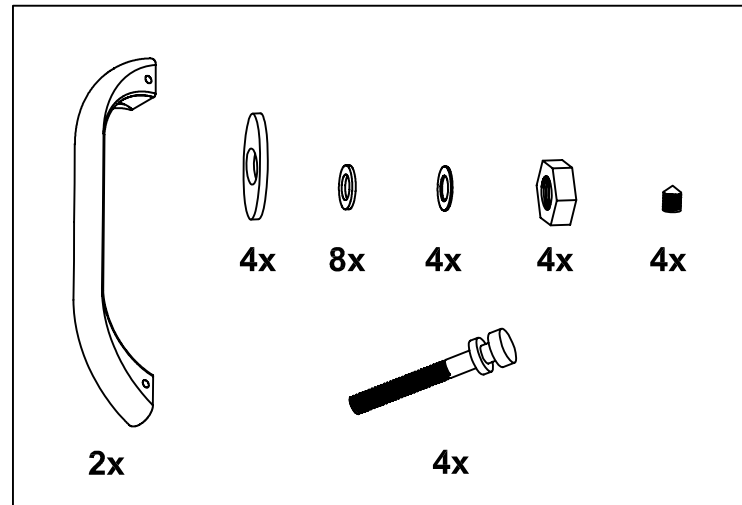


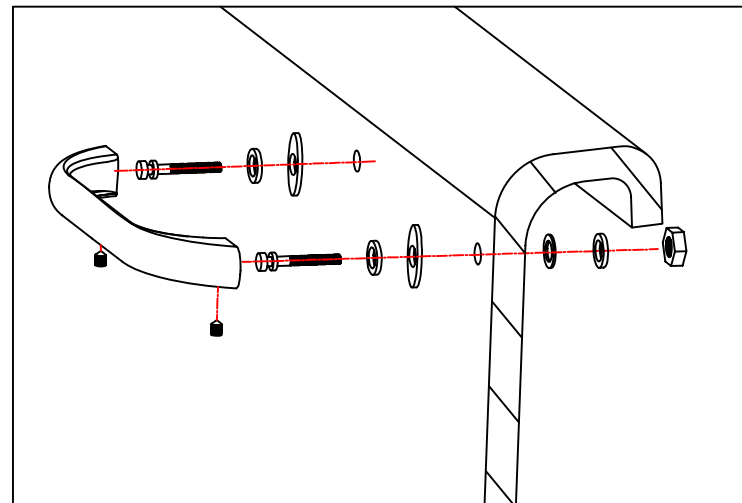
Tools Required:



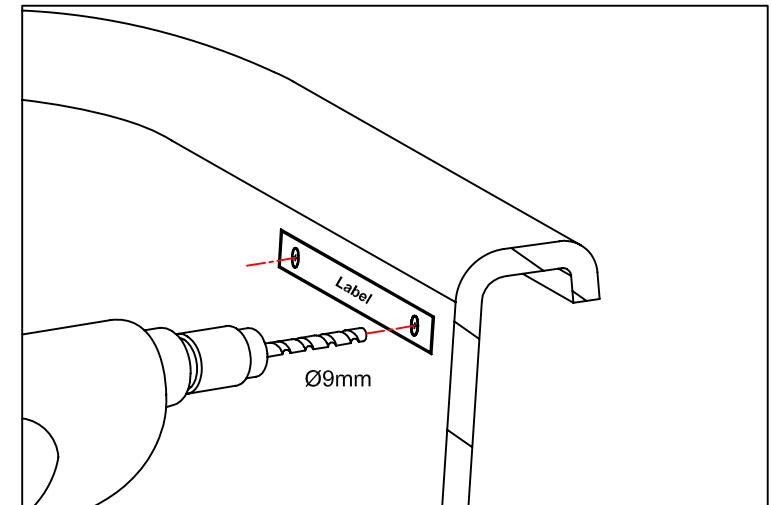
Note: Fitting of Bath Grip should be performed prior to bath-tub installation.



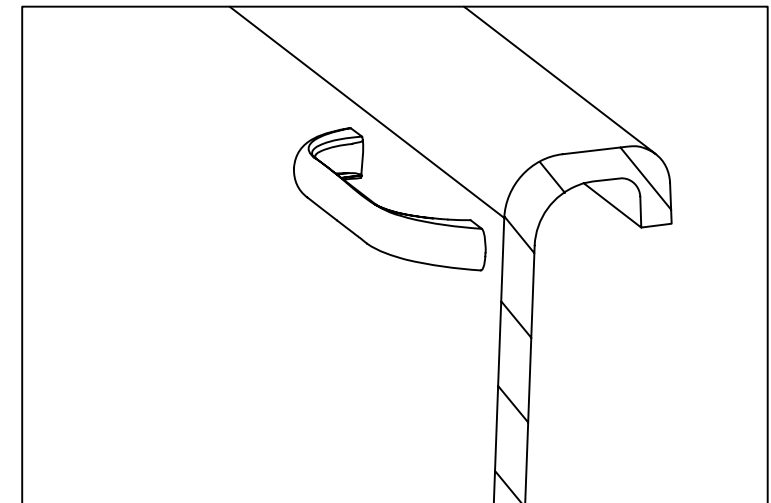
Prior to installation check that all fittings have been supplied.



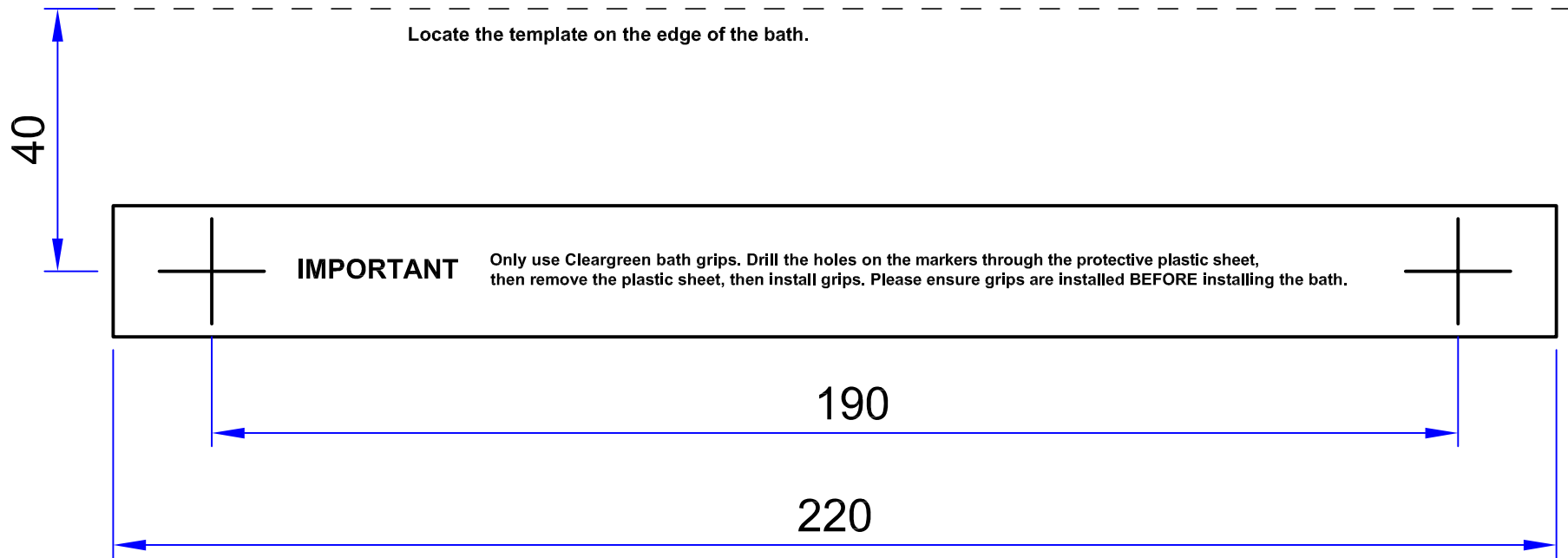
Remove the template, and install the bath grips to the bath.



Use the template on page 2 and drill the 4 holes accordingly.



Tighten the nut using the wrench. Don't over tighten as this may cause damage to bath.



Standard chrome grips(pair) 190mm R37