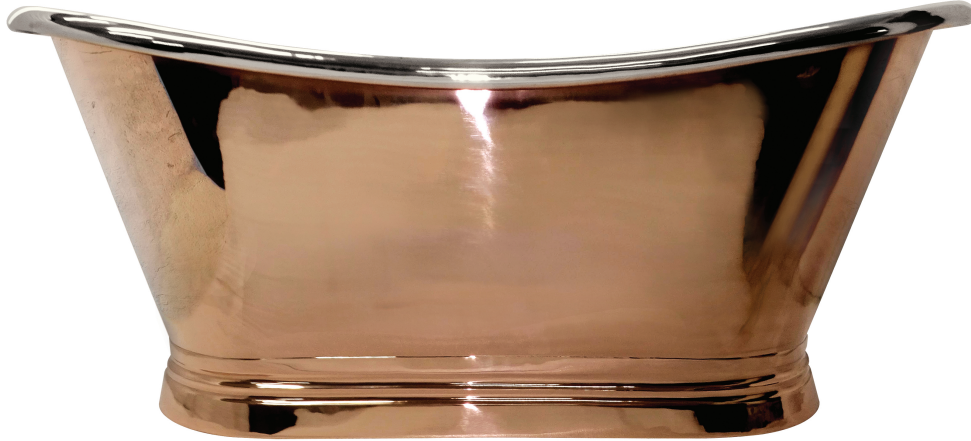


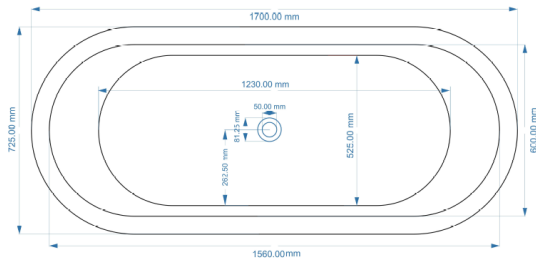
## CUSTOMER SPECIFICATION SHEET - BATHS

SALES CODE: BAC010

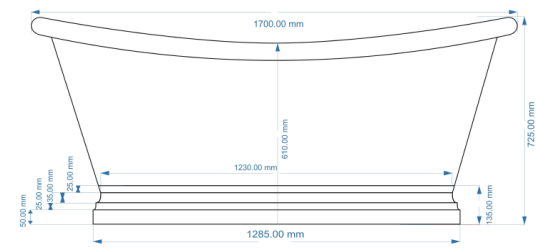
DESCRIPTION 1700 COPPER NICKEL BOAT BATH- COPPER/NICKEL



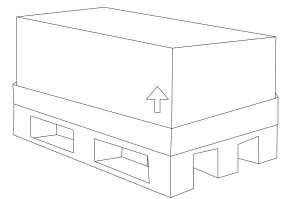
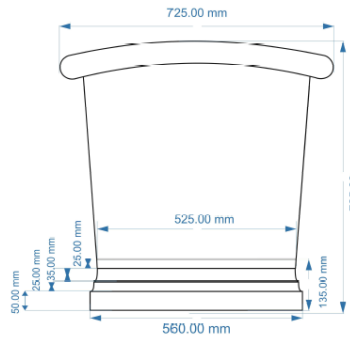
Top View



Front View



Side View



### PRODUCT DIMENSIONS

Length (mm)	Width (mm)	Depth (mm)	Nett Wgt Kg
1700	725	725	50

### PACKAGING DIMENSIONS

Length (mm)	Width (mm)	Depth (mm)	Gross Wgt Kg
1830	840	820	58.3

### PACKAGING DATA

Box Colour	Brown Cardboard		
Box Qty	1	Label Colour	White
Label Size	100 x 50	Label Qty	1

### OUTER BOX DIMENSIONS (If Applicable)

Length (mm)	Width (mm)	Height (mm)	Gross Wgt Kg
1830	840	820	58.3
Barcode			

### PRODUCT DETAILS

Country of Origin	India	Certification	FSC	CE
Fitting Instruction	No	Material Colour Ref	Copper	
Product Material	Copper/Nickel			
Volume (Ltr)	190			
Leg Set Inc'	Legset Not Included	Waste Inc'	Waste Not Included	
Drilled/Undrilled	Undrilled For Taps	Includes Grips	No Grips Supplied	
Embossed	No	No of Tapholes	None	
Anti-Slip	No			