

## AXOR Universal Circular Shelf 400

Surfaces: **Chrome** Article Number: **42844000**



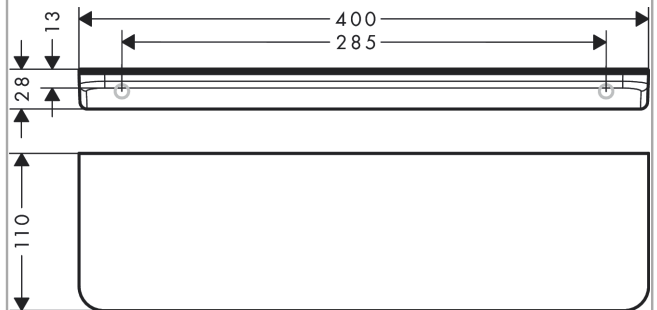
### product features

- wall-mounted
- material frame: solid brass
- material shelf: metal
- length: 400 mm
- with mounting material
- concealed fastening
- drilling distance: 340 mm
- diameter drill hole: 6 mm
- suitable for shower

### Product image



### Scale drawing



## AXOR Universal Circular

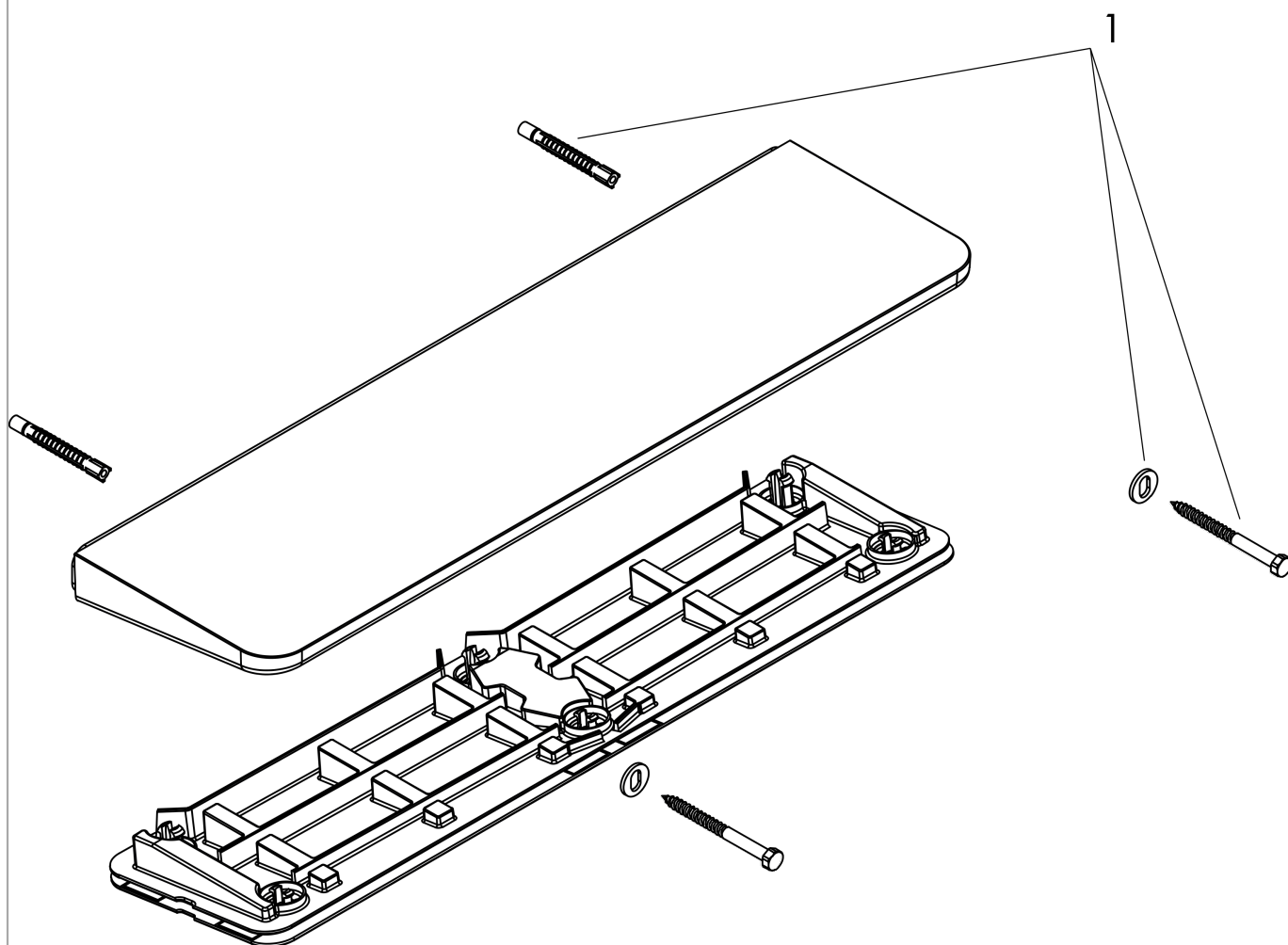
### Shelf 400

Surfaces: **Chrome** Article Number: **42844000**



## Exploded Drawing

Year of production: >10/21



**AXOR Universal Circular****Shelf 400**Surfaces: **Chrome** Article Number: **42844000****Spare part list**

Year of production: &gt;10/21

<b>Pos.</b>		<b>Article Number</b>	<b>Price</b>	<b>PU</b>
1	mounting set	98716000	€ 13,92	1