

AXOR One Single lever basin mixer 70 with lever handle and waste set



product features

- Consists of: single lever basin mixer, waste set
- ComfortZone 70 provides space for greater freedom of movement
- free-standing installation
- spout 130 mm long
- Spray pattern: normal spray
- Maximum flow rate (at 3 bar): 5 l/min
- ceramic cartridge
- free flow non-closing waste
- Material waste set: metal

Article Details

Technology



Design awards



Certificates



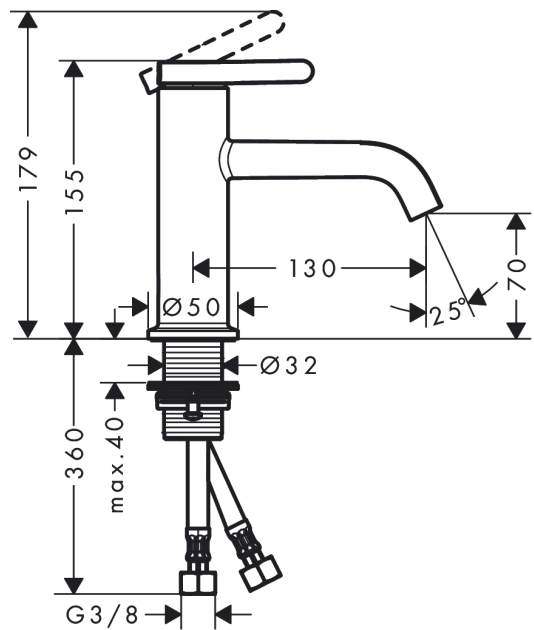
AXOR One
Single lever basin mixer 70 with lever handle and waste set



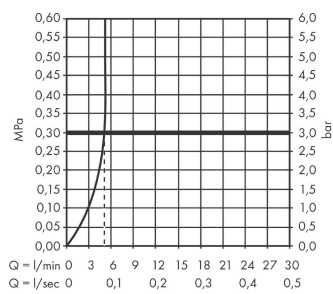
Product image



Scale drawing



Flowchart

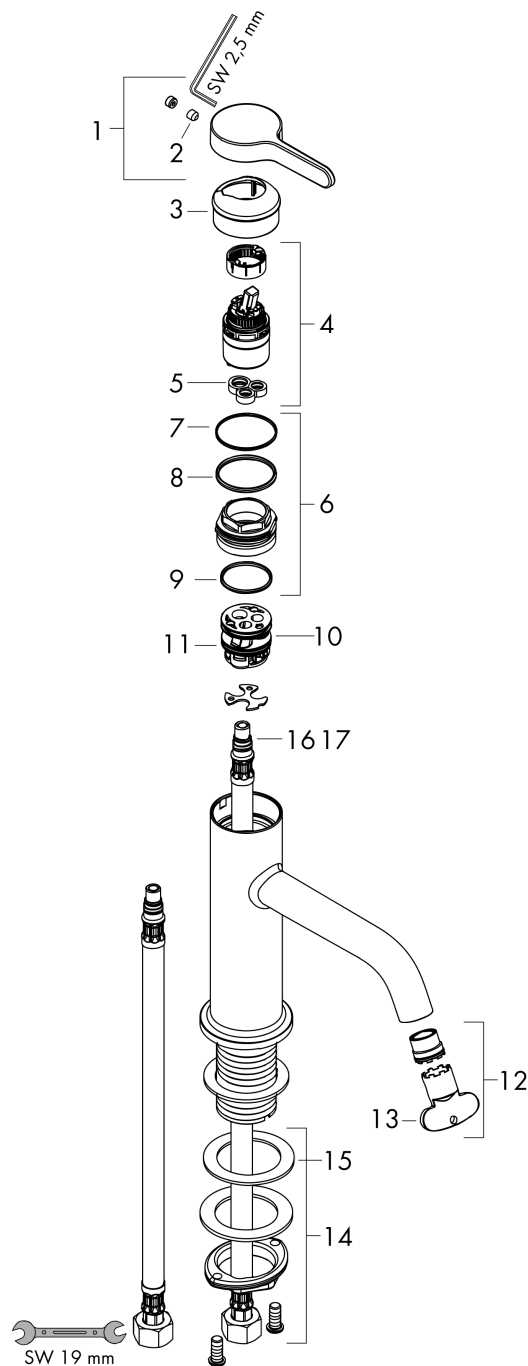


AXOR One
Single lever basin mixer 70 with lever handle and waste set



Exploded Drawing

Year of production: >04/21



AXOR One
Single lever basin mixer 70 with lever handle and waste set



Spare part list

Year of production: >04/21

Pos.		Art. no.	Price	PU
1	handle	93968000	-	1
2	hollow set screw M5x5	98446000	-	1
3	flange	93737000	-	1
4	cartridge, assy	93760000	-	1
5	seal	93383000	-	1
6	nut	92926000	-	1
7	O-ring 30x1,5	98433000	-	1
8	O-ring 29x2	98391000	-	1
9	O-ring 25x1,5	98146000	-	1
10	adapter for cartridge	98866000	-	1
11	O-ring 23x2	98398000	-	1
12	aerator cpl.	93118000	-	1
13	special tool	98987000	-	1
14	fixing set (Ø 32)	13961000	-	1
15	lever collar	97548000	-	1
16	connection hose 450 mm M8x0,75 G3/8	97206000	-	1
17	O-ring 7x1,5	98422000	-	1
a	pop up waste	51301000	-	1
b	fixation extension 35 mm	13898000	-	1