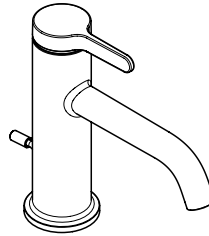
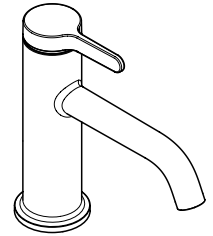


# AXOR

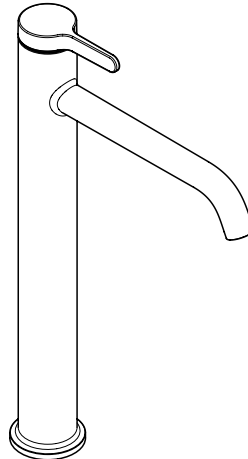
DE /	Gebrauchsanleitung / Montageanleitung	02
FR /	Mode d'emploi / Instructions de montage	03
EN /	Instructions for use / Assembly instructions	04
IT /	Istruzioni per l'uso / Istruzioni per l'installazione	05
ES /	Modo de empleo / Instrucciones de montaje	06
NL /	Gebruiksaanwijzing / Handleiding	07
DK /	Brugsanvisning / Monteringsvejledning	08
PT /	Instruções para uso / Manual de Instalação	09
PL /	Instrukcja obsługi / Instrukcja montażu	10
CS /	Návod k použití / Montážní návod	11
SK /	Návod na použitie / Montážny návod	12
ZH /	用户手册 / 组装说明	13
RU /	Руководство пользователя / Инструкция по монтажу	14
FI /	Käyttöohje / Asennusohje	15
SV /	Bruksanvisning / Monteringsanvisning	16
LT /	Vartotojo instrukcija / Montavimo instrukcijos	17
HR /	Upute za uporabu / Uputstva za instalaciju	18
TR /	Kullanım kılavuzu / Montaj kılavuzu	19
RO /	Manual de utilizare / Instrucțiuni de montare	20
EL /	Οδηγίες χρήσης / Οδηγία συναρμολόγησης	21
SL /	Navodilo za uporabo / Navodila za montažo	22
ET /	Kasutusjuhend / Paigaldusjuhend	23
LV /	Lietošanas pamācība / Montāžas instrukcija	24
SR /	Uputstvo za upotrebu / Uputstvo za montažu	25
NO /	Bruksanvisning / Montasjeveiledning	26
BG /	Инструкция за употреба / Ръководство за монтаж	27
SQ /	Udhëzuesi i përdorimit / Udhëzime rreth montimit	28
AR /	تعليمات التجميع / دليل الاستخدام	29
HU /	Használati útmutató / Szerelési útmutató	30
JP /	取扱説明書 / 施工説明書	31



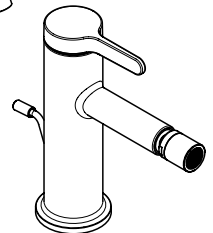
AXOR One 70  
48000XXX



AXOR One 70  
48001XXX



AXOR One 260  
48002XXX



AXOR One  
48210XXX

INSTALLATION

## △ SAFETY NOTES

- △ Gloves should be worn during installation to prevent crushing and cutting injuries.
- △ The product may only be used for bathing, hygienic and body cleaning purposes.
- △ The hot and cold supplies must be of equal pressures.

## INSTALLATION INSTRUCTIONS

- / Prior to installation, inspect the product for transport damages. After it has been installed, no transport or surface damage will be honoured.
- / The pipes and the fixture must be installed, flushed and tested as per the applicable standards.
- / The plumbing codes applicable in the respective countries must be observed.
- / The drain valve must only be used as intended. It is not allowed to attach other objects to the drain valve, for example a semi-pedestal.
- / If the instantaneous water heater causes problems or if you wish to increase the water flow, the EcoSmart® (flow limiter) located behind the aerator can be removed.

## TECHNICAL DATA

This mixer series-produced with EcoSmart® (flow limiter)

Operating pressure: max. 1 MPa

Recommended operating pressure: 0,1 - 0,5 MPa

Test pressure: 1,6 MPa

(1 MPa = 10 bar = 147 PSI)

Hot water temperature: max. 60°C

Thermal disinfection: 70°C / 4 min

The product is exclusively designed for drinking water!

## SYMBOL DESCRIPTION



Do not use silicone containing acetic acid!



ADJUSTMENT (see page 34)

To adjust the hot water limiter. Using a hot water limiter in combination with a continuous flow water heater is not recommended.



DIMENSIONS (see page 36)



FLOW DIAGRAM (see page 37)

① with EcoSmart®

② without EcoSmart®



SPARE PARTS (see page 35)

XXX = Colors

000 = Chrome Plated

670 = Matt Black

SPECIAL ACCESSORIES  
(order as an extra)



/ special tool #58085000 (see page 32)



/ Installation putty (see page 33)



CLEANING (see page 38)



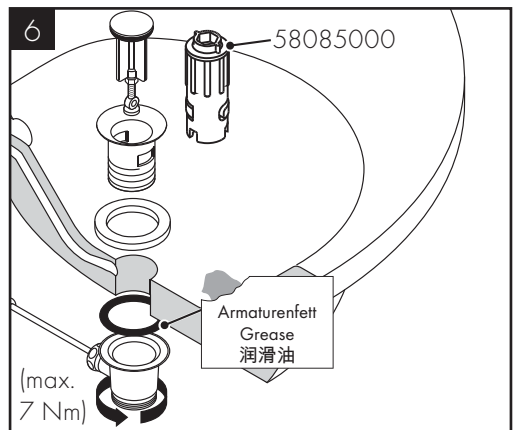
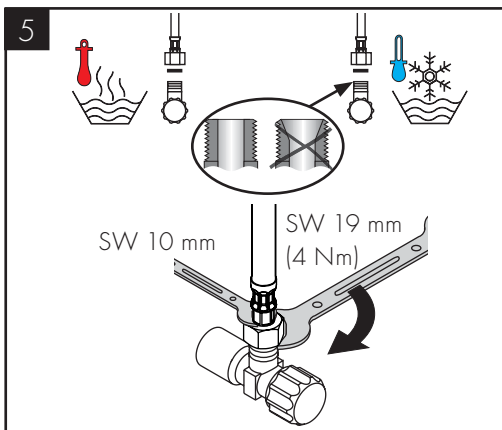
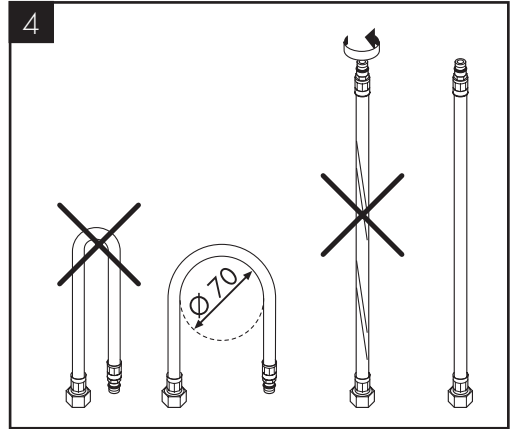
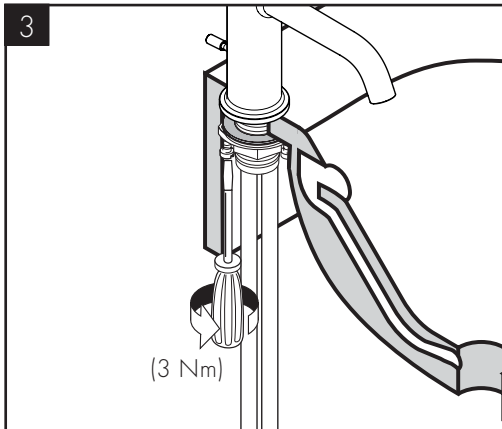
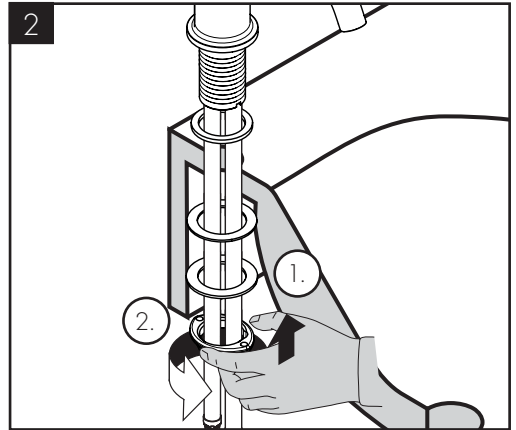
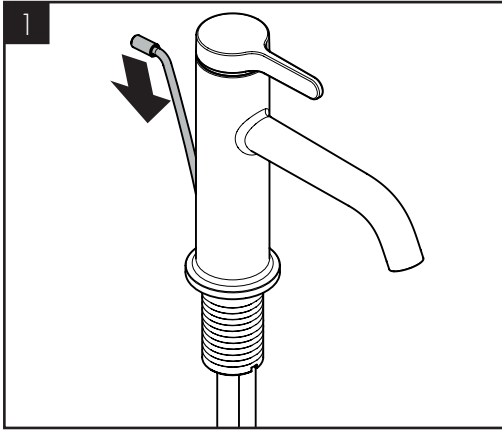
OPERATION (see page 37)

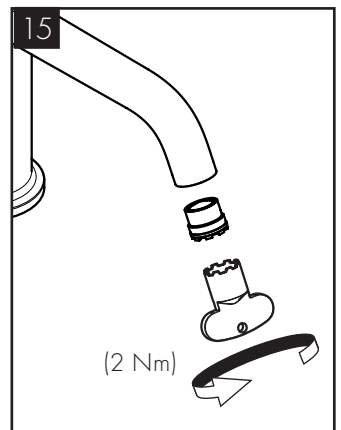
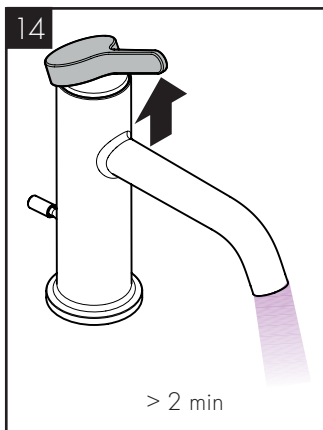
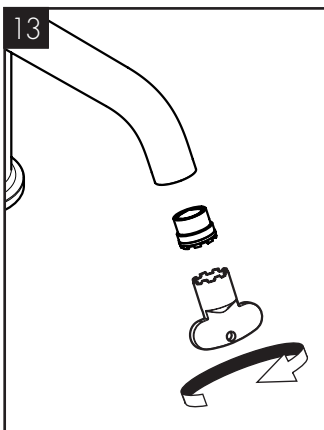
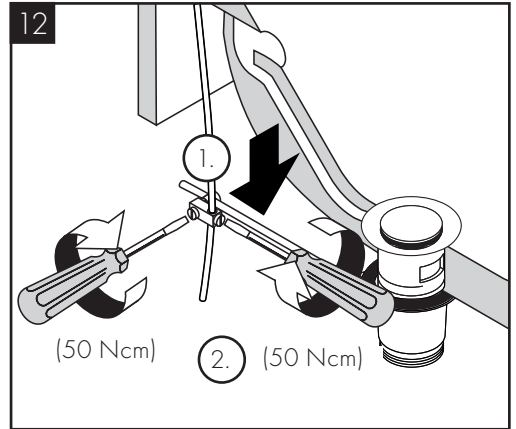
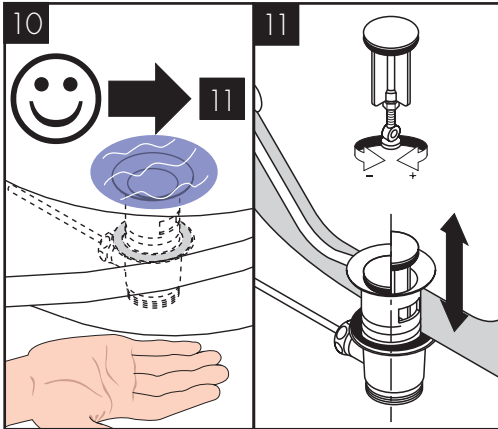
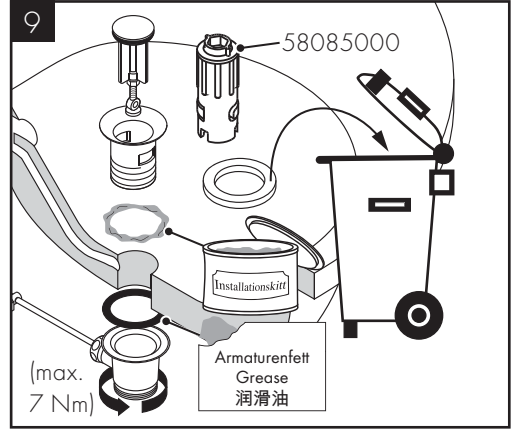
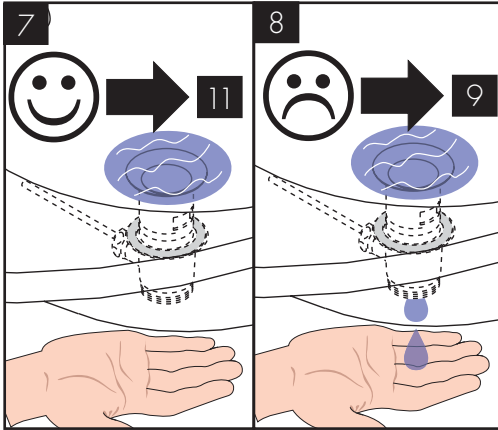
Hangrohe recommends not to use as drinking water the first half liter of water drawn in the morning or after a prolonged period of non-use.

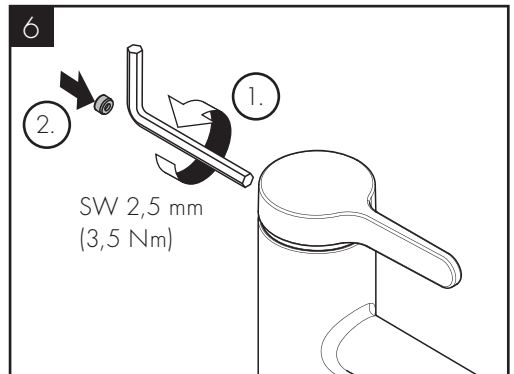
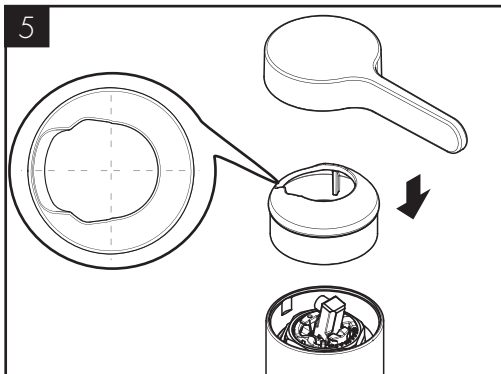
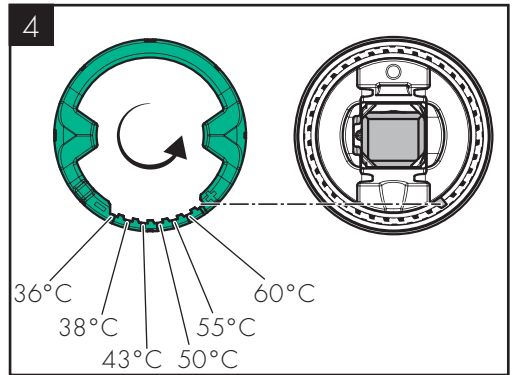
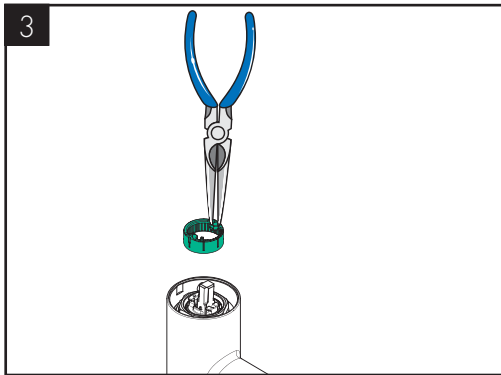
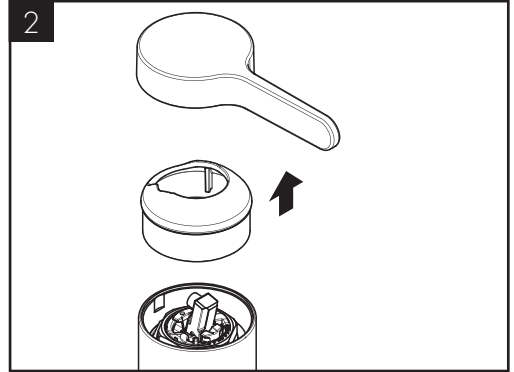
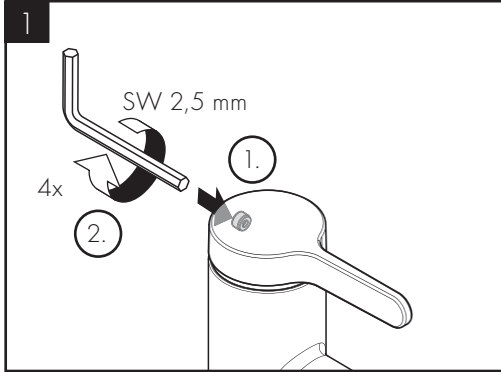


TEST CERTIFICATE (see page 39)



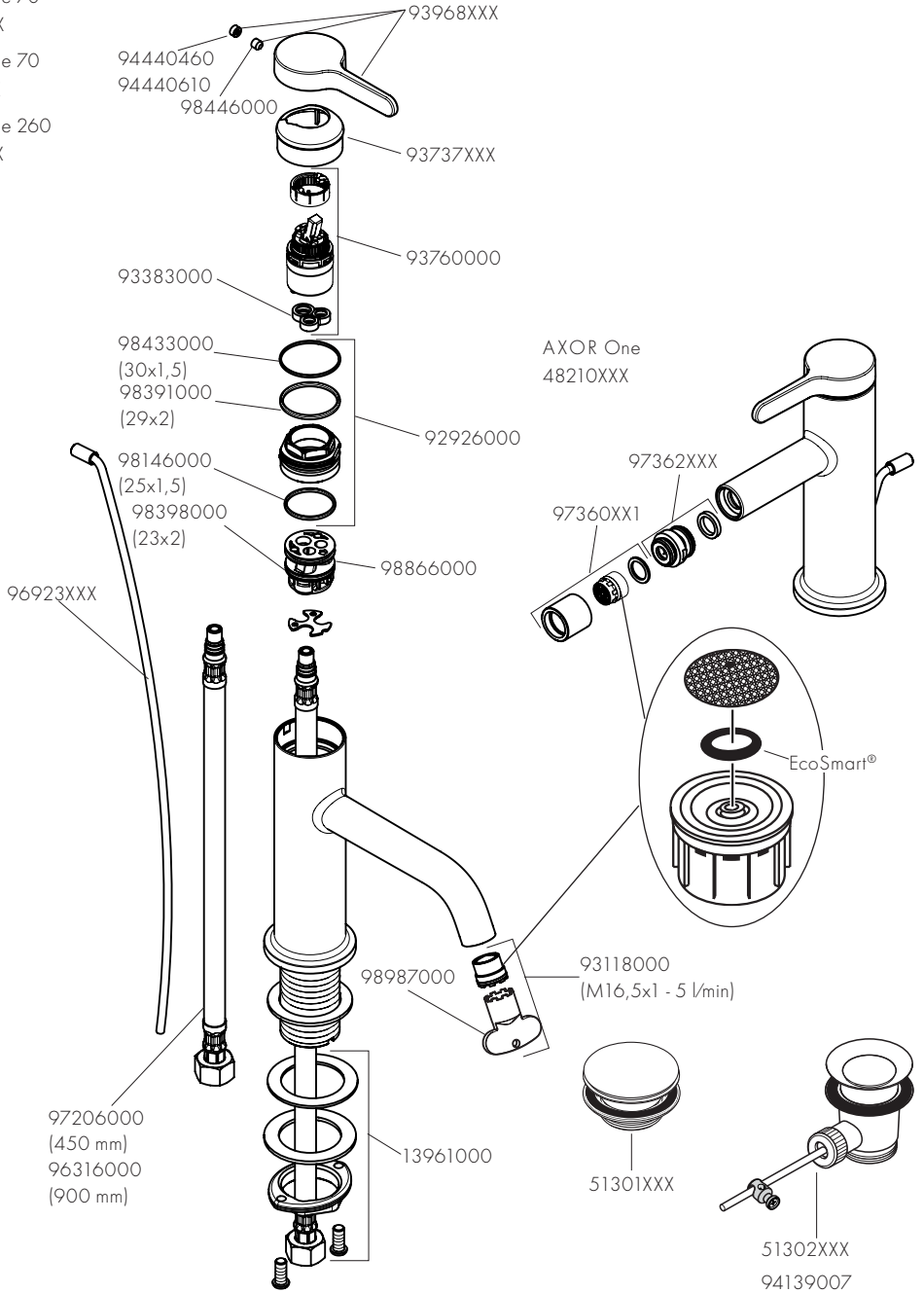






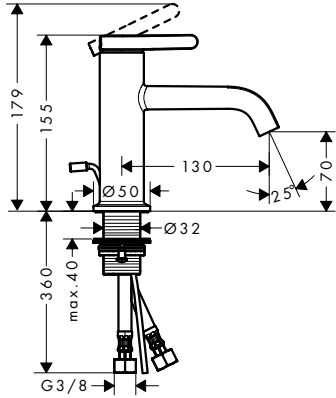


AXOR One 70  
48000XXX  
AXOR One 70  
48001XXX  
AXOR One 260  
48002XXX

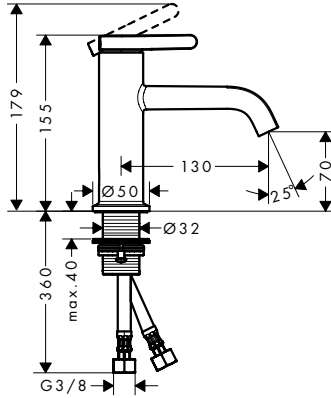




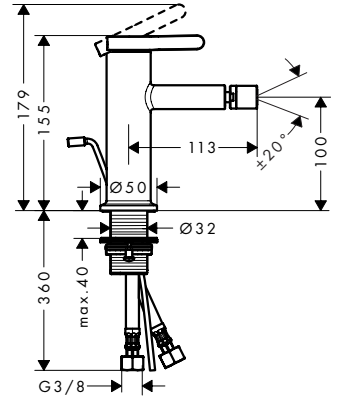
AXOR One 70  
48000XXX



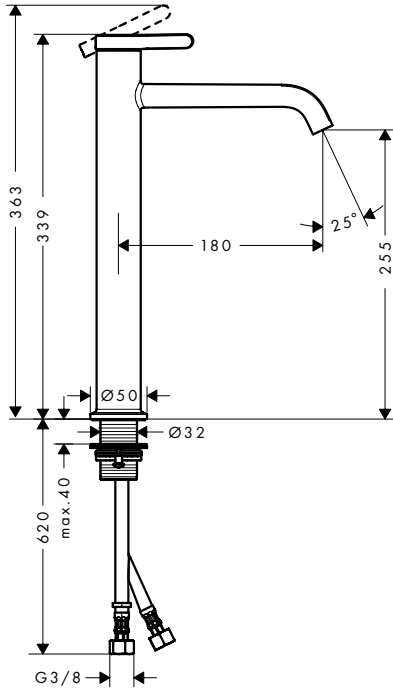
AXOR One 70  
48001XXX



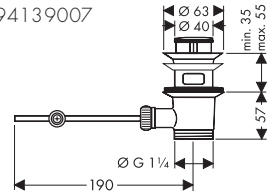
AXOR One  
48210XXX



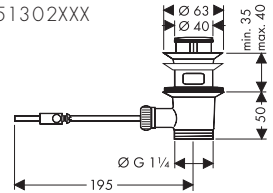
AXOR One 260  
48002XXX



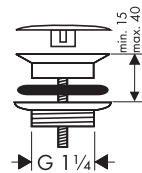
94139007



51302XXX



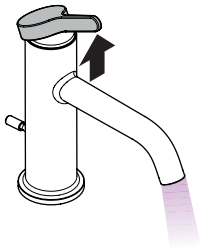
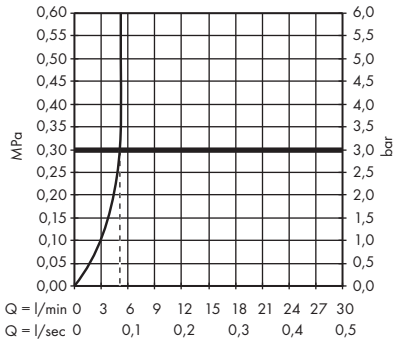
51301XXX



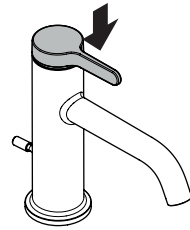


AXOR One 70 48000XXX / AXOR One 70 48001XXX

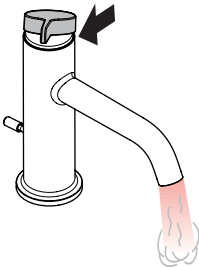
AXOR One 260 48002XXX / AXOR One 48210XXX



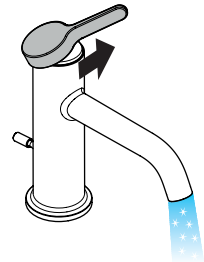
öffnen / ouvert / open / aperto / abierto / open / åbne / abrir /  
otworzyć / otevřít / otvorit / 开 / открыть / nyitás /  
avaaminen / öppna / atidaryti / Otvaranje / açmak /  
deschide / ανοικτό / odpreti / avage / atvērt / otvoriti / åpne /  
отваряне / hare / فتح / 開く



schließen / fermé / close / chiudere / cerrar / sluiten / lukke /  
fechar / zamknąć / zavřít / uzavriť / 关 / закрыть / bezárás /  
sulkeminen / stänga / uždaryti / Zatvaranje / kapatmak /  
închide / κλειστό / zapreti / sulgege / aizvērt / zatvori / lukke /  
затваряне / mbylle / إغلاق / 閉じる



warm / chaud / hot / caldo / caliente / warm / varmt / quente /  
ciepla / teplá / teplá / 热 / горячая / meleg / lämmin / varmt /  
karštas / Vruća voda / sıcak / cald / ζεστό / toplo / kuum /  
karsts / topla / varm / тепло / i ngrohtë / ساخن / 温かい

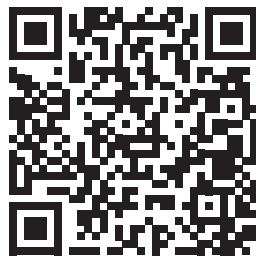


kalt / froid / cold / freddo / frío / koud / koldt / fría / zimna /  
studená / studená / 冷 / холодная / hideg / kylmä / kallt /  
šaltas / Hladno / soğuk / rece / κρύο / mrzlo / külm / auksts /  
hladno / kaldt / студено / i fohtë / بارد / 冷たい

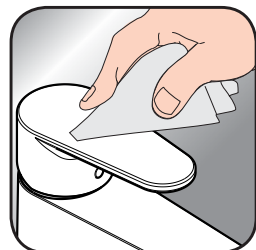




DE / Reinigungsempfehlung / Garantie / Kontakt  
 FR / Recommandation pour le nettoyage / Garanties / Contact  
 EN / Cleaning recommendation / Warranty / Contact  
 IT / Raccomandazione di pulizia / Garanzia / Contatto  
 ES / Recomendaciones para la limpieza / Garantía / Contacto  
 NL / Aanbevelingen inzake reiniging / Garantie / Contact  
 DK / Rengøringsvejledning / Garanti / Kontakt  
 PT / Recomendações de limpeza / Garantia / Contacto  
 PL / Zalecenie dotyczące pielęgnacji / Gwarancja / Kontakt  
 CS / Doporučení k čištění / Záruka / Kontakt  
 SK / Odporúčania pre čistenie / Záruka / Kontakt  
 ZH / 清洁指南 / 担保 / 接触  
 RU / Рекомендации по очистке / Гарантия / Контакты  
 FI / Puhdistussuositus / Takuu / Kosketus  
 SV / Rengöringsrekommendationer / Garanti / Contacto  
 LT / Valymo rekomendacijos / Garantija / Kontaktai  
 HR / Preporuke za čišćenje / Garancija / Kontakt  
 TR / Temizleme önerisi / Garanti / Temas  
 RO / Recomandări pentru curățare / Garanție / Contact  
 EL / Σύσταση καθαρισμού / Εγγύηση / επαφή  
 SL / Priporočilo za čiščenje / Garancija / Kontakt  
 ET / Puhastussooitused / Garantii / Kontakt  
 LV / Tīrīšanas ieteikumi / Garantija / Kontakti  
 SR / Preporuke za čišćenje / Garancija / Kontakt  
 NO / Anbefaling for rengjøring / Garanti / Kontakt  
 BG / Препоръка за почистване / Гаранция / Контакт  
 SQ / Këshilla rreth pastrimit / Garancia / Kontakt  
 KO / 세정시 권장사항 / 품질보증 / 접촉  
 AR / توصيات التنظيف / الضمان (الولايات المتحدة الأمريكية) / اتصال  
 HU / Tisztítási tanácsok / Garancia / érintkezés  
 JP / お手入れの方法 / 保証について / ご連絡先



[www.axor-design.com/  
cleaning-recommendation](http://www.axor-design.com/cleaning-recommendation)



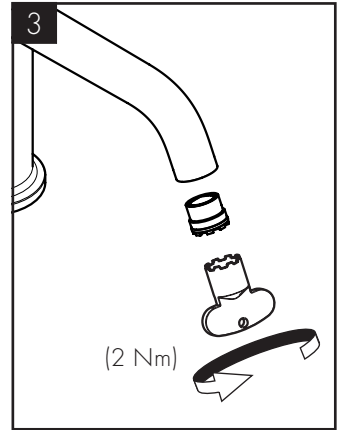
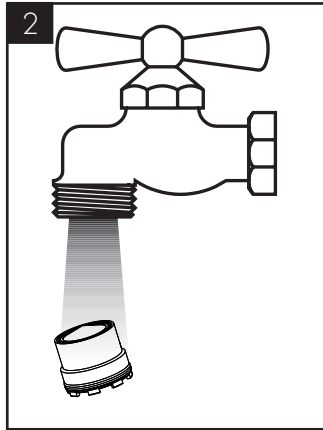
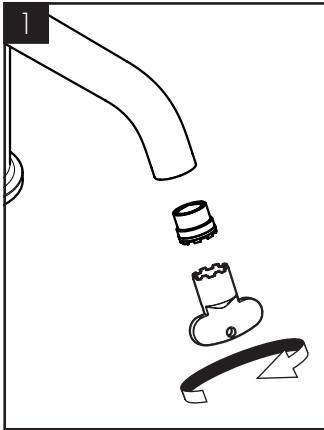
[www.axor-design.com/  
cleaning-recommendation](http://www.axor-design.com/cleaning-recommendation)



[www.axor-design.com/  
cleaning-recommendation](http://www.axor-design.com/cleaning-recommendation)



[www.axor-design.com/  
cleaning-recommendation](http://www.axor-design.com/cleaning-recommendation)



P-IX

DVGW

SINTEF

NF



ETA

GODKENDT  
TIL DRIKKEVAND

48000XXX PA-IX 38017/IO

48001XXX PA-IX 38017/IO

48002XXX PA-IX 38017/IO

48210XXX PA-IX 38016/IO



# AXOR

AXOR / Hansgrohe SE  
Austraße 5-9  
77761 Schiltach  
Deutschland

[info@axor-design.com](mailto:info@axor-design.com)  
[axor-design.com](http://axor-design.com)

06/2021  
9.07835.01