

# Amore DuElec™

Electric Shower



## Product Codes

Amore DuElec™ - 9.5kW - Gloss Black

GEAMDU93

## Installation

- Inlet connection: 15mm diameter
- Outlet connection: 1/2" BSP male thread

## Commissioning

- Simple 2 minute commissioning process

## End User

- Choice of showering experience - divert water between a 5 spray pattern shower head and luxurious fixed rainfall shower head, or even use both together
- Crisp white digital display with temperature read-out
- Sleek, contemporary cover
- Touch activated power selector, on/off button and temperature control dial
- 5 spray shower head with removable spray plate and 1.5m anti-twist hose
- 0.75m anti-twist diverter connector hose
- Suitable for cold mains only
- 2 years parts and labour guarantee
- Efficient A energy rating



# Amore DuElec™

Electric Shower

## Shower

Temperature stability	Stabilised
Power ratings	9.5kW (at 240V)
Finish	Gloss Black
Controls	Start/stop button & temperature control dial
Visual indicators	Power-on/low pressure indicator
Inlet Connection	15mm male compression
Water Entry Points	Top, bottom, side bottom, back (left hand side unit) Bottom, side bottom, back (right hand side unit)
Cable Entry Points	Top, bottom, side bottom, back (left hand side unit)
Outlet Connection	½" BSP
Plumbing System Compatibility	Cold mains only
Minimum Running Pressure/Flow	1 Bar @ 8 l/min
Maximum Static Pressure	10 Bar
Surface Mounted Only	
Approvals, Complies with	BEAB, CE, BSI Kitemark, WRAS
Guarantee	2 years

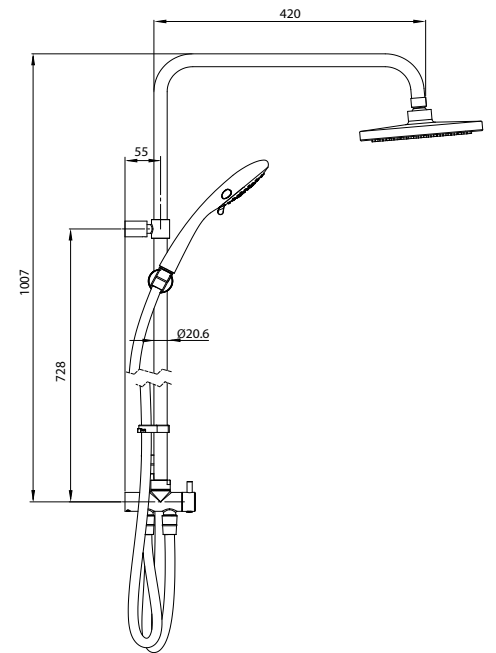
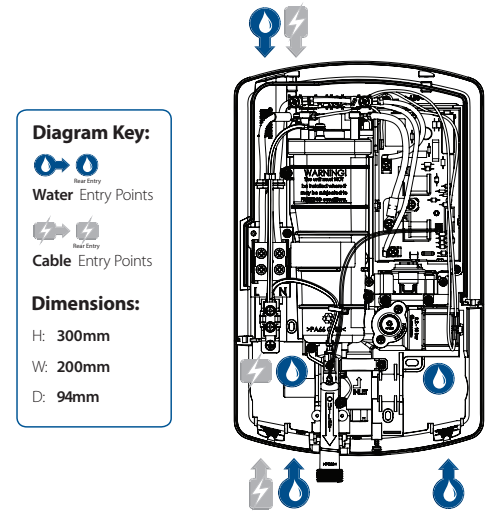
\*Recommended minimum running pressure/flow for full performance 1 bar @8l/min

## DuElec™ Riser Rail Kit

Length	1007mm / 40inches
Diameter	20.5mm / 0.81 inches
Material	Stainless Steel
Finish	Satin Black
Hose	1.5m Anti-twist (main hose) 0.75m (Connector hose)

### IMPORTANT MAINTENANCE NOTICE

Replacing specified Triton accessories for this Amore DuElec™ unit will aid optimum performance and maintain a valid guarantee



1.5m Anti-Twist Shower Hose  
Matte Black  
TSHG150BLK



8000 Series Shower Head  
Matte Black  
TSHE8RCBLK

Contact our specification team

Call: 02476 324 776 | Email: [specification@tritonshowers.co.uk](mailto:specification@tritonshowers.co.uk) | Web: [www.tritonshowers/specifiers.co.uk](http://www.tritonshowers/specifiers.co.uk)

## Product Technical Sheet

# Amore DuElec™

Electric Shower



### Product Codes

Amore DuElec™ - 9.5kW - Gloss White

GEAMDU91

### Installation

- Inlet connection: 15mm diameter
- Outlet connection: 1/2" BSP male thread

### Commissioning

- Simple 2 minute commissioning process

### End User

- Choice of showering experience - divert water between a 5 spray pattern shower head and luxurious fixed rainfall shower head, or even use both together
- Crisp white digital display with temperature read-out
- Sleek, contemporary cover
- Touch activated power selector, on/off button and temperature control dial
- 5 spray shower head with removable spray plate and 1.5m anti-twist hose
- 0.75m anti-twist diverter connector hose
- Suitable for cold mains only
- 2 years parts and labour guarantee
- Efficient A energy rating



## Product Technical Sheet

# Amore DuElec™

## Electric Shower

### Shower

Temperature stability	Stabilised
Power ratings	9.5kW (at 240V)
Finish	Gloss White
Controls	Start/stop button & temperature control dial
Visual indicators	Power-on/low pressure indicator
Inlet Connection	15mm male compression
Water Entry Points	Top, bottom, side bottom, back (left hand side unit) Bottom, side bottom, back (right hand side unit)
Cable Entry Points	Top, bottom, side bottom, back (left hand side unit)
Outlet Connection	½" BSP
Plumbing System Compatibility	Cold mains only
Minimum Running Pressure/Flow	1 Bar @ 8 l/min
Maximum Static Pressure	10 Bar
Surface Mounted Only	
Approvals, Complies with	BEAB, CE, BSI Kitemark, WRAS
Guarantee	2 years

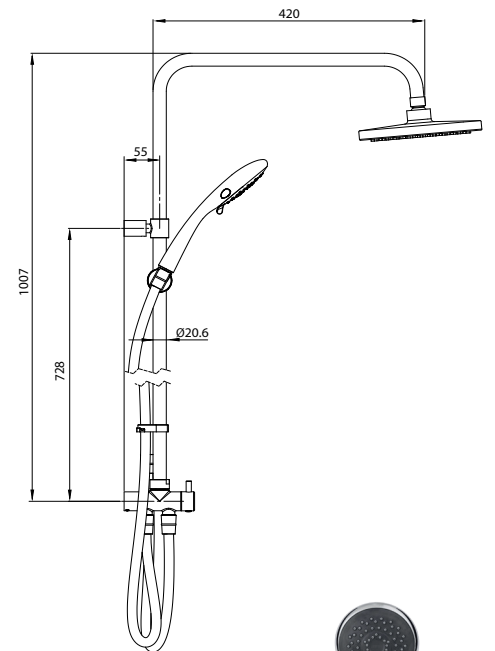
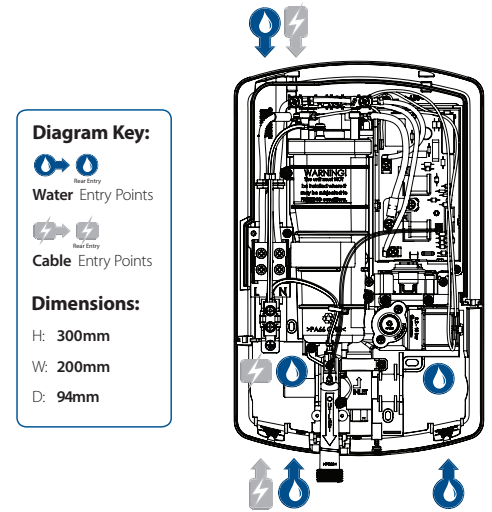
\*Recommended minimum running pressure/flow for full performance 1 bar @8l/min

### DuElec™ Riser Rail Kit

Length	1007mm / 40inches
Diameter	20.5mm / 0.81 inches
Material	Stainless Steel
Finish	Chrome
Hose	1.5m Anti-twist (main hose) 0.75m (Connector hose)

### IMPORTANT MAINTENANCE NOTICE

Replacing specified Triton accessories for this Amore DuElec™ unit will aid optimum performance and maintain a valid guarantee



Isabel – Circular Fixed Shower Head  
Chrome  
TSHFISABCH



8000 Series Shower Head  
Chrome  
TSH8RCCHR



1.5m Anti-Twist Shower Hose  
Chrome  
REHOSE150C

Contact our specification team

Call: 02476 324 776 | Email: [specification@tritonshowers.co.uk](mailto:specification@tritonshowers.co.uk) | Web: [www.tritonshowers/specifiers.co.uk](http://www.tritonshowers/specifiers.co.uk)