



# CADAVER TRAYS

## STANDARD DESIGN FEATURES

Length: ..... 78 in./198 cm.  
 Height: ..... 2.75 in./6 cm.

## TRAY WIDTH

Width: ..... (18 Gauge) 23 in./58 cm.  
 Design load: ..... 300 lbs./136 kg.  
 Width: ..... (16 Gauge) 27 in./68 cm.  
 Design load: ..... 400 lbs./181 kg.  
 Width: ..... (14 Gauge) 30 in./76 cm.  
 Design load: ..... 500 lbs./226 kg.

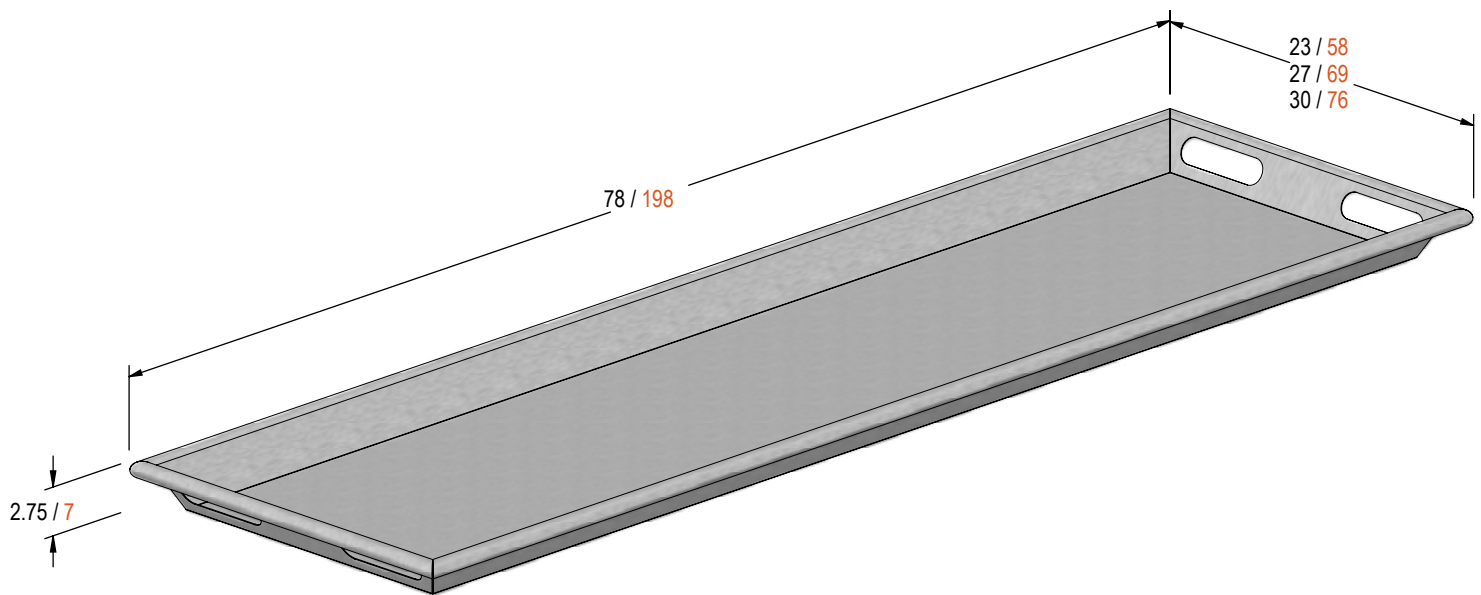
- Fabricated with hand slots and without a drain hole
- Inside corners finished smooth for easy cleaning
- All edges rolled and welded for extra strength
- Custom sizes are available

Will combine with the following mortuary racks, refrigerators and cadaver carriers:

- 600018 .....Series Carrier for T3626-HS
- 600038 .....Series carrier with Rollers
- 7002..... Cantilever Storage Rack Series
- 7005..... Cantilever Storage System
- 7010.....Portable Mortuary Rack Series
- 7011 . Portable Cremation Storage Rack Series
- 7030..... Mortuary Rack System
- 86-129 ..... Expandable Mortuary Rack
- 7020-26 ..... Two Tier Storage Carrier
- 600035 ..... Embalming Table
- 600038 ..... Autopsy Carrier w/ Rollers
- 600040 ..... Cadaver Carrier w/ Rollers

## Optional Accessories

- Fabricated w/o hand slots
- Drain
- Laboratory stopper #9 (1.5 diameter drain)



All measurements in inches/centimeters +-

# SERIES T3626 STANDARD BODY TRAY