



**MODEL 60023-HC  
DISSECTION TABLE WITH  
HYDRAULIC HEIGHT  
ADJUSTMENT**

**60023-HC**

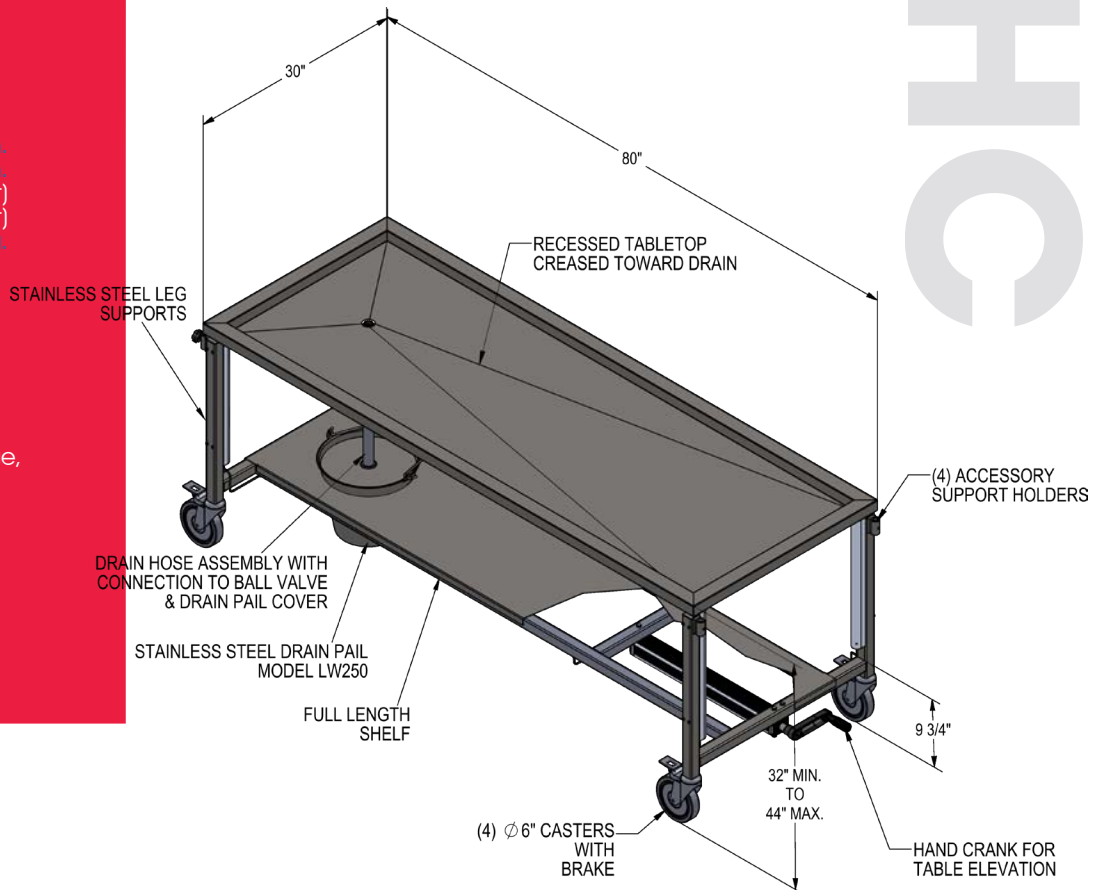
Dissection platform for use in research laboratories and medical schools. Fabricated from heavy gauge 304 stainless steel with No.4 finish. Performs well under heavy duty use.

**STANDARD DESIGN FEATURES**

- Width:** ..... 30 in./76 cm.
- Length:** ..... 80 in./203 cm.
- Height:** ..... 32 in./81 cm. (Lowest)
- Height:** ..... 44 in./112 cm. (Highest)
- Design Load:** ..... 500 lbs./226.8 kg.

- Hand crank elevation
- Recessed tabletop, creased towards drain for added fluid flow
- Drain and hose assembly w/ball valve
- Fabricated from 1.5 in./3 cm. square .12 tubing thickness, 304 stainless steel tubing
- Top tray holder fabricated from 11 gauge, .120 thickness, 304 stainless steel sheet flanged for strength
- Stainless steel has a grained finish and all welds match adjoining surfaces
- 6in/15cm casters, all with brake mechanisms

All measurements are inches/centimeters



# 600023-HC-ADA



ADA Compliant

**Model 600023-HC-ADA**

The ADA compliant dissection table is designed to accommodate wheelchair access. An economical dissection platform for use in research laboratories and medical schools. It is fabricated from heavy gauge 304 stainless steel with a No. 4 finish. This unit features a recessed tabletop which is creased toward the drain for positive fluid flow.

See Page 8-22 for pictures and descriptions of optional accessories



**STANDARD DESIGN FEATURES**

Length: ..... 80 in./203 cm.  
 Height/Overall: ..... 32 in./81 cm.  
 Width: ..... 30 in./76 cm.

- All stainless steel construction
- Recessed tabletop, creased toward drain for added fluid flow
- 6 in./15 cm. casters, all with brake mechanism
- Support sockets are located on all (4) corners to accommodate the optional bookstand, leg supports, and/or instrument tray holder
- ADA Compliant

All measurements in inches/centimeters +-



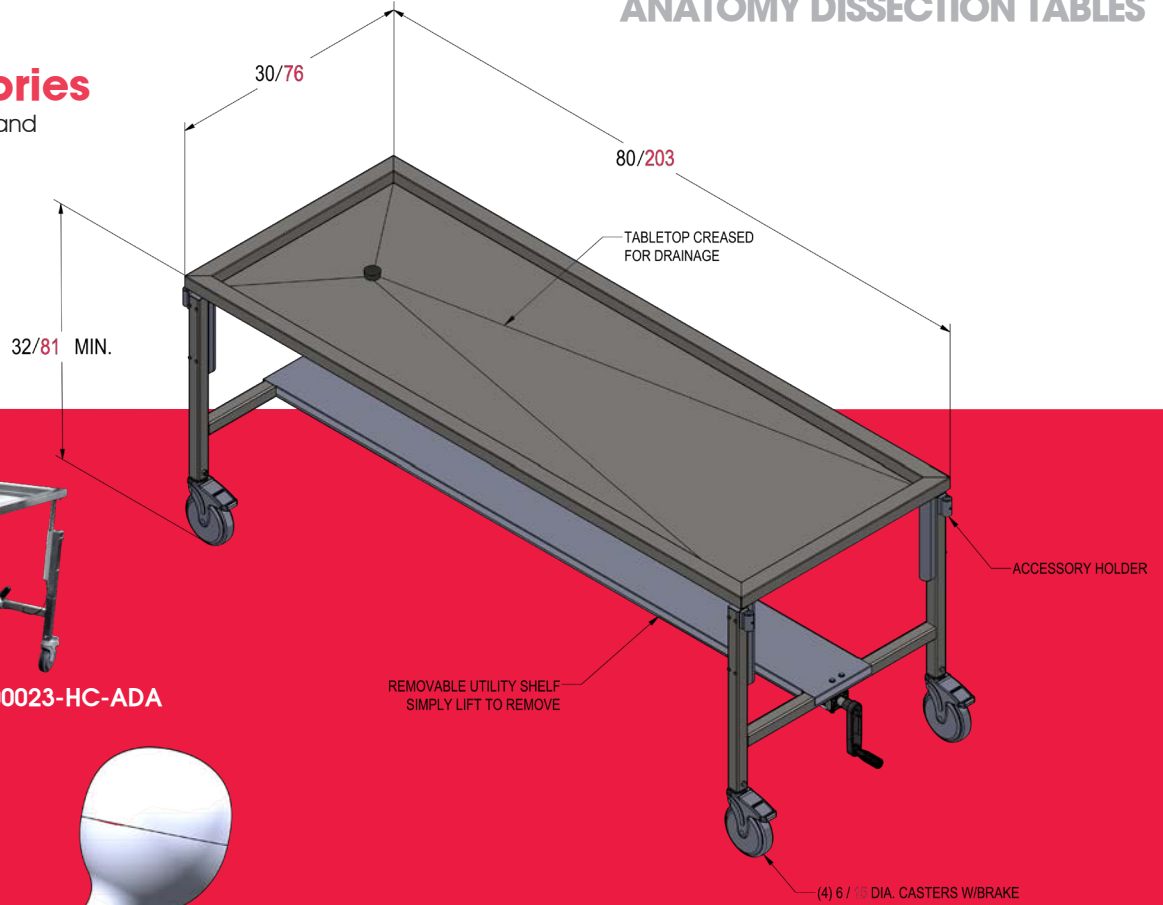
## MODEL 600023-HC-ADA COMPLIANT DISSECTION TABLE

## Optional Accessories

- Stainless steel adjustable bookstand
- Stainless steel leg supports
- Stainless steel drain pail
- Drain pail cover
- Instrument tray holder
- Stainless steel over the body book holder
- Adjustable height option
- Adjustable leveling feet for stationary mount
- Stainless steel drawer assembly

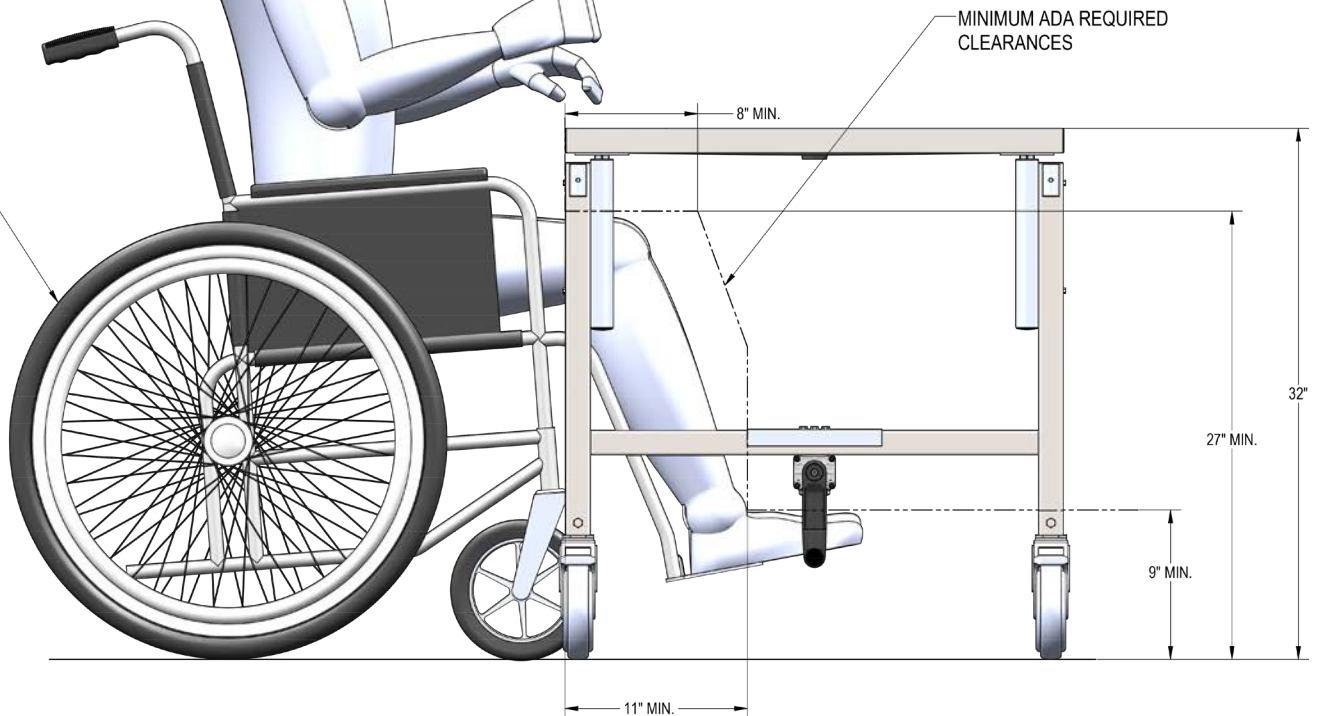


MODEL 600023-HC-ADA raised



## MODEL 600023-HC-ADA Specifications

WHEELCHAIR FOR ILLUSTRATION PURPOSES ONLY.



# MODEL 600023-HC-ADA LAYOUT DRAWING & OPTIONAL FEATURES



# ANATOMY DISSECTION TABLES

## OA-402 - STAINLESS STEEL LEG SUPPORTS

Units are fabricated entirely of stainless steel. The "U" shaped leg supports can be swiveled. They feature a locking knob at the pole base to hold the support pole in position. The pole is designed to be placed at any corner of the table. All dissection tables come equipped with support sockets to accept the leg support pole.

**STAINLESS STEEL LEG SUPPORTS**



## OA-405 - STAINLESS STEEL INSTRUMENT TRAY

Units are fabricated entirely of stainless steel. They feature a locking knob at the pole base and at the rear of the instrument tray which allows the pole to be locked in a variety of positions. The pole is designed to be placed at any corner of the table. All dissection tables come equipped with support sockets to accept the instrument tray pole. The instrument tray is removable to carry instrument to different location and for easy cleaning.

**STAINLESS STEEL INSTRUMENT TRAY**



## OA-408 - HOOD LATCH FOR LOCK

Stainless steel hinge latch lock mechanism can be provided for added security as well as prevention of accidents.

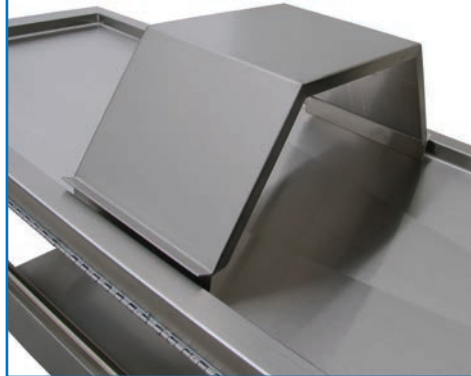
**HOOD LATCH FOR LOCK**



## OA-401 - STAINLESS STEEL OVER THE BODY BOOK HOLDER

Stainless steel book holder carries (2) books -one per side and the top can hold other miscellaneous items.

**STAINLESS STEEL OVER THE BODY BOOK HOLDER**



## OA-400 - STAINLESS STEEL BOOK HOLDER

Stainless steel book holder supports literature for ease of viewing. They feature a locking knob at the pole base to hold the support pole in position. The pole is designed to be placed at any corner of the table. All dissection tables come equipped with support sockets to accept the leg support pole.

**STAINLESS STEEL BOOK HOLDER**



## LW254 - DRAIN PAIL COVER

Specially fitted cover to contain waste and debris. Allows drain hose assembly and ball valve to connect via tubing directly to the drain pail.

**DRAIN PAIL COVER**



## LW250, LW251 - STAINLESS STEEL DRAIN PAIL

Stainless steel pails can be provided to accept table drainage. All tables come equipped with some mounting area for the pails. Mounting types include: lower shelves, hook on underside of table or drop-in-pail holders. Type of table will determine which type of holder can be used.

**LW250** - 11.6 in./29 cm. D. x 9.25 in./23 cm. H, 12 L. capacity.

**LW251** - 11.75 in./30 cm. D. x 10.125 in./23 cm. H, 16 L. capacity.



**STAINLESS STEEL DRAIN PAIL**

## OA-409 - STAINLESS STEEL DRAWER ASSEMBLY

All stainless steel construction. Drawer heads are thick double pan construction with an insulated core. Drawers have internal stops to prevent accidental withdrawal. Drawers are equipped with full extension, ball bearing suspensions, with a capacity load of 100 lbs./45 kg. per drawer.



**STAINLESS STEEL DRAWER ASSEMBLY**

## OA-413 - CHEMICAL COLLECTION BOTTLE

5 Gallon chemical resistant bottle held in place with stainless steel bottle holder. Also features a quick release hose for easy replacement.



**CHEMICAL COLLECTION BOTTLE**

# OPTIONAL DISSECTION TABLES FEATURES

Pictured accessories may differ depending on your unit and other optional accessories. Please review the model's standard features to ensure accuracy of specifications.