

# ANATOMY DISSECTION TABLES



## MODEL 60022

The Immersion Table is a uniquely designed storage chamber. When not in use, the cadaver is lowered into a preservation solution and is easily raised by a hand crank lifting mechanism. The hand crank lifting mechanism protects students or personnel from injury by avoiding manual lifting. Primarily designed for use in research laboratories and medical schools.

## STANDARD DESIGN FEATURES

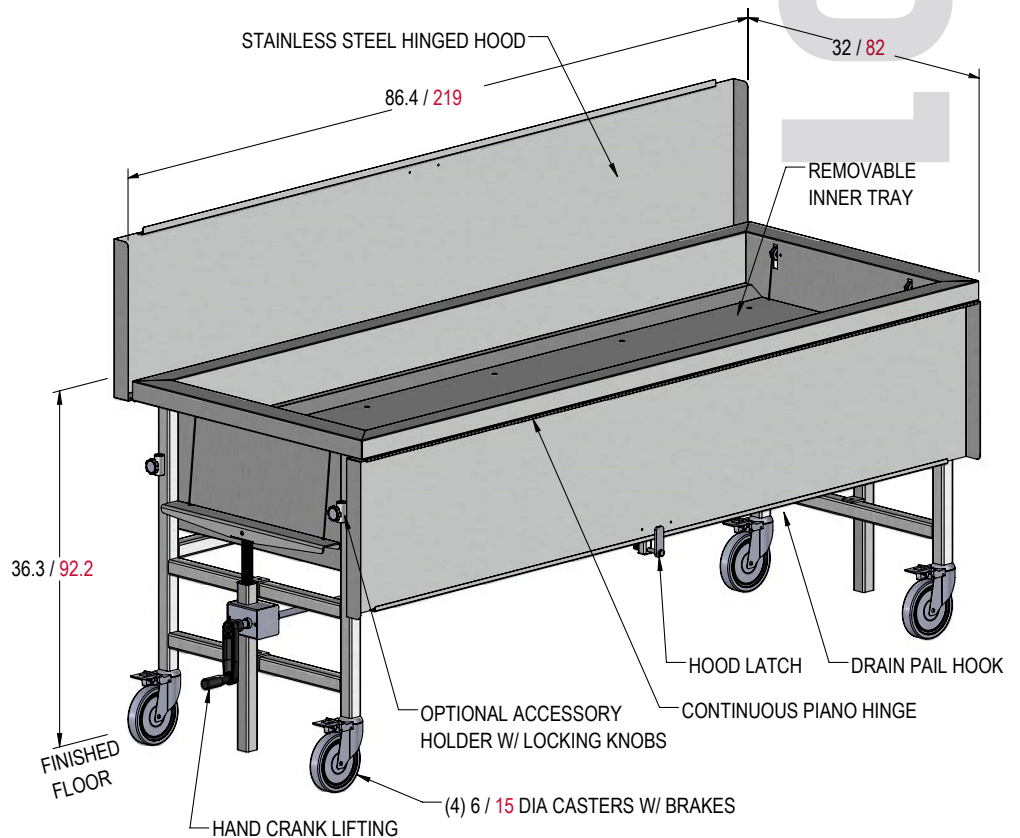
Length:..... 86.375 in./219 cm.  
 Height Overall: ..... 36.375 in./92 cm.  
 Width:..... 32.375 in./82 cm.

### Chamber Dimensions

Length:..... 80 in./203 cm.  
 Width:..... 27 in./68 cm.  
 Depth:..... 15 in./38 cm.

- All stainless steel construction
- Helic weld seams and joints ground and polished to a smooth finish
- Cadaver tray fabricated for strength and easy drainage
- Stainless steel hinged hood
- 6 in./15 cm. casters, all with brake mechanism
- Support sockets are located on all (4) corners to accommodate the optional bookstand, leg supports, and/or instrument tray holder
- .75 in./1 cm. Ball Valve provided on drain for hose attachment and fluid control
- Hand crank lifting mechanism to raise cadaver without the risk of personal injury

All measurements in inches/centimeters +-



# MODEL 60022-01 / 60022-02 IMMERSION DISSECTION TABLE

600022-01



We carry Surgical Lights, Postmortem Thread, Headrest, SS Pans, Body Boards and much more.



Call for more information  
(800) 410-0100



### Optional Accessories

- Stainless steel adjustable bookstand
- Stainless steel leg supports
- Stainless steel drain pail
- Drain pail cover
- Instrument tray holder
- Drain hose assembly for connection to ball valve
- Hood latch for lock

#### MODEL 600022-02 IMMERSION DISSECTION TABLE, MANUAL ELEVATION

- Two-position manual lifting mechanism to raise cadaver. Support rails lock body tray in down position. Added length for increased leverage when lifting.

600022-02  
MODEL 600022-01 / 600022-02  
OPTIONAL FEATURES



# ANATOMY DISSECTION TABLES

## OA-402 - STAINLESS STEEL LEG SUPPORTS

Units are fabricated entirely of stainless steel. The "U" shaped leg supports can be swiveled. They feature a locking knob at the pole base to hold the support pole in position. The pole is designed to be placed at any corner of the table. All dissection tables come equipped with support sockets to accept the leg support pole.

**STAINLESS STEEL LEG SUPPORTS**



## OA-405 - STAINLESS STEEL INSTRUMENT TRAY

Units are fabricated entirely of stainless steel. They feature a locking knob at the pole base and at the rear of the instrument tray which allows the pole to be locked in a variety of positions. The pole is designed to be placed at any corner of the table. All dissection tables come equipped with support sockets to accept the instrument tray pole. The instrument tray is removable to carry instrument to different location and for easy cleaning.

**STAINLESS STEEL INSTRUMENT TRAY**



## OA-408 - HOOD LATCH FOR LOCK

Stainless steel hinge latch lock mechanism can be provided for added security as well as prevention of accidents.

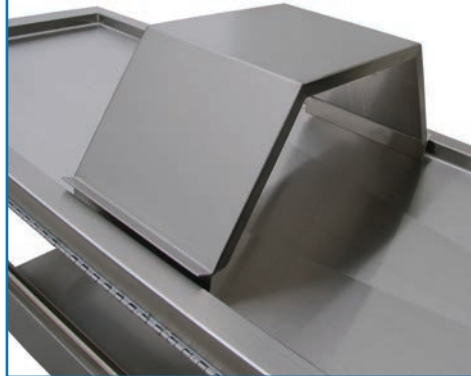
**HOOD LATCH FOR LOCK**



## OA-401 - STAINLESS STEEL OVER THE BODY BOOK HOLDER

Stainless steel book holder carries (2) books -one per side and the top can hold other miscellaneous items.

**STAINLESS STEEL OVER THE BODY BOOK HOLDER**



## OA-400 - STAINLESS STEEL BOOK HOLDER

Stainless steel book holder supports literature for ease of viewing. They feature a locking knob at the pole base to hold the support pole in position. The pole is designed to be placed at any corner of the table. All dissection tables come equipped with support sockets to accept the leg support pole.

**STAINLESS STEEL BOOK HOLDER**



## LW254 - DRAIN PAIL COVER

Specially fitted cover to contain waste and debris. Allows drain hose assembly and ball valve to connect via tubing directly to the drain pail.

**DRAIN PAIL COVER**



## LW250, LW251 - STAINLESS STEEL DRAIN PAIL

Stainless steel pails can be provided to accept table drainage. All tables come equipped with some mounting area for the pails. Mounting types include: lower shelves, hook on underside of table or drop-in-pail holders. Type of table will determine which type of holder can be used.

**LW250** - 11.6 in./29 cm. D. x 9.25 in./23 cm. H, 12 L. capacity.

**LW251** - 11.75 in./30 cm. D. x 10.125 in./23 cm. H, 16 L. capacity.



**STAINLESS STEEL DRAIN PAIL**

## OA-409 - STAINLESS STEEL DRAWER

**ASSEMBLY** All stainless steel construction. Drawer heads are thick double pan construction with an insulated core. Drawers have internal stops to prevent accidental withdrawal. Drawers are equipped with full extension, ball bearing suspensions, with a capacity load of 100 lbs./45 kg. per drawer.



**STAINLESS STEEL DRAWER ASSEMBLY**

## OA-413 - CHEMICAL COLLECTION BOTTLE

5 Gallon chemical resistant bottle held in place with stainless steel bottle holder. Also features a quick release hose for easy replacement.



**CHEMICAL COLLECTION BOTTLE**

Pictured accessories may differ depending on your unit and other optional accessories. Please review the model's standard features to ensure accuracy of specifications.

# OPTIONAL DISSECTION TABLES FEATURES