

ANATOMY DISSECTION TABLES

Model 600021

The Dissecting Table with (2) Section Hinged Covers is ideal for use in any university cadaver dissection course. The dissecting tables are an excellent choice that will provide maneuverability, convenient storage and assist in the control of debris. This unit features hinged covers which can be securely closed when not in use and fastened beneath the table top when opened.

STANDARD DESIGN FEATURES

Length: 87 in./221 cm.
 Height/Overall: 48.25 in./123 cm.
 Table height: 36 in./91 cm.
 Width: 30 in./76 cm.

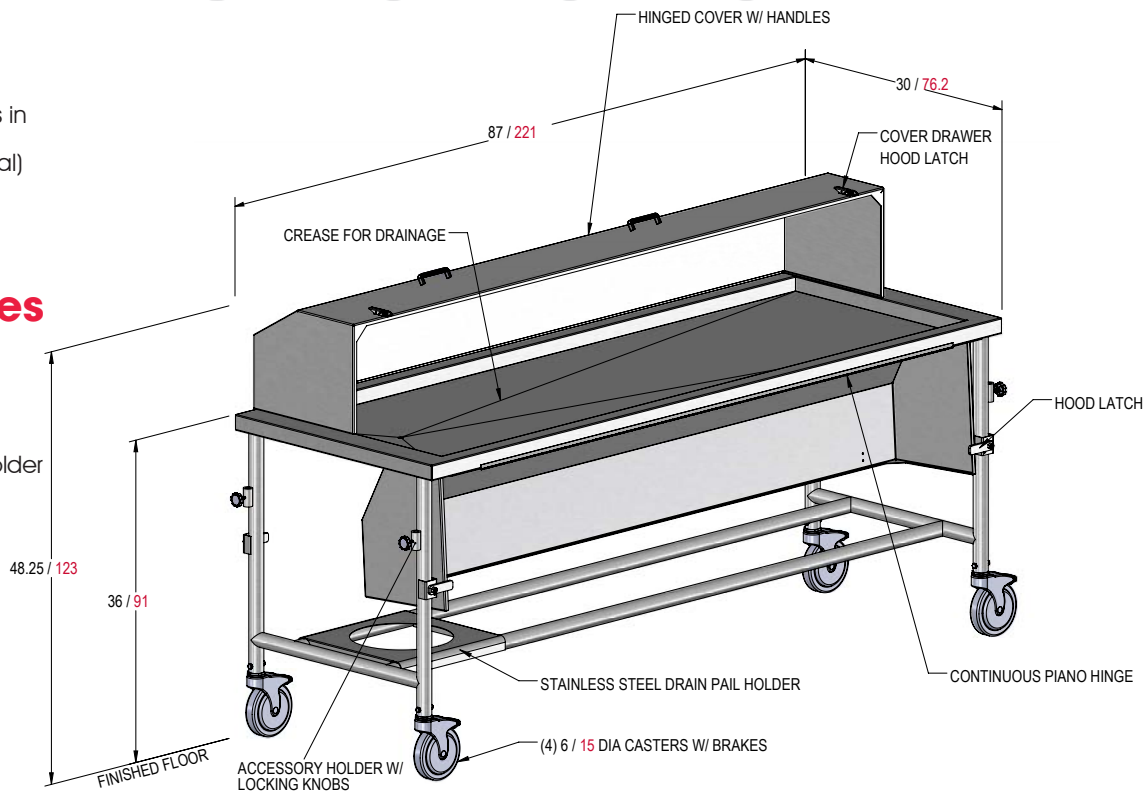


- All stainless steel construction
- Fabricated from heavy gauge 304 stainless steel with a No. 4 finish
- Recessed tabletop, creased toward drain for added fluid flow
- 6 in./15 cm. casters, all with brake mechanism
- Optional accessory holder (Support sockets) are located on all (4) corners to accommodate the optional bookstand, leg supports, and/or instrument tray holder
- Flip latches are provided to securely hold covers in down position
- Draw latches provided to hold hoods in closed position
- Stainless steel pail holder (pail optional)
- .75 in./1 cm. Ball Valve provided on drain for hose attachment and fluid control.

Optional Accessories

- Stainless steel adjustable bookstand
- Stainless steel leg supports
- Stainless steel drain pail
- Drain pail cover
- Instrument tray holder
- Stainless steel over the body book holder
- Stainless steel drawer
- Adjustable height options
- Full length stainless steel lower shelf
- Cover draw hood latch w/lock
- Drain hose assembly for connection to ball valve

600021



MODEL 600021 DISSECTION TABLE WITH HOOD

ANATOMY DISSECTION TABLES

OA-402 - STAINLESS STEEL LEG SUPPORTS

Units are fabricated entirely of stainless steel. The "U" shaped leg supports can be swiveled. They feature a locking knob at the pole base to hold the support pole in position. The pole is designed to be placed at any corner of the table. All dissection tables come equipped with support sockets to accept the leg support pole.

STAINLESS STEEL LEG SUPPORTS



OA-405 - STAINLESS STEEL INSTRUMENT TRAY

Units are fabricated entirely of stainless steel. They feature a locking knob at the pole base and at the rear of the instrument tray which allows the pole to be locked in a variety of positions. The pole is designed to be placed at any corner of the table. All dissection tables come equipped with support sockets to accept the instrument tray pole. The instrument tray is removable to carry instrument to different location and for easy cleaning.

STAINLESS STEEL INSTRUMENT TRAY



OA-408 - HOOD LATCH FOR LOCK

Stainless steel hinge latch lock mechanism can be provided for added security as well as prevention of accidents.

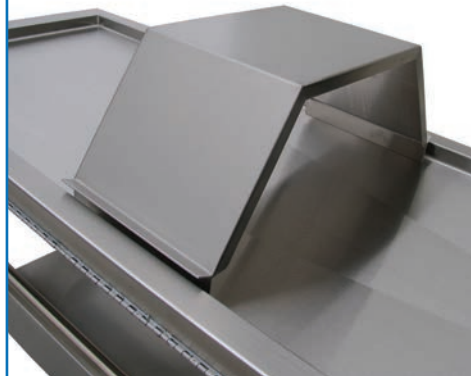
HOOD LATCH FOR LOCK



OA-401 - STAINLESS STEEL OVER THE BODY BOOK HOLDER

Stainless steel book holder carries (2) books -one per side and the top can hold other miscellaneous items.

STAINLESS STEEL OVER THE BODY BOOK HOLDER



OA-400 - STAINLESS STEEL BOOK HOLDER

Stainless steel book holder supports literature for ease of viewing. They feature a locking knob at the pole base to hold the support pole in position. The pole is designed to be placed at any corner of the table. All dissection tables come equipped with support sockets to accept the leg support pole.

STAINLESS STEEL BOOK HOLDER



LW254 - DRAIN PAIL COVER

Specially fitted cover to contain waste and debris. Allows drain hose assembly and ball valve to connect via tubing directly to the drain pail.

DRAIN PAIL COVER



LW250, LW251 - STAINLESS STEEL DRAIN PAIL

Stainless steel pails can be provided to accept table drainage. All tables come equipped with some mounting area for the pails. Mounting types include: lower shelves, hook on underside of table or drop-in-pail holders. Type of table will determine which type of holder can be used.

LW250 - 11.6 in./29 cm. D. x 9.25 in./23 cm. H, 12 L. capacity.

LW251 - 11.75 in./30 cm. D. x 10.125 in./23 cm. H, 16 L. capacity.



STAINLESS STEEL DRAIN PAIL

OA-409 - STAINLESS STEEL DRAWER

ASSEMBLY All stainless steel construction. Drawer heads are thick double pan construction with an insulated core. Drawers have internal stops to prevent accidental withdrawal. Drawers are equipped with full extension, ball bearing suspensions, with a capacity load of 100 lbs./45 kg. per drawer.



STAINLESS STEEL DRAWER ASSEMBLY

OA-413 - CHEMICAL COLLECTION BOTTLE

5 Gallon chemical resistant bottle held in place with stainless steel bottle holder. Also features a quick release hose for easy replacement.



CHEMICAL COLLECTION BOTTLE

Pictured accessories may differ depending on your unit and other optional accessories. Please review the model's standard features to ensure accuracy of specifications.

OPTIONAL DISSECTION TABLES FEATURES