

PEDESTAL AUTOPSY TABLES



STANDARD DESIGN FEATURES

- Width:33 in./83 cm.
- Length:101 in./256 cm.
- Height:34 in./86 cm.
- All Type 304 stainless steel construction with a polished No. 4 finish
- Heliarc-welded seams and joints, ground and polished to match adjoining surfaces
- Radii on all inside and outside corners for easy cleaning
- Roller frame assembly with (10) maintenance free nylon rollers

- Roller frame designed to accept our Model T3626-HS Standard Body Tray
- Adjustable leveling feet with mounting holes
- GFCI duplex receptacle w/waterproof cover
- Plumbing and electrical lines factory installed and require only single point connection at the project location
- Backflow protection for all plumbing fixtures to prevent backflow of contaminated water

- Deluxe hydro-aspirator with reverse flow, cold water control valve and 10 ft./3 m. of hose
- Spray hose assembly with cold water control valve, nozzle, 10 ft./3 m. of flexible hose and backflow protection
- Mixing faucet with gooseneck spout and wrist blade handles
- Large sink basin with lever handle drain

All measurements in inches/centimeters +/-

MODEL 1036-28 AUTOPSY TABLE w/ROLLERS



TRANSFER TO AND FROM
TRANSPORT CARRIER

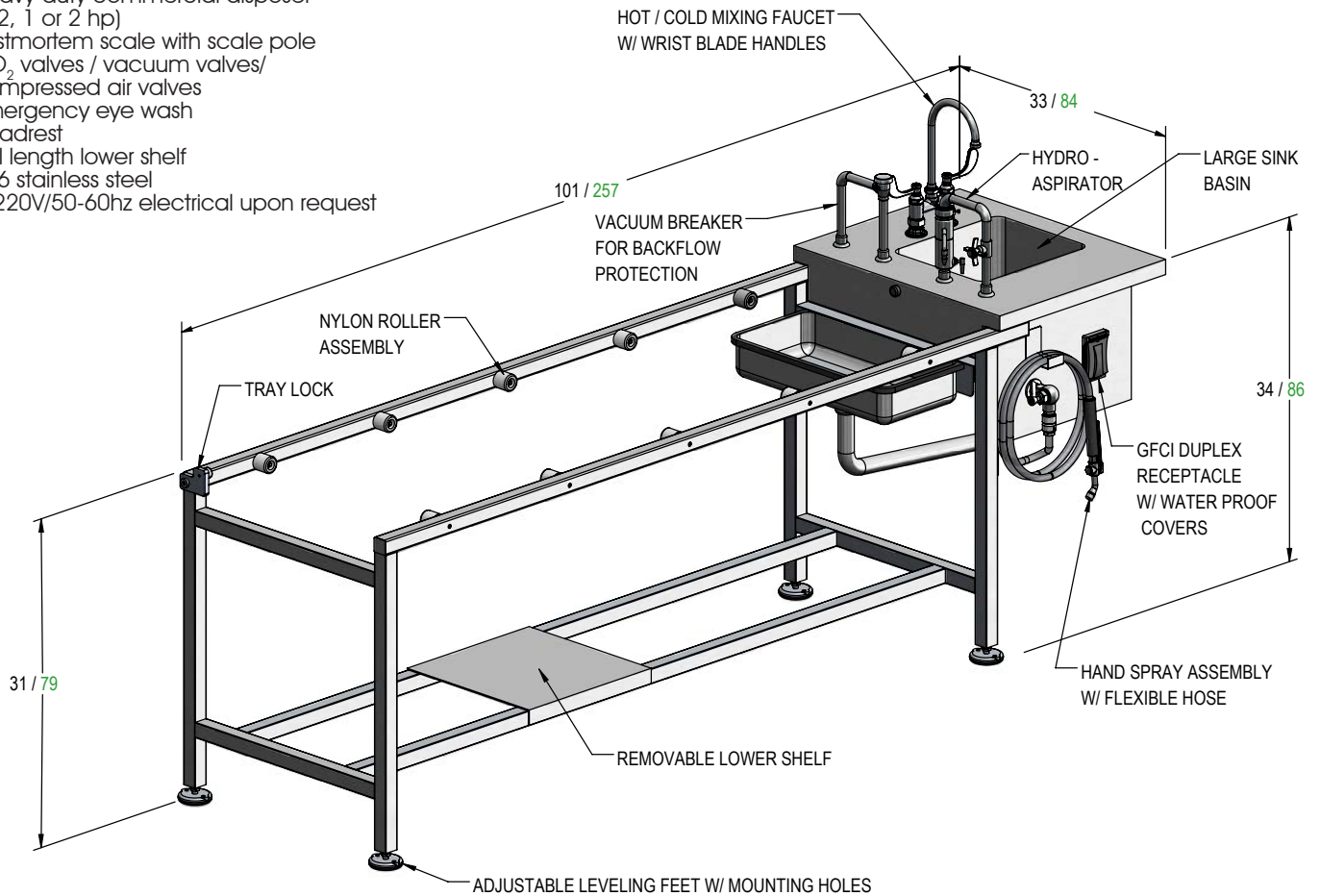


ALL TRANSFERS DONE WITHOUT
REMOVAL OF BODY FROM STORAGE TRAY

Optional Accessories

- Heavy-duty commercial disposer (1/2, 1 or 2 hp)
- Postmortem scale with scale pole
- CO₂ valves / vacuum valves/ compressed air valves
- Emergency eye wash
- Headrest
- Full length lower shelf
- 316 stainless steel
- ~220V/50-60hz electrical upon request

TRANSFER TO AND FROM
STORAGE RACK SYSTEMS



All measurements in inches/centimeters +-



MODEL 1036-28 LAYOUT DRAWING & OPTIONAL FEATURES



OA-111 - EMERGENCY EYEWASH / HOSE ASSEMBLY
Hand controlled spray to provide a gentle flow of water to rinse eyes of foreign debris.



OA-112 - EYEWASH / FAUCET ASSEMBLY
Deck Mounted Eye wash for hands free eye wash or can be removed for use as a drench hose for eye, face, or body use coverage.



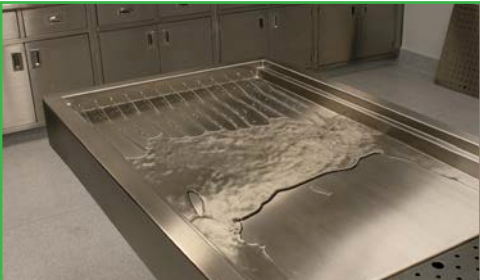
SS-50, SS-100, SS-200 - HEAVY DUTY COMMERCIAL DISPOSER
Standard on most sinks. Variable power options. Available in 1/2, 1 or 2 HP.



LW-390 - HEADREST (available in aluminum)



OA-208 - RAISED DISSECTING BOARDS



OA-300 - TABLE END RINSE ASSEMBLY
Washes debris towards sink basin controlled by cold water valve or hands free control with back flow prevention.



OA-125 - REMOVABLE MEASURING RULER
Provides a convenient measuring device. Easily accessed mounted in plain sight.



OA-115 - 3 SIDED RINSE ASSEMBLY
We provide a rinse to gently wash debris and non viable material away from the work area. A sturdy stainless steel assembly controlled by a ON/OFF valve.



LW-411 - SCALE POLE AND MOUNTING BRACKET For use with standard hanging autopsy scale. Pole can swivel left and right, and includes locking knob.



OA-100-102 - COMPRESSED AIR VALVES
Designed for setting volume and pressure to isolate flow.