

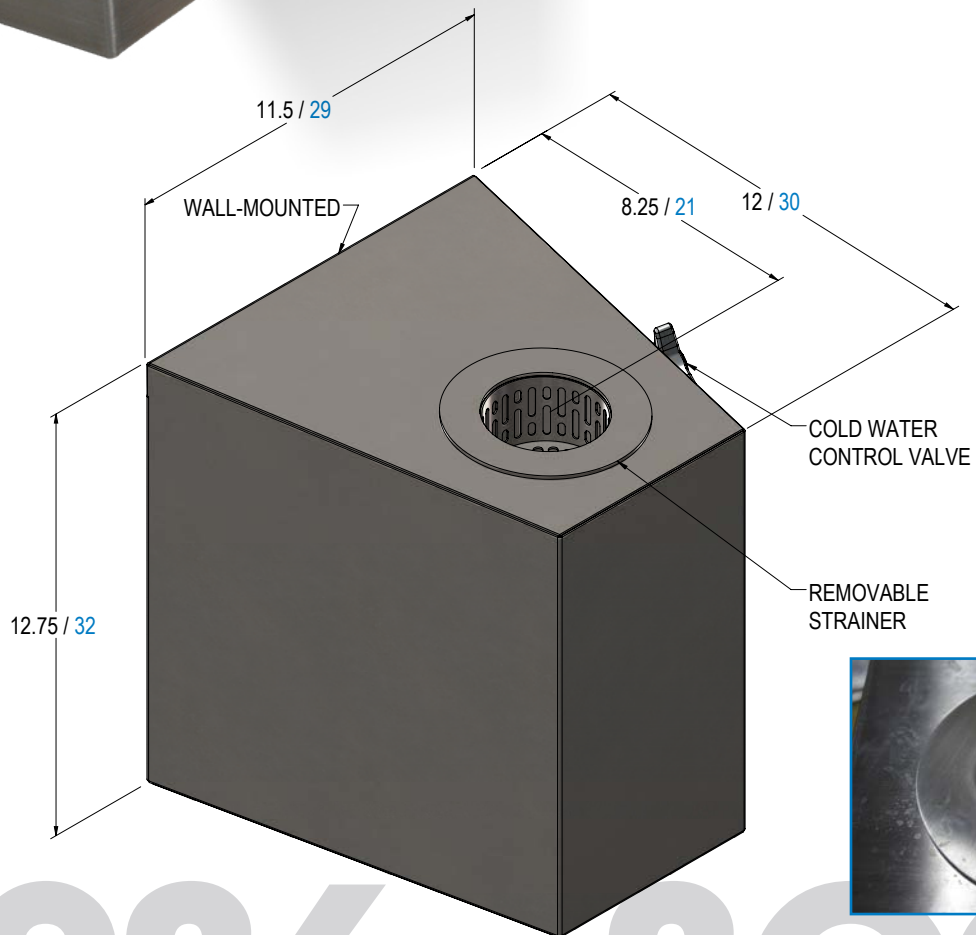
EMBALMING TABLE COLLECTOR



STANDARD DESIGN FEATURES

Height:12.75 in./32 cm.
 Length:11.5 in./29 cm.
 Width:12 in./30 cm.

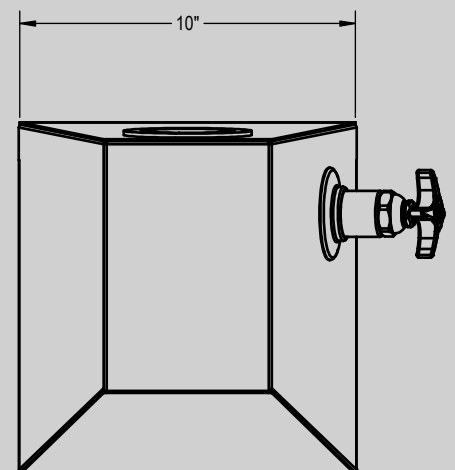
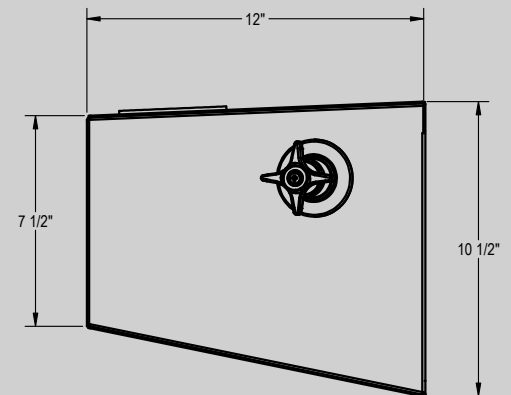
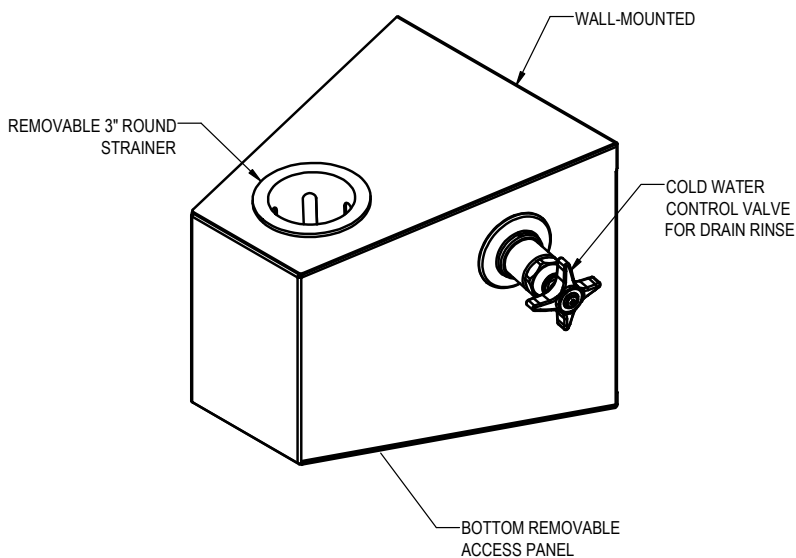
- Quick and easy set up, made to mount on your embalming area base cabinets.
- Removable drain captures large waste not meant to be drained
- Continuous rinse moves debris of harmful contaminants and air-borne pathogens down the drain.
- Full stainless steel construction, makes it aesthetically pleasing and easy to clean and maintain.
- Cold water control adjusts flow.



1036 - 300

Embalming Table Collection Station

Quick and easy set up made to mount on your embalming area base cabinets. Removable drain captures large waste not meant to be drained. Continuous rinse moves debris of harmful contaminants and air-borne pathogens down the drain.

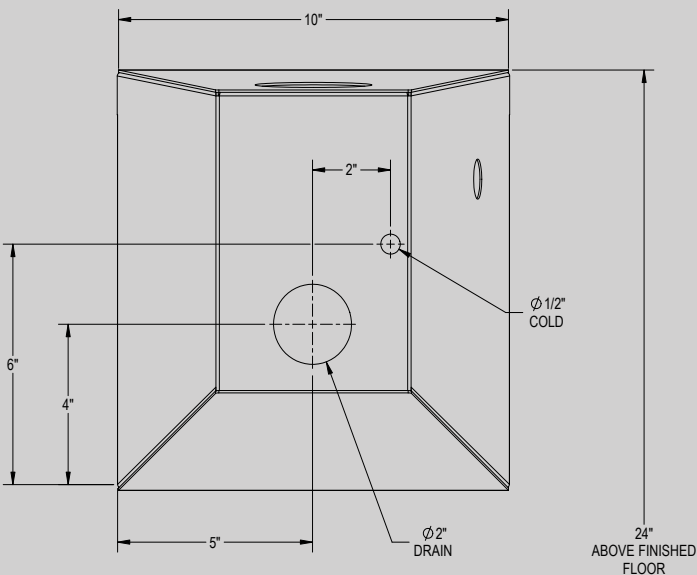


- Full stainless steel construction, makes it aesthetically pleasing and easy to clean and maintain.

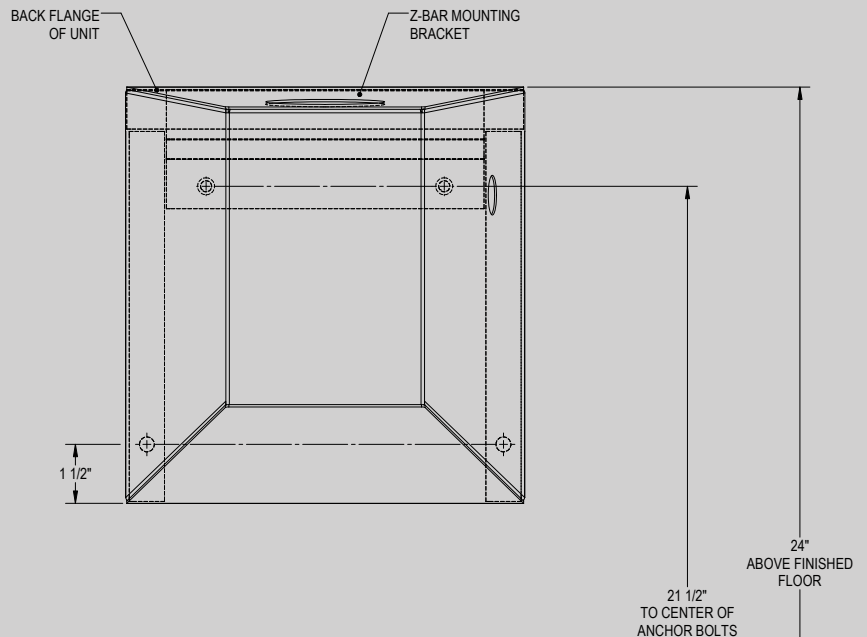
- Cold water controls adjusts water flow.



- Z-Clip is provided to make installation as easy as possible. Mount z-clip to desired area.
- Connect plumbing per local code.
- Single point water connection and drain connection.
- Complete mounting by placing collection station on z-clip
- Anchor bolts are to be tightened and secured, along with bottom plate with provided hardware.



Plumbing Connections



Mounting Holes