



The portable mortuary rack is ideal for a variety of cadaver storage applications. It is more compact than conventional cantilever storage units allowing for greater storage capacity without increasing space.

Stainless Steel Units/Overall Height

Model No.	
7010-2 Tier	33.75 in./85 cm.
7010-3 Tier	50.25 in./127 cm.
7010-4 Tier	66.75 in./169 cm.
7010-5 Tier	83.25 in./211 cm.

STANDARD DESIGN FEATURES

- Unit is fabricated from heavy gauge stainless steel
- 6 in./15 cm casters, all with brake mechanism, allow for easy movement
- Roller assemblies mounted in each bay make loading and unloading the cadaver tray easy
- Designed for use with the Series T3626 Stainless Steel Cadaver Tray
- Unit can be easily loaded and unloaded by one person with our Series M600 Roller Pallet Assembly which fastens to any of our Cadaver Lifts

OPTIONAL FEATURES

- Custom height and bay width per customer requirements
- Mounted leveling feet
- Available for 23", 27" & 30" trays



The Series 7010 shown accompanied by the Series M678 Hydraulic Cadaver lift w/Roller Pallet.

Complete your facility by adding a 600038 Autopsy Carrier w/Rollers.

SERIES 7010 PORTABLE MORTUARY RACK w/ROLLERS

411 North Aerojet Avenue
Azusa, CA 91702
www.mortechmfg.com

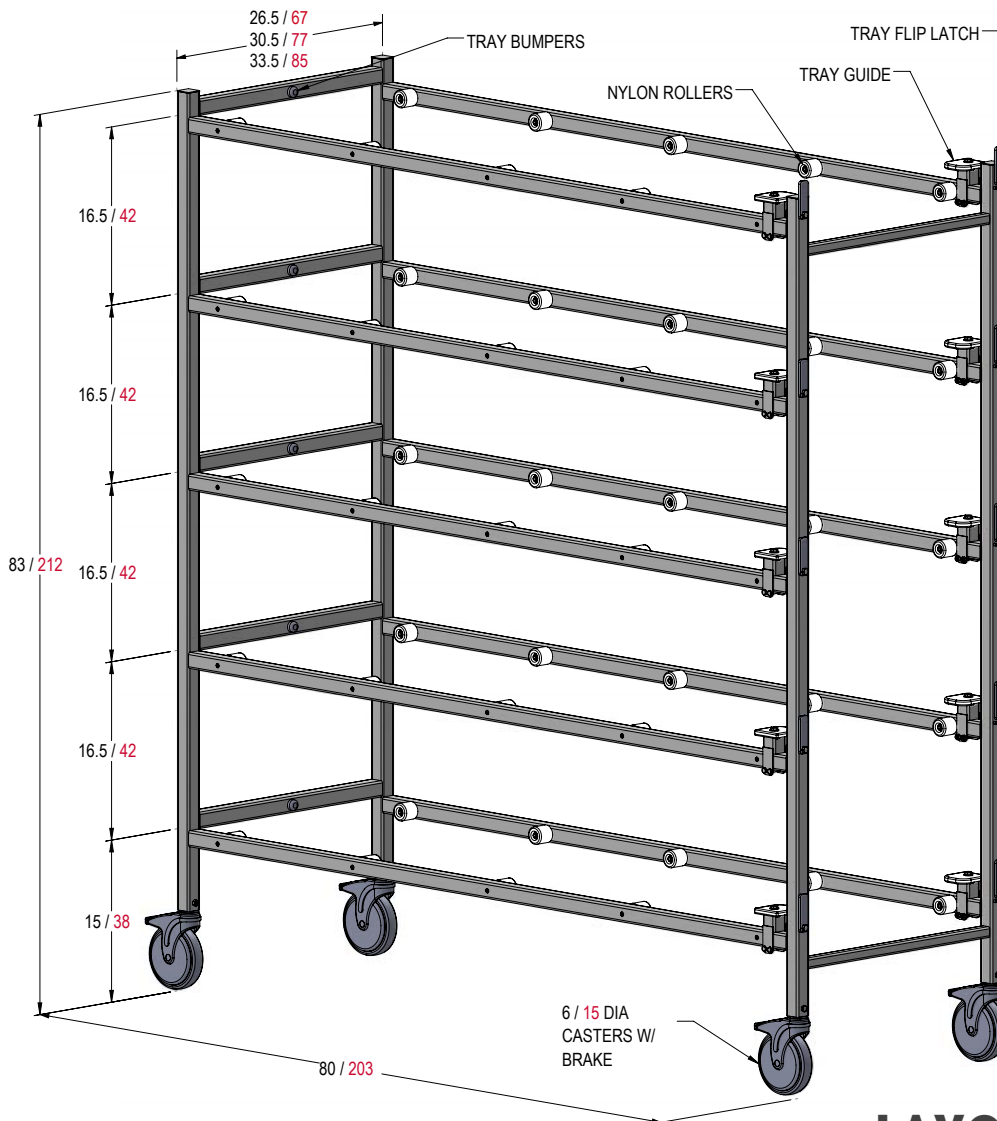
T(800) 410-0100
T(626) 334-1471
F(626) 334-1704

SERIES 7010



Optional Accessories

Designed for use with our Series T3626 Stainless Steel Body Trays. The rolled edge of the tray provides a rigid platform and perfect edge to slide from roller to roller.



SERIES 7010-5 Shown

T(800) 410-0100
T(626) 334-1471
F(626) 334-1704

411 North Aerojet Avenue
Azusa, CA 91702
www.mortechmfg.com

**SERIES 7010
LAYOUT DRAWING**

11-09

SERIES 7010-MTA MORTUARY RACK with ADJUSTABLE TIER HEIGHTS

CADAVER HANDLING
& STORAGE SYSTEMS



This stationary mortuary rack with adjustable height rollers is ideal for a variety of cadaver storage applications. It is more compact than conventional cantilever storage units allowing for greater storage capacity without increasing space.

Stainless Steel Units

Model No.

7010-3MTA	7010-3MTA-27	7010-3MTA-30
7010-4MTA	7010-4MTA-27	7010-4MTA-30
7010-5MTA	7010-5MTA-27	7010-5MTA-30

STANDARD DESIGN FEATURES

- Unit is fabricated from heavy gauge stainless steel
- Height adjustable roller assemblies
- Roller assemblies mounted in each bay make loading and unloading the cadaver tray easy
- Adjustable floor mountable feet
- Designed for use with the Series T3626 Stainless Steel Cadaver Tray
- Unit can be easily loaded and unloaded by one person with our Series M600 Roller Pallet Assembly which fastens to any of our cadaver lifts
- Modular style rack. Panels disassemble to facilitate transport.

OPTIONAL FEATURES

- Custom height and bay width per customer requirements
- Available for 23", 27" & 30" trays

Roller Height Adjustment:



Optional Accessories

Designed for use with our Series T3626 stainless steel body trays. The rolled edge of the tray provides a rigid platform and perfect edge to slide from roller to roller.



11-10

411 North Aerojet Avenue
Azusa, CA 91702
www.mortechmfg.com

(4) ADJUSTABLE FLOOR
MOUNTED FEET

T(800) 410-0100
T(626) 334-1471
F(626) 334-1704