

BODY TRANSPORTER & REMOVAL COITS

The Model 600040-DS Covered Cadaver Scissor Carrier with full rollers allows for the concealed removal and transport of a decedent. The canopy frame is made of a strong lightweight aluminum. The top roller frame allows for easy transfer of the body tray from the carrier to the lift or to the refrigerator. The carrier features full stainless steel construction with adjustable elevation via handheld control.

STANDARD DESIGN FEATURES

Width:27 in./67 cm.
Length:82 in./208 cm.
Height: 15.25 in./40 cm. (Lowest)
Height: 59.75 in./152 cm. (Highest)
Design Load: 500 lbs./226.8 kg.

- Heavy gauge stainless steel roller frame
- Scissor lift with height adjustments
- (4) 6 in./15 cm. Swivel casters w/ brake
- Sturdy, lightweight aluminum top frame to conceal cadaver and is easily removable
- Custom fabricated cover made of gray launderable cloth
- Scissor lift mechanism elevates cadaver tray to 59.75 in./152 cm.

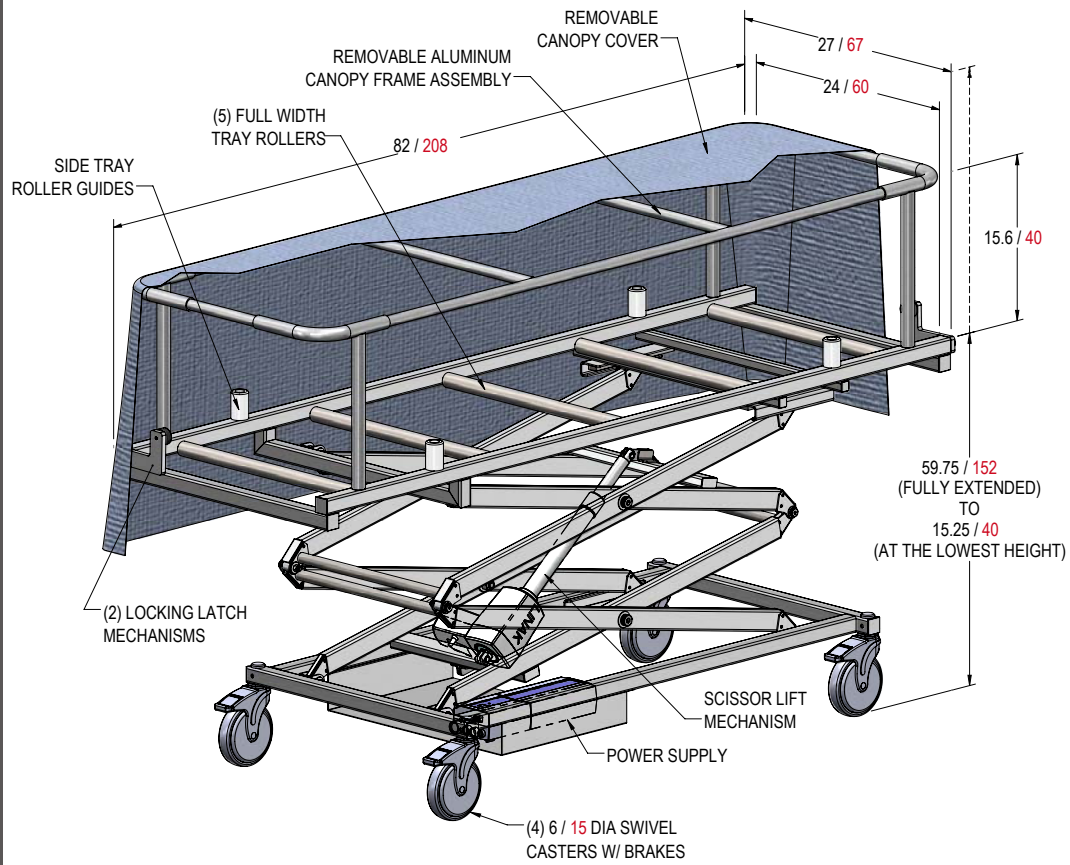
All measurements are inches/centimeters

OPTIONAL FEATURES

- Integrated Foot pedal
- Design for a 27" or 30" tray size

TRANSFER FROM LIFT TO REFRIGERATOR

Once the T3626 body tray has been transferred to the 600040-DS, it can then be used to place the decedent into your storage system and/or mortuary refrigerator.



600040-DS



MODEL 600040-DS COVERED CADAVER SCISSOR CARRIER

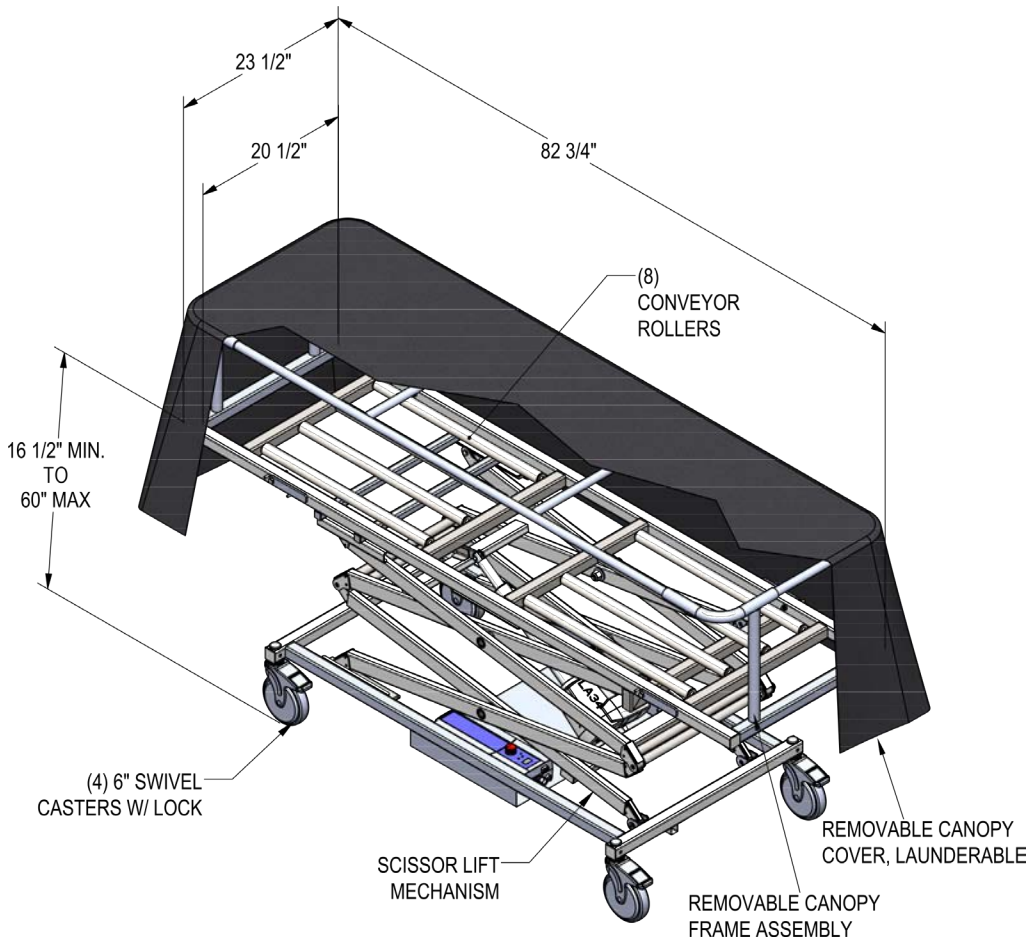
T(800) 410-0100
T(626) 334-1471
F(626) 334-1704

411 North Aerojet Avenue
Azusa, CA 91702
www.mortechmfg.com

BODY TRANSPORTER & REMOVAL COITS



Side-loading option
Model 600040 DS-SL



The Model 600040-DS SL Covered Cadaver Scissor Carrier with full side-loading rollers allows for the concealed removal and transport of a decedent. The canopy frame is made of a strong lightweight aluminum. The top roller frame allows for easy transfer of the body tray from the carrier to the lift or to the refrigerator. The carrier features full stainless steel construction with adjustable elevation via handheld control.

STANDARD DESIGN FEATURES

Width:27 in./67 cm
Length:82.75 in./210 cm
Height:16.5 in./42 cm (Lowest)
Height:60 in./152 cm (Highest)
Design Load:.....500 lbs./226.8 kg

- Heavy gauge stainless steel side-loading roller frame
- Scissor lift with height adjustments
- (4) 6 in./15 cm Swivel casters w/ brake
- Sturdy, lightweight aluminum top frame to conceal cadaver and is easily removable
- Custom fabricated cover made of gray launderable cloth
- Scissor lift mechanism elevates cadaver tray to 60 in./152 cm.

All measurements are inches/centimeters

OPTIONAL FEATURES

- Integrated Foot pedal
- Design for a 27" or 30" tray size.