



**MODEL M678  
HYDRAULIC  
LIFT w/ SERIES  
7005 CANTILEVER  
STORAGE RACK**

## CADAVER HANDLING & STORAGE SYSTEMS

The cantilever storage system with casters is designed to support up to 300 lbs./136 kg. per level in a free-standing position. Casters allow mobility for transport or cleaning purposes. Manufactured from stainless steel or powder coated steel, these racks are designed for heavy-duty use with the following features and materials.

### STANDARD DESIGN FEATURES

#### Powder Coated Steel Units/Overall Height

Model No.	
7005-3PC 3 Tier	44.56 in./113 cm.
7005-4PC 4 Tier	61.06 in./156 cm.
7005-5PC 5 Tier	77.56 in./197 cm.

#### Stainless Steel Units/Overall Height

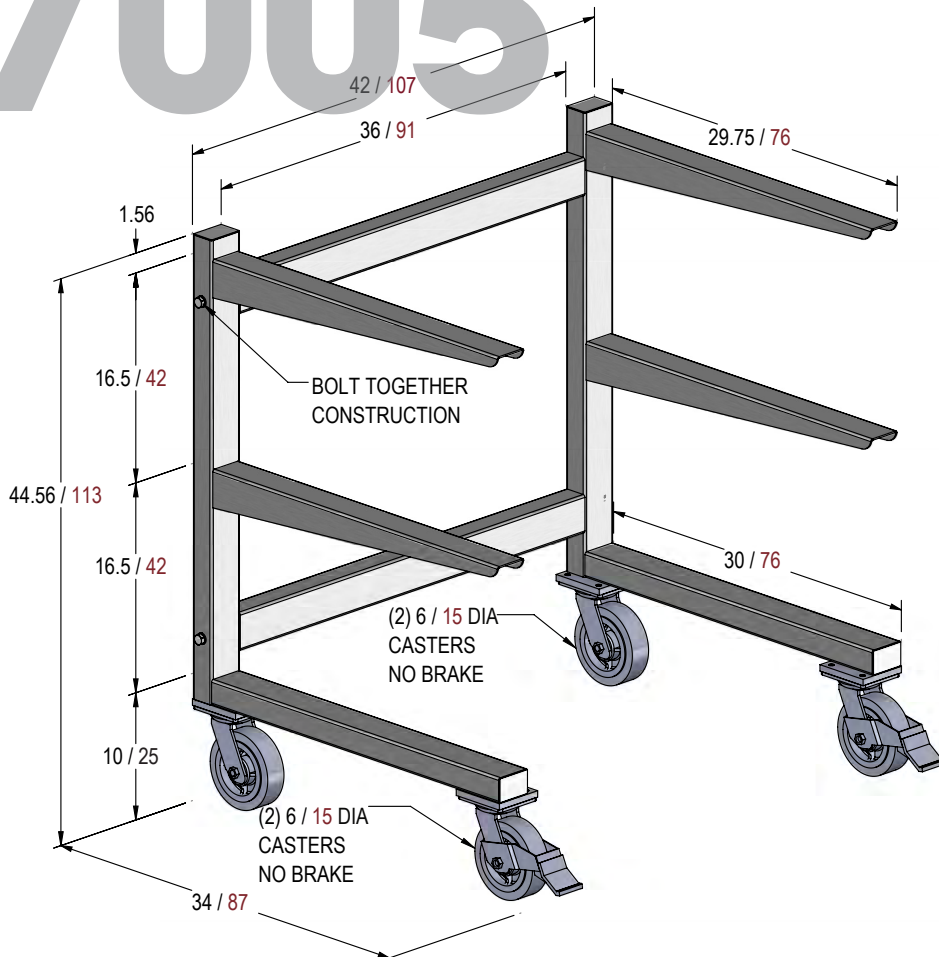
Model No.	
7005-3SS 3 Tier	44.56 in./113 cm.
7005-4SS 4 Tier	61.06 in./156 cm.
7005-5SS 5 Tier	77.56 in./197 cm.

#### Vertical and horizontal columns are (Tubular steel)

Length:	2 in./5 cm.
Width:	3 in./7 cm.
Thickness:	0.12 in./1 cm.

- Cantilever arms are .120 thick steel and are welded to the vertical columns
- Each tier will support in excess of 300 lbs./136 kg.
- Finish is rust and corrosion resistant powder coated or stainless steel
- Units are equipped with heavy-duty 6 in./15 cm. diameter casters, front two with brake mechanism
- Cadaver lift accessible
- Adjustable Series 7005-A (Optional)
- The unit ships knocked down and requires assembly

# 7005



## SERIES 7005 MOBILE CANTILEVER STORAGE SYSTEM



T(800) 410-0100  
T(626) 334-1471  
F(626) 334-1704

411 North Aerojet Avenue  
Azusa, CA 91702  
www.mortechmfg.com

MODEL 7005-3SS

11-03