

STANDARD DESIGN FEATURES

Dimensions

Width:..... 108 in./274 cm.
 Depth:..... 97 in./246 cm.
 Height:..... 83 in./211 cm.

Doors (6)

Width:..... 27 in./68 cm.
 Height:..... 22 in./55 cm.

- Overlap door w/ magnetic gasket

Installation

- Unit ships knocked down and will require assembly

Exterior of Box

- Front - .032 in. Type 304 stainless steel with a No. 4 finish.
- Top, sides, and back - .040 in. stucco embossed aluminum

Interior of Box

- Walls & ceiling - .040 in. stucco embossed aluminum
- Floor .032 in. smooth aluminum with .75 in/2 cm. CDX plywood reinforced understructure

Insulation

- 4 in./10 cm. foamed in place urethane (UL listed, Class 1)

Rack System

- (6) three piece telescopic fabricated of extruded aluminum with nylon rollers

Removable tray

- (6) 18 gauge Type 304 stainless steel w/No 4 finish

Hardware

- Heavy-duty chrome plated hardware for long lasting use

Lighting

- (1) vapor proof light w/switch

Refrigeration

- Drop-in self-contained refrigeration system with digital thermometer and easy to adjust temperature controller

Operating temperature

- 38°F/3.3°C

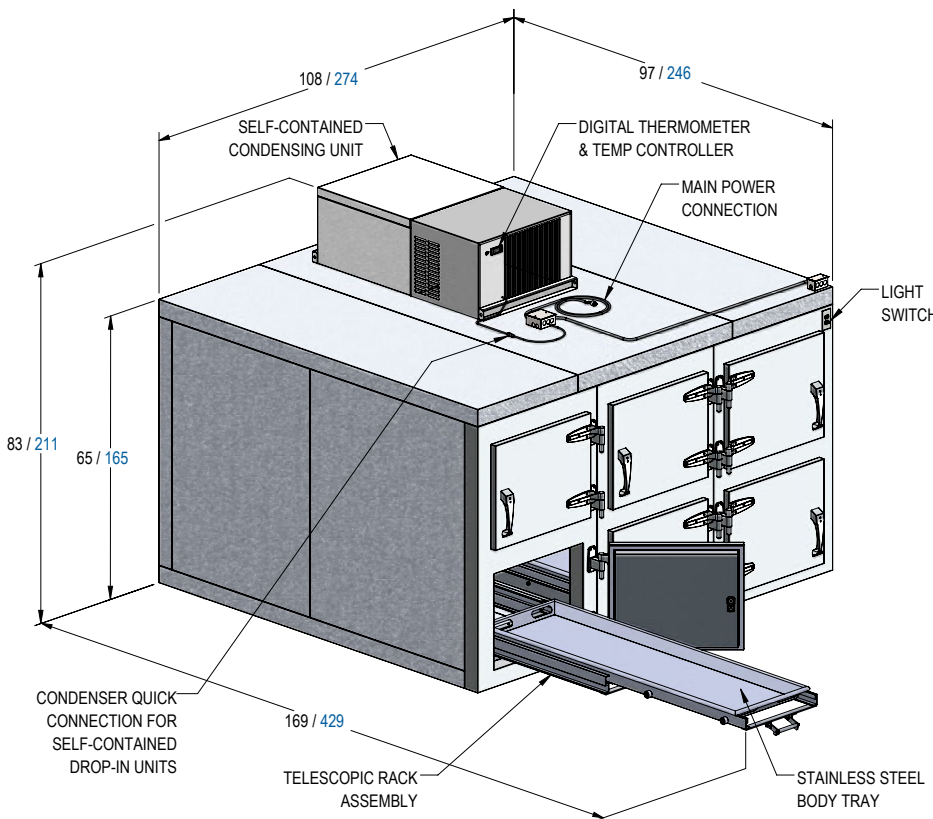
Electrical

- ~208-230V/50-60Hz/1Ph

**Freezer model available:
 Model 1036-F108 Freezer
 operating temp. 0°F/-17.8°C**

OPTIONAL FEATURES

- Custom sizes for larger cases
- Full length interior roller racks
- HD plastic storage boards



~115V/60Hz/1Ph Model Shown

MODEL 1036-R108 SIX BODY REFRIGERATOR

T(800) 410-0100
 T(626) 334-1471
 F(626) 334-1704

411 North Aerojet Avenue
 Azusa, CA 91702
 www.mortechmfg.com