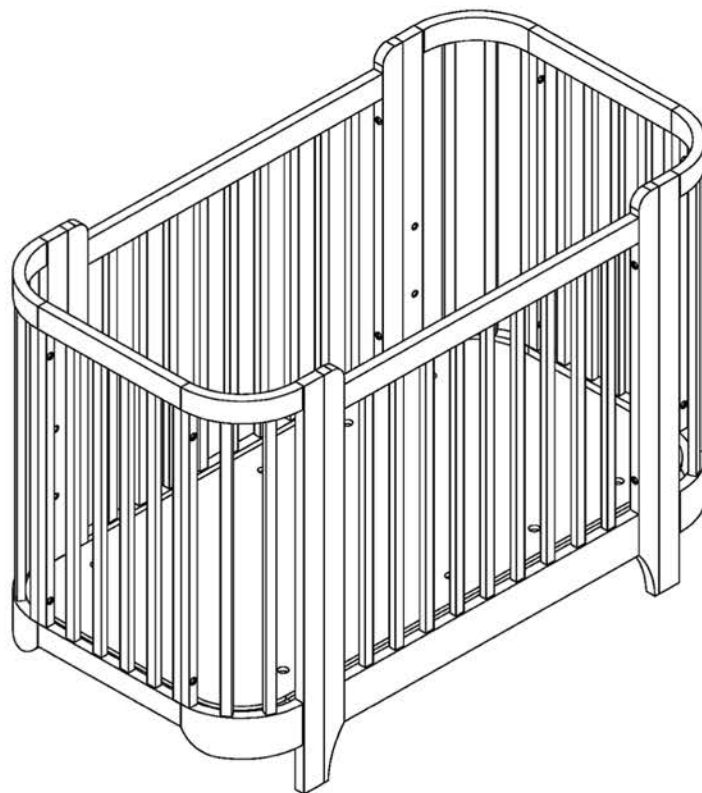


# YOUR LUNA COT ASSEMBLY GUIDE



sleep well with... **KUB**

 Like us on Facebook [www.facebook.com/kubnursery](http://www.facebook.com/kubnursery)

Thank you for purchasing KUB nursery furniture.  
This simple guide should ensure you have your furniture up in no time!

Once your KUB furniture is done, why not join us on facebook or visit our website where you will find lots of sleep advice, top tips & fact packed features to ensure that you & your baby get that perfect night's sleep.

*sleep well...*

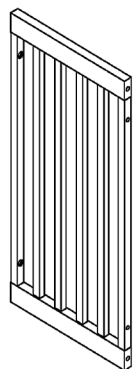


[www.kubnursery.com](http://www.kubnursery.com)

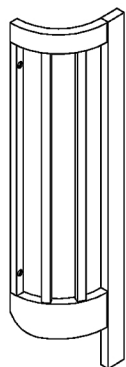
 [www.facebook.com/kubnursery](https://www.facebook.com/kubnursery)

Should you have any problems with your KUB product,  
Please visit our websites above or email:  
[customercare@kubproducts.com](mailto:customercare@kubproducts.com)

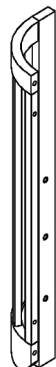
## YOUR SIMPLE PARTS LIST



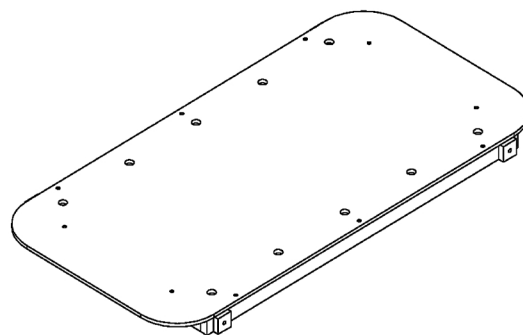
① x 2



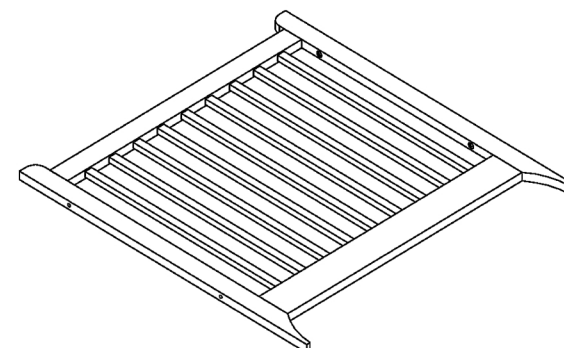
② x 2



③ x 2

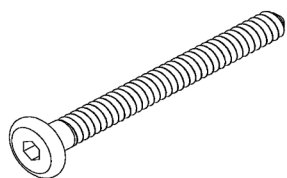


④ x 1

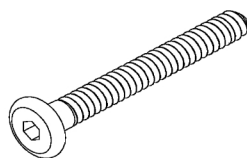


⑤ x 2

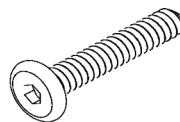
## ALL THE FITTINGS YOU WILL NEED



① x 8  
(M6x60mm)



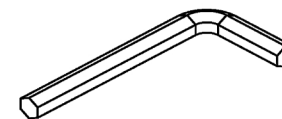
② x 4  
(M6x50mm)



③ x 8  
(M6x30mm)

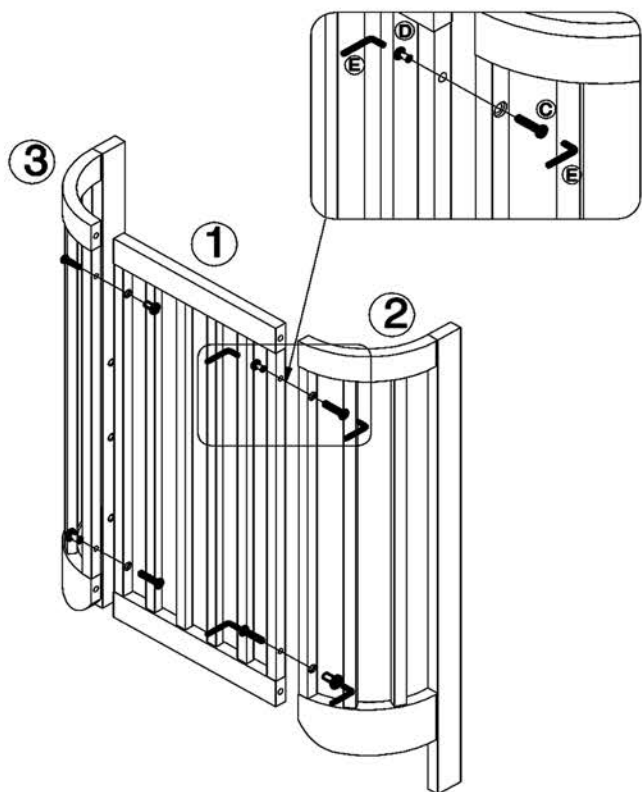





④ x 8  
(M6x13mm)



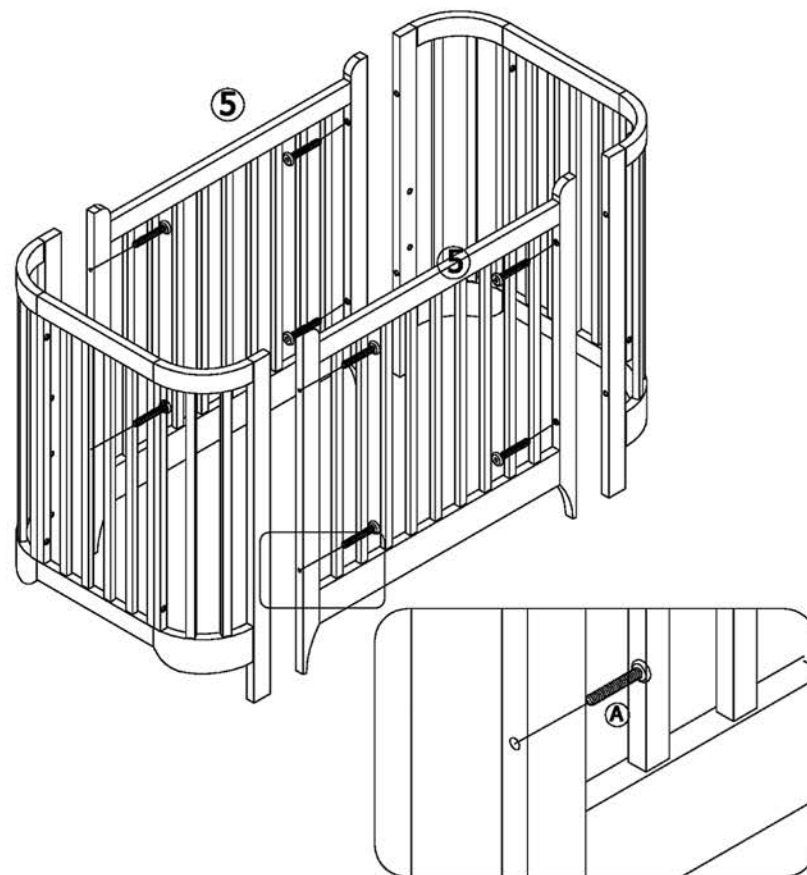
⑤ x 2

1. x 2



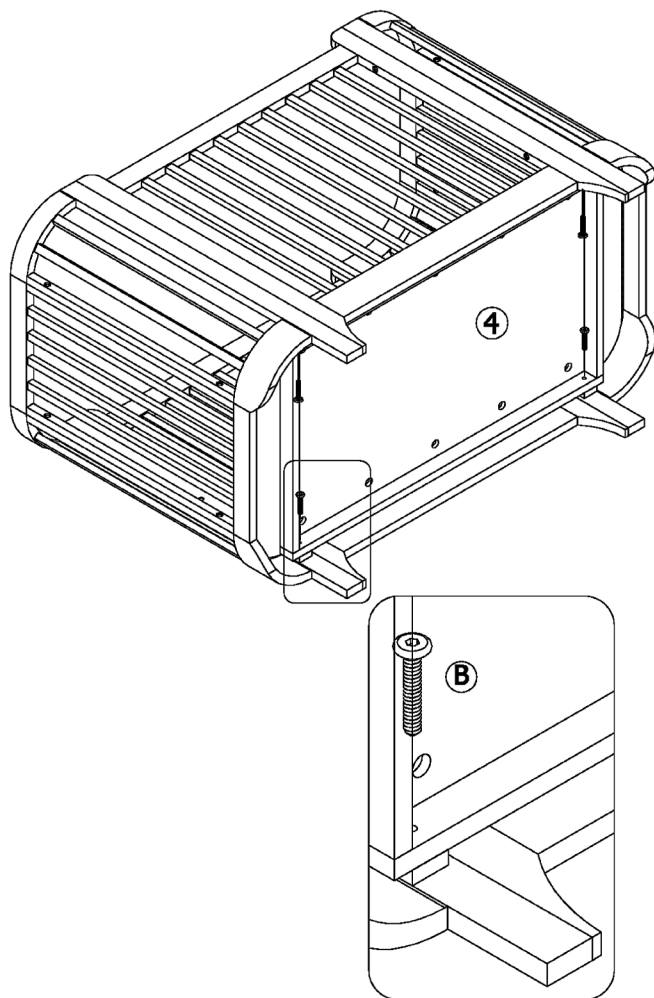
C		8
D		8
E		2

2.

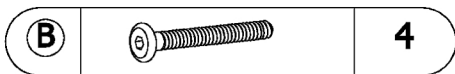
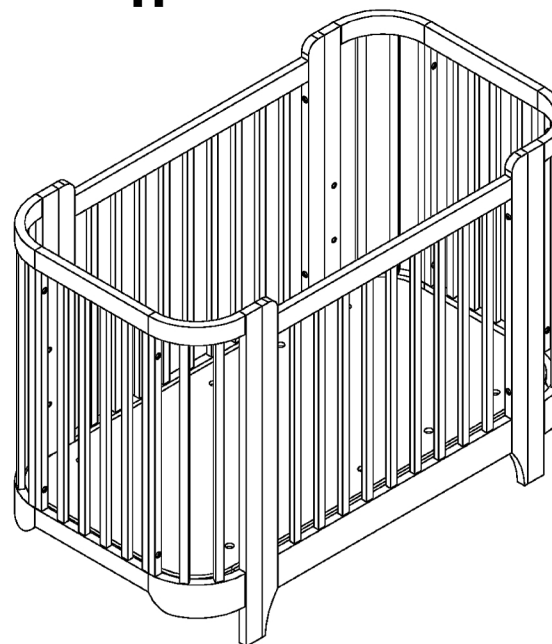


A		8
---	---	---

3.



4.



*The serious Bit.....*

**KUB**

## **IMPORTANT, RETAIN FOR FUTURE REFERENCE: READ CAREFULLY**

### **Warnings:**

- a) Warning: Be aware of the risk of open fire and other sources of strong heat, such as electric bar fires, gas fires, etc. in the near vicinity of the cot.
- b) Warning: Do not use the cot if any part is broken, torn or missing and use only KUB spare parts.
- c) Warning: Do not leave anything in the cot or place the cot close to another product, which could provide a foothold or present a danger of suffocation or strangulation (e.g. strings, blind/curtain cords, etc).
- d) Warning: Do not use more than one mattress in the cot.
- e) This cot has 3 height positions. Please note that the lowest position is the safest and should be used as soon as the child is old enough to sit up.
- f) The thickness of the mattress used shall be such that the internal height (surface of the mattress to the upper edge of the cot frame) is at least 500mm in the lowest position of the cot base and at least 200mm in the highest position of the cot base.
- g) For safety reasons we recommend the use of a KUB Luna Cot mattress (1186mm x 602mm x 100mm).
- h) Please make sure that all assembly fittings are always tightened properly; please check them regularly in case they need retightening. Screws shall not be loose, as a child could trap parts of the body or clothing. There could be a risk of strangulation.
- i) This cot/bed can be cleaned with a damp cloth. Occasional use of furniture polish can help maintain its good condition. Never use bleach or aggressive abrasives.
- j) All parts and fittings have been designed to be constructed once. Do not disassemble for storage or transport.
- k) The mattress used in this cot should be 602mm (width) x 1186mm (length) the gap between the mattress and the sides and ends should not exceed 30mm.
- l) When your child is able to climb out of the cot, the cot should no longer be used for that child.
- m) This cot conforms to BS EN 716 part 1 & 2: 2008+ A1: 2013.
- n) Only KUB replacement parts should be used.