

HAYWOOD RECLINING GLIDER & FOOTSTOOL ASSEMBLY GUIDE



CODE	COLOUR
39401451	White
39401453	Dark
39401460	Grey
39401471	Chevron
39401483	Baby Blue
39401482	Dusky Pink

sleep well with... **KUB**



/kubdirect Follow us on Instagram and share your beautiful nursery with us!



/kubdirect Like us on Facebook for sleep tips and advice...

Thank you for purchasing KUB nursery furniture.
This simple guide should ensure you have your furniture up in no time!

Once your KUB furniture is done, why not join us on facebook or visit our website where you will find lots of sleep advice, top tips & fact packed features to ensure that you & your baby get that perfect night's sleep.

sleep well...

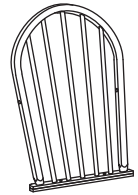


www.kubdirect.co.uk

 www.facebook.com/kubdirect

Should you have any problems with your KUB product,
Please visit our websites above or email:
customercare@kubproducts.com

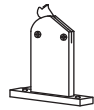
YOUR SIMPLE PARTS LIST



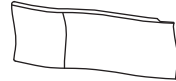
01 x 1



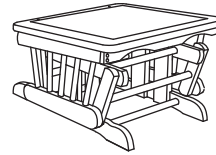
02 x 2



03 x 2



04 x 2



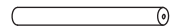
05 x 1



06 x 1



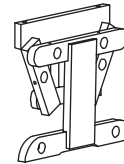
07 x 1



08 x 4



09 x 2



10 x 2



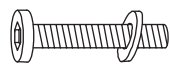
11 x 1

THE TOOLS REQUIRED TO DO THE JOB

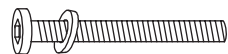
KUB



ALL THE FITTINGS YOU WILL NEED



(A) x 10
M6*35mm



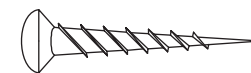
(B) x 2
M6*45mm



(C) x 1

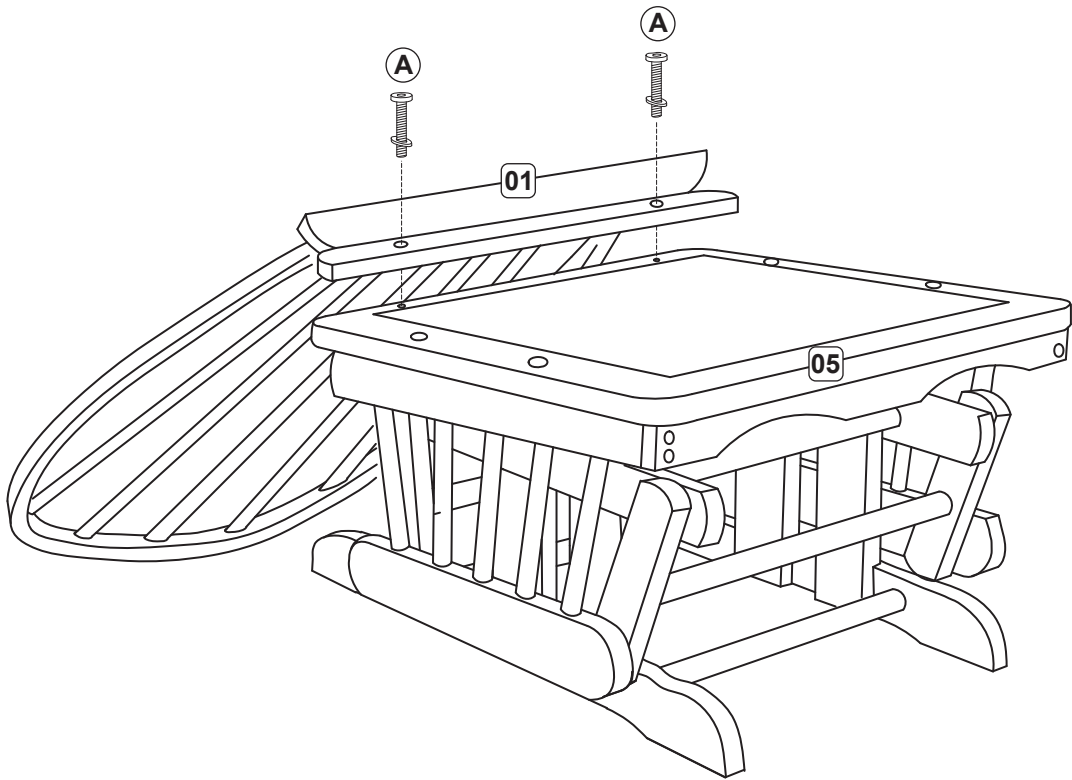


(D) x 2

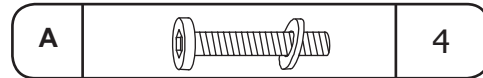
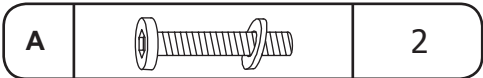
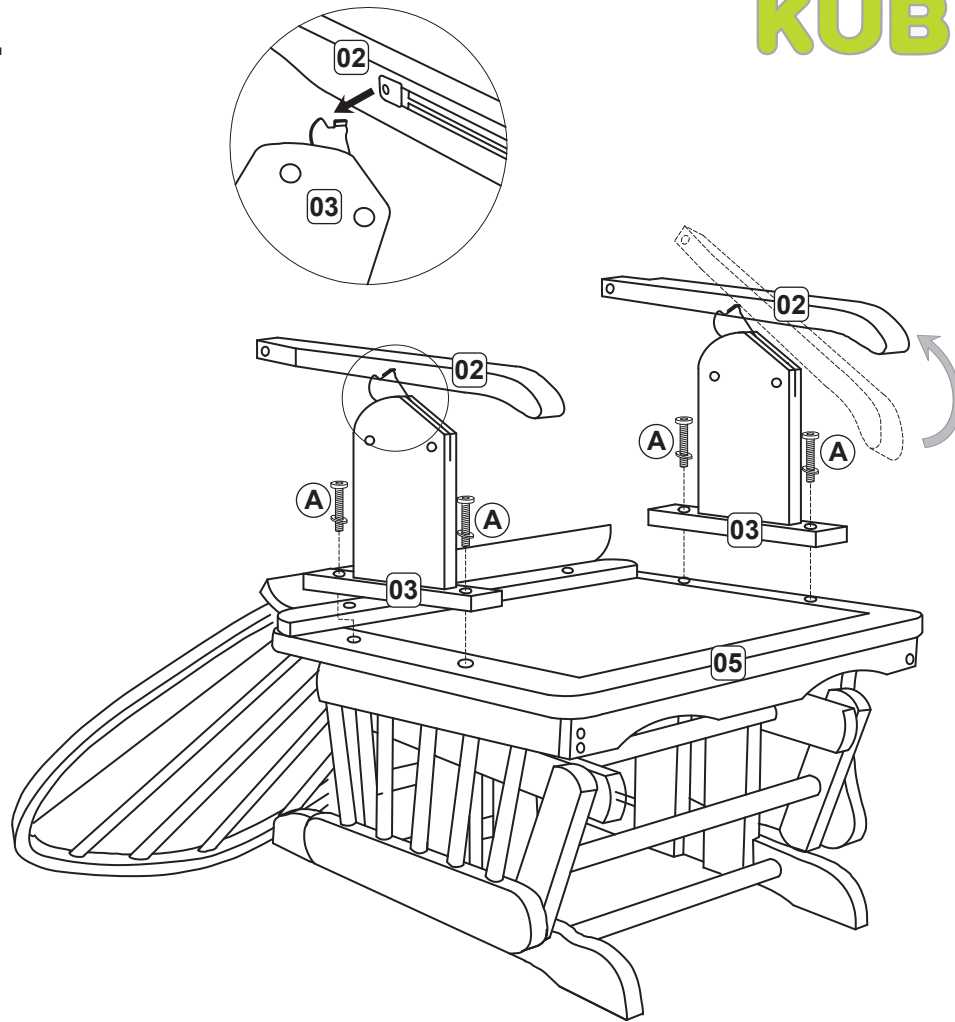


(E) x 12
M4*35mm

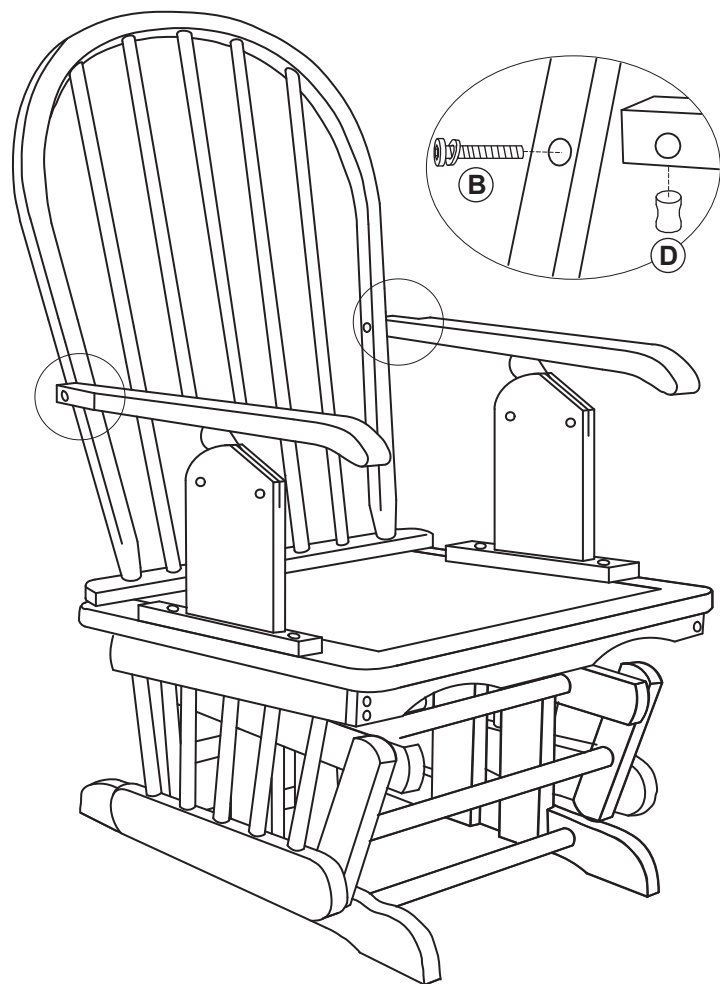
1.



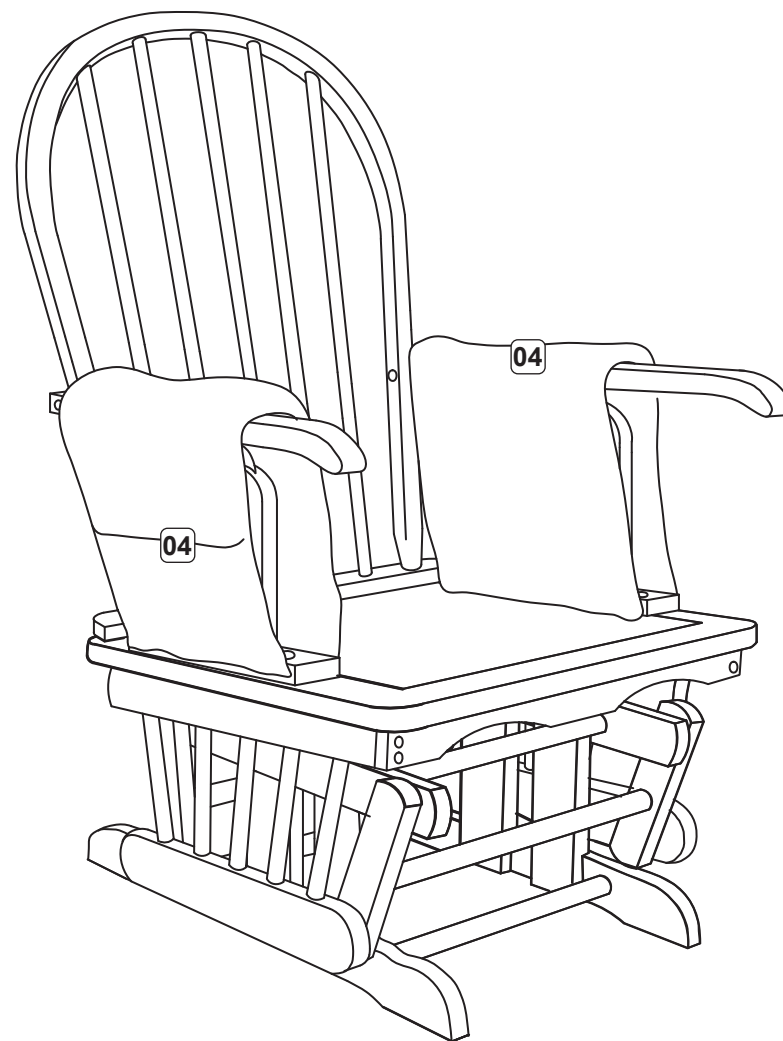
2.

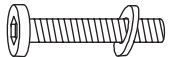



3.

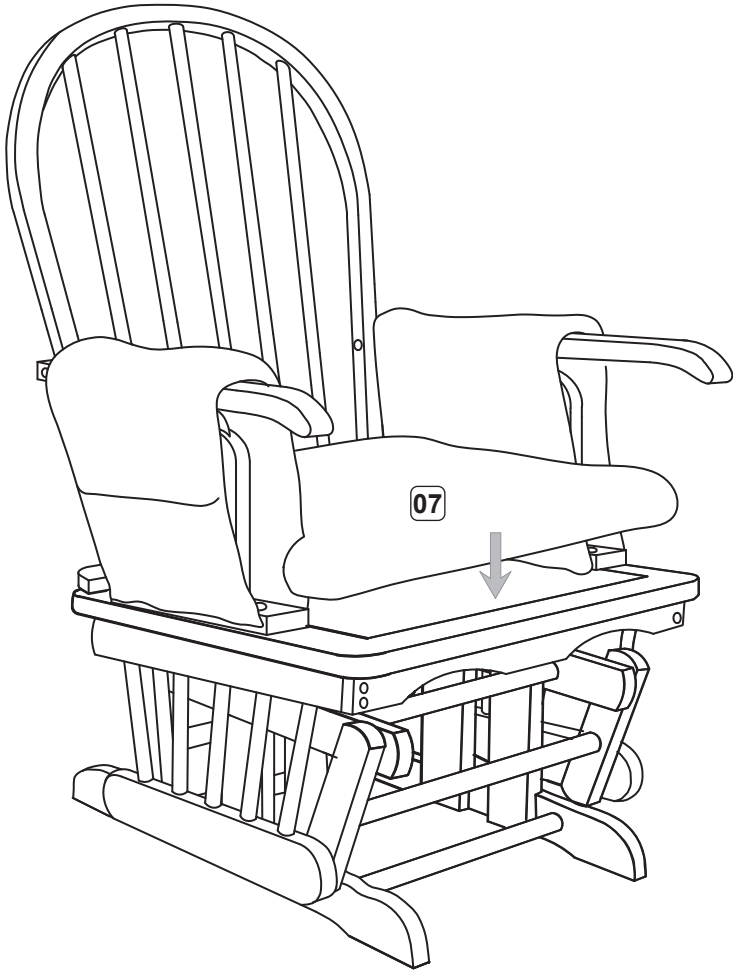


4.

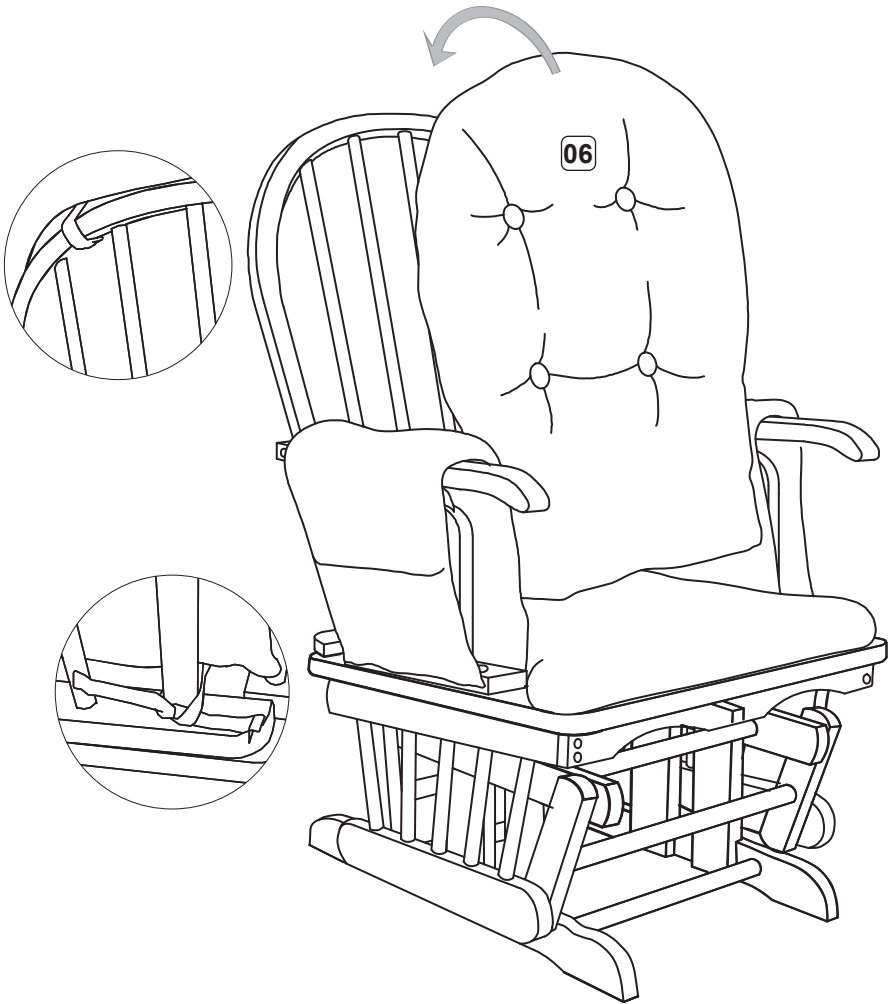


B		2
D		2

5.

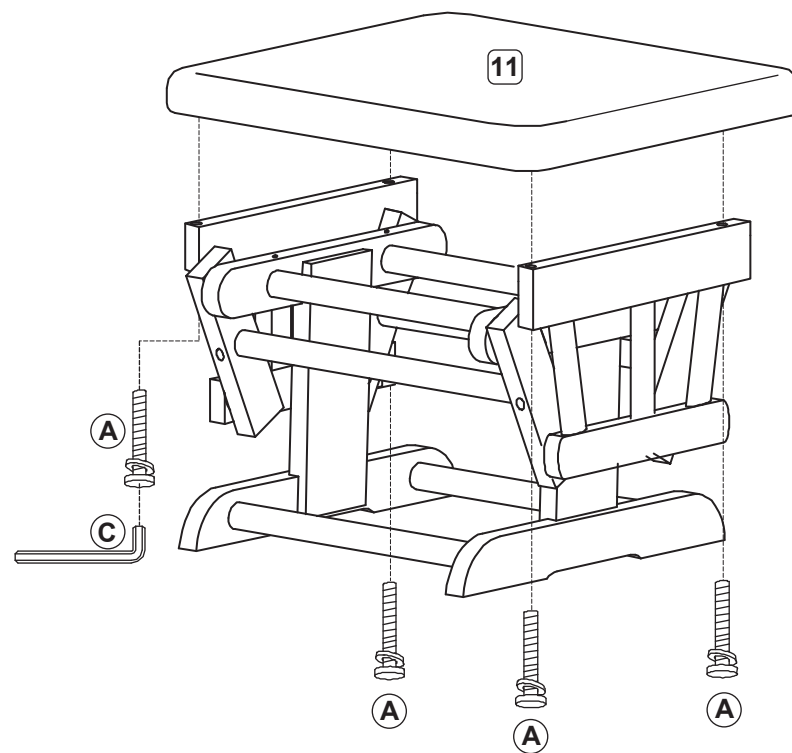
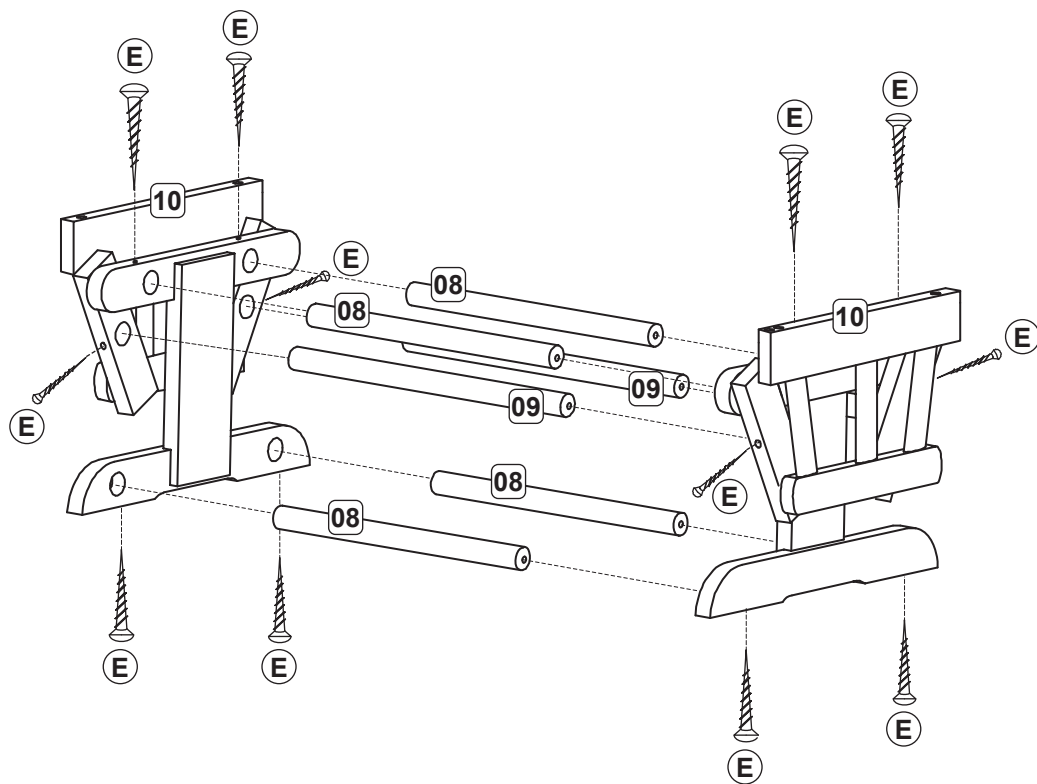



6.

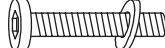



7.

8.



E		12
---	---	----

A		4
C		1

The serious Bit.....

IMPORTANT, RETAIN FOR FUTURE REFERENCE:

READ CAREFULLY

Warnings:

- a) Warning: Care should be taken as the underside mechanism of this glider could present a hazard to other people when in use.
- b) Warning: The footstool is intended to be used for supporting the feet and legs only, not for sitting on.
- c) Do not sit on the edge of the seat, armrests or on the backrest as this could cause the chair to tip over.
- d) Do not use the chair as a step stool.
- e) Do not leave children unattended on or beside the glider and foot stool.
- f) Lift the armrest front tips evenly and lean back gently to lower the reclining positions.
- g) Lift the armrest front tips evenly and pull forward gently to straighten up the reclining positions.

Care and Cleaning

Wipe away spills immediately to prevent staining.

Do not scratch or chip the finish.

Use a cloth dampened with water and/or mild soap or a professional product to clean the fabric.

Always test an inconspicuous area first.

Allow upholstery to dry and brush lightly.

Keep away from the heat to avoid glazing, melting or scorching.

Cushions are to be dry cleaned only.

Do not machine wash the cushions.