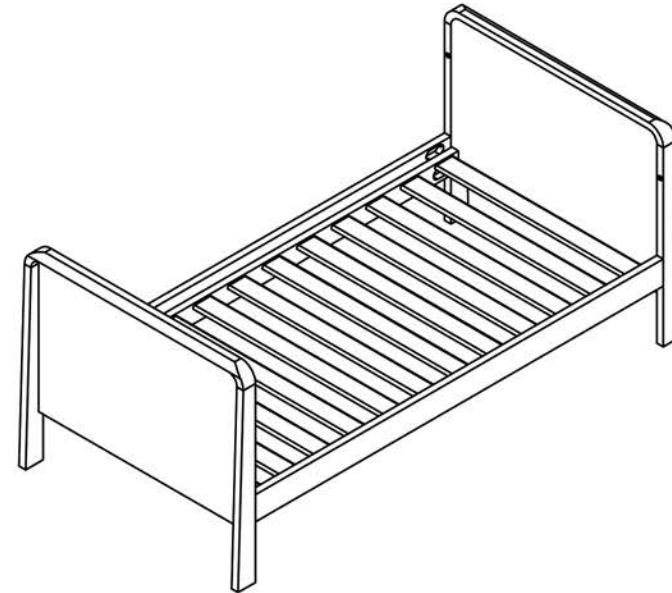


YOUR DULCIA COTBED ASSEMBLY GUIDE

CODE	COLOUR
39401469	White
39401470	White & Grey



sleep well with... **KUB**



Like us on Facebook www.facebook.com/kubnursery

Thank you for purchasing KUB nursery furniture.
This simple guide should ensure you have your furniture up in no time!

Once your KUB furniture is done, why not join us on facebook or visit our website where you will find lots of sleep advice, top tips & fact packed features to ensure that you & your baby get that perfect night's sleep.

sleep well...



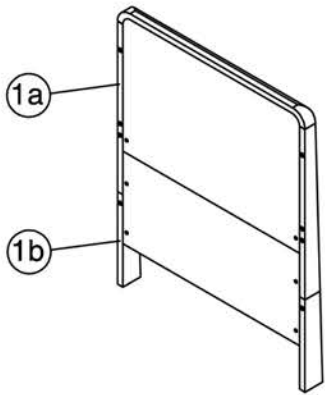
www.kubnursery.com

 www.facebook.com/kubnursery

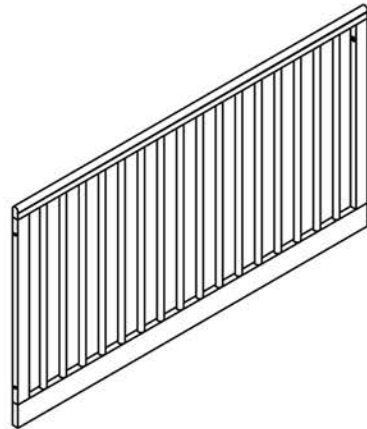
Should you have any problems with your KUB product,
Please visit our websites above or email:
customercare@kubproducts.com

YOUR SIMPLE PARTS LIST

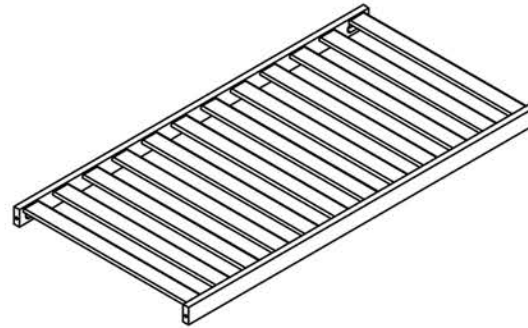
KUB



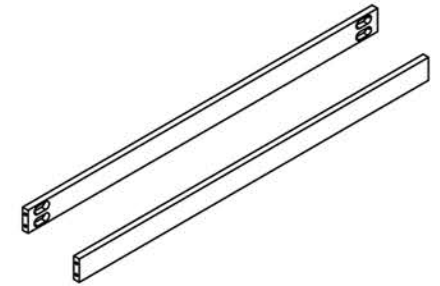
1 x 2



2 x 2



3 x 1



4 x 2

ALL THE FITTINGS YOU WILL NEED



A x 8
(M6 x 55 mm)



B x 8
(M6 x 40 mm)



C x 4
(M6 x 35 mm)



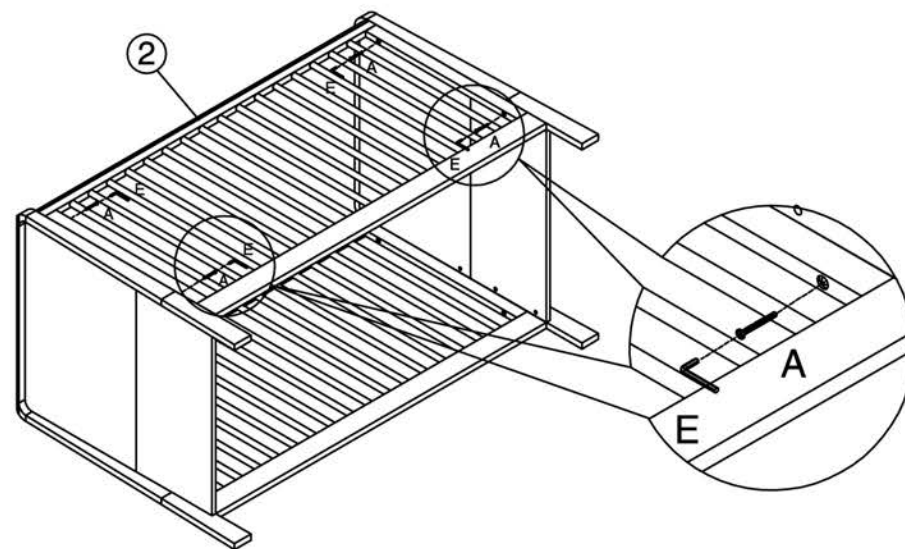
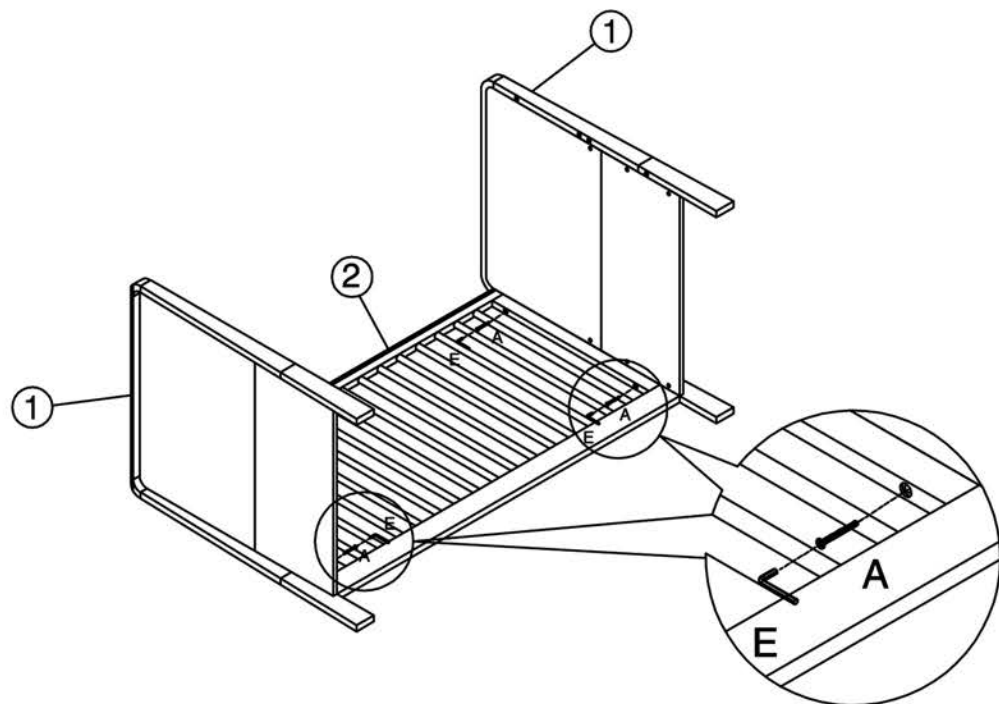
D x 4
(M6 x 15 mm)





E x 1
(4 mm x 50)

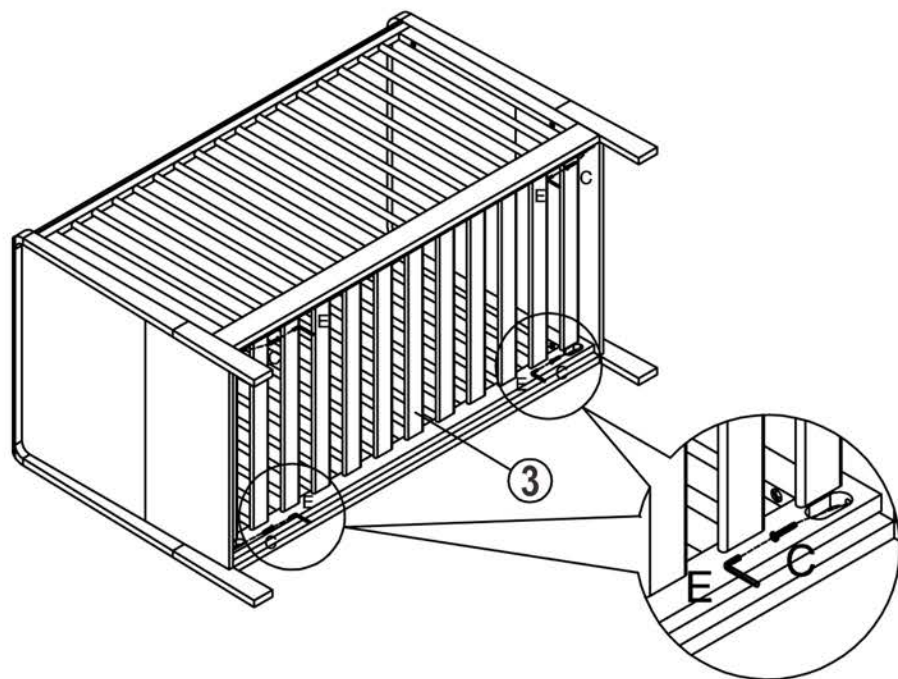
1-1.

1-2.

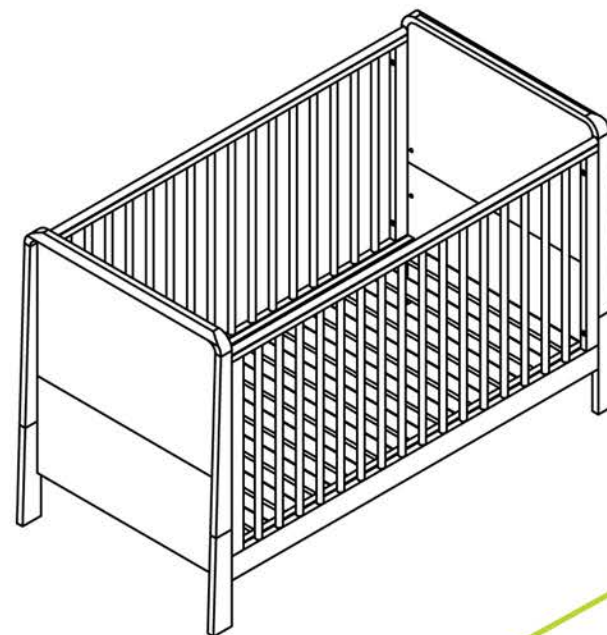




A		8
E		1

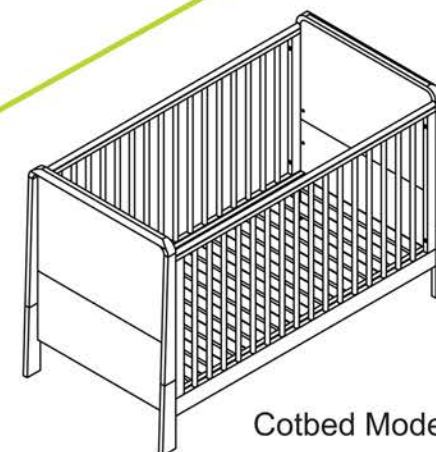
1-3.



1-4.

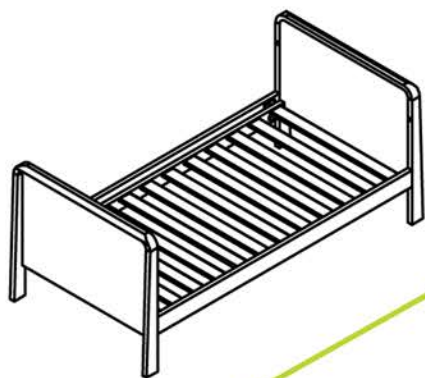


C		4
E		1

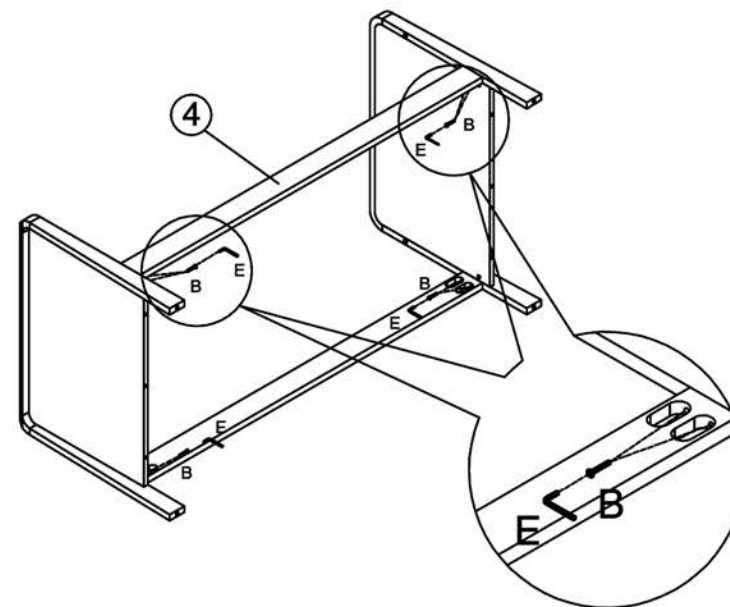
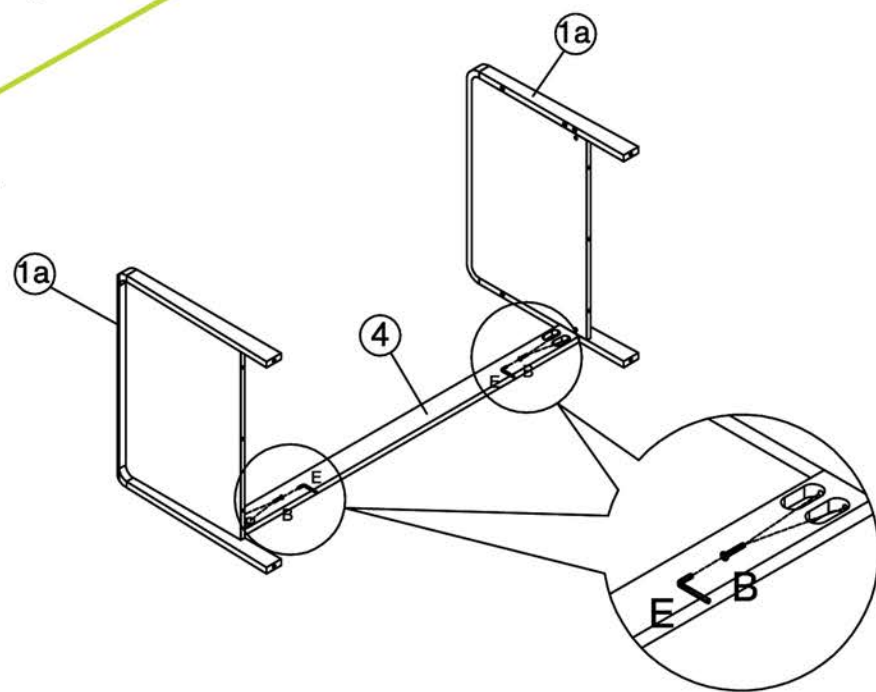




Cotbed Mode

2-2.

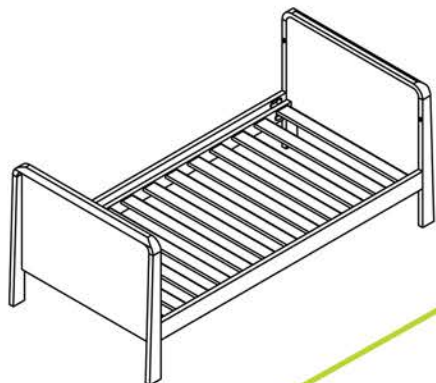


2-1.

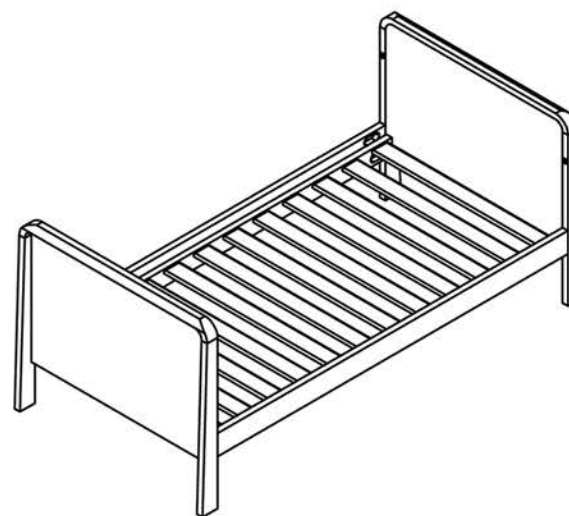
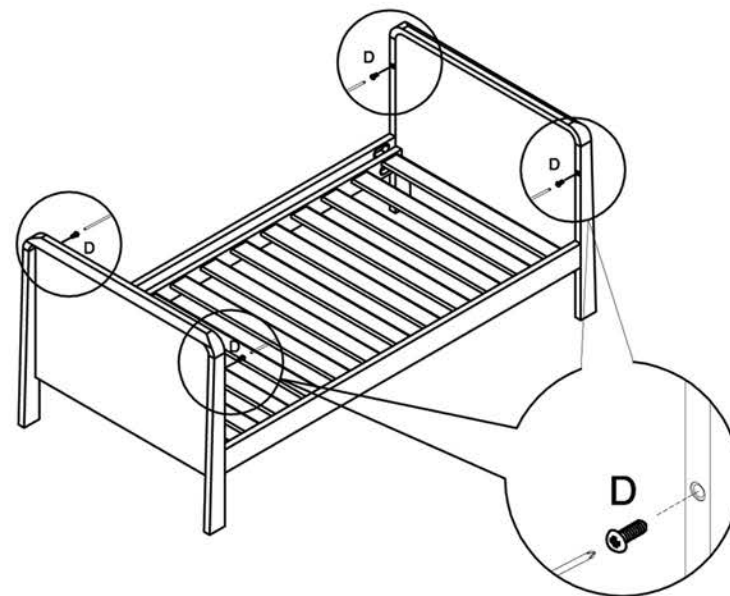
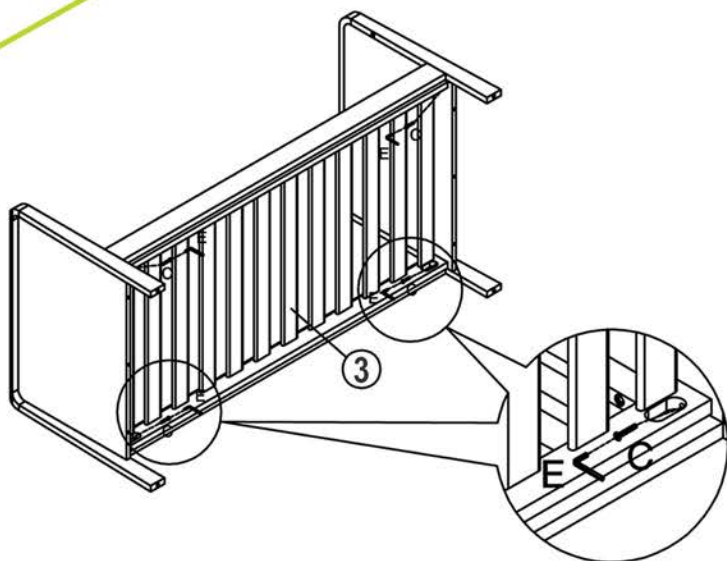





B		8
E		1

2-4.



2-3.



C		4
D		4
E		1

The serious Bit.....

KUB

**IMPORTANT, RETAIN FOR FUTURE REFERENCE:
READ CAREFULLY**

Warnings:

- a) Warning: Be aware of the risk of open fire and other sources of strong heat, such as electric bar fires, gas fires, etc. in the near vicinity of the cot.
- b) Warning: Do not use the cot if any part is broken, torn or missing and use only KUB spare parts.
- c) Warning: Do not leave anything in the cot or place the cot close to another product, which could provide a foothold or present a danger of suffocation or strangulation (e.g. strings, blind/curtain cords, etc).
- d) Warning: Do not use more than one mattress in the cot.
- e) This cot has 3 height positions. Please note that the lowest position is the safest and should be used as soon as the child is old enough to sit up.
- f) The thickness of the mattress used shall be such that the internal height (surface of the mattress to the upper edge of the cot frame) is at least 500mm in the lowest position of the cot base and at least 200mm in the highest position of the cot base.
- g) For safety reasons the top of the mattress (while using the highest position of the cot base) should never exceed the mark on the fixed rail.
- h) For safety reasons we recommend the use of a KUB mattress.
- i) Please make sure that all assembly fittings are always tightened properly; please check them regularly in case they need retightening. Screws shall not be loose, as a child could trap parts of the body of clothing. There could be a risk of strangulation.
- j) This cot/bed can be cleaned with a damp cloth. Occasional use of furniture polish can help maintain its good condition. Never use bleach or aggressive abrasives.
- k) All parts and fittings have been designed to be constructed once. Do not disassemble for storage or transport.
- l) The mattress used in this cot/bed should be 70cm (width) x 140cm (length) the gap between the mattress and the sides and ends should not exceed 30mm.
- m) When your child is able to climb out of the cot, the cot should no longer be used for that child.
- n) The cot/toddler bed conforms to BS 8509: 2008+A1: 2011 and BS EN 716 part 1 & 2: 2008+ A1: 2013.
- o) Children are likely to play, bounce, jump and climb on beds, therefore the child's bed should not be placed too close to other furniture or windows and should be placed either tight to any wall or have a gap of 300mm between the wall and the side of the bed.
- p) The toddler bed is suitable for children up to 4 years old or 50kg.
- q) Only KUB replacement parts should be used.