

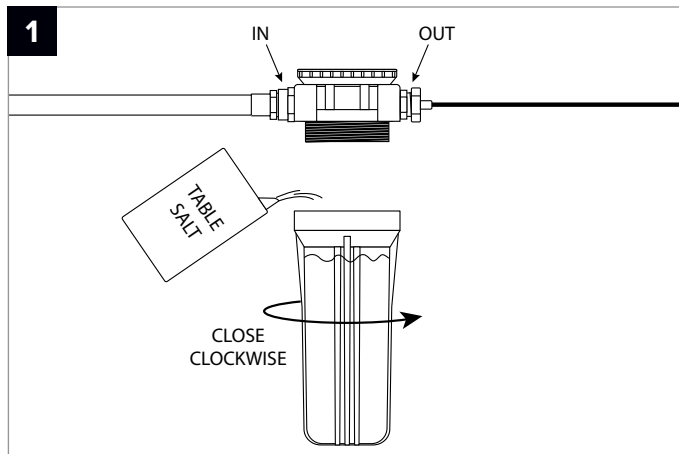


Get all your product questions answered by our Pro+Aqua certified support specialists. Visit [www.proaquawater.com](http://www.proaquawater.com) for more information.

## SALT CHART

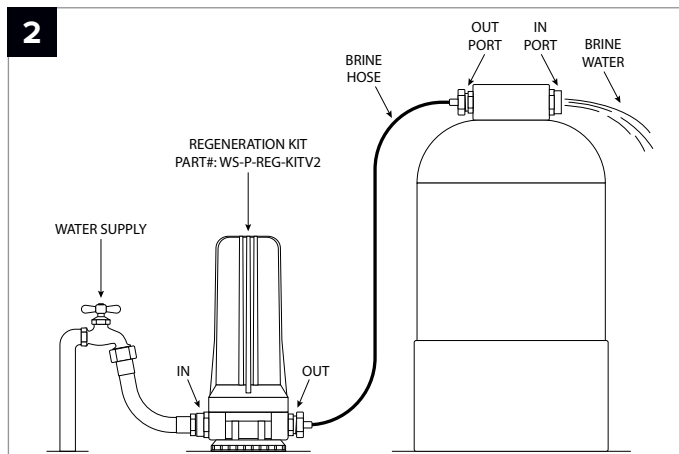
8,000 Grains	Half 26 oz. Box
16,000 Grains	One 26 oz. Box
24,000 Grains	Two 26 oz. Box
32,000 Grains	Three 26 oz. Box

## WS-P-REG-KITV2 Regenerating Instructions

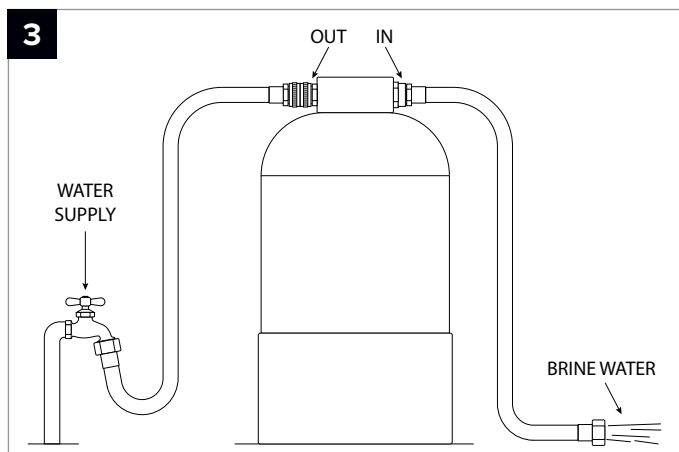


1. Remove pre-filter if installed. Fill the WS-P-REG-KITV2 housing with Standard Table Salt (see Salt Chart for correct amount) and close clockwise. Insure to clean salt from o-ring for a secure seal. Do not overfill salt pass the O-ring.
2. Connect the incoming water line to the "IN" port on the WS-P-REG-KITV2 housing.
3. Connect one end of the Brine Hose to the "OUT" port of the WS-P-REG-KITV2 housing using the QC Fitting.
4. Connect the other end of the brine hose to the "OUT" port of the softener unit using the QC Fitting. Connection should be on the "OUT" to "OUT" ports.

**Pro Tip:** For best results let the water sit in the housing overnight to allow the salt to dissolve and turn to brine.



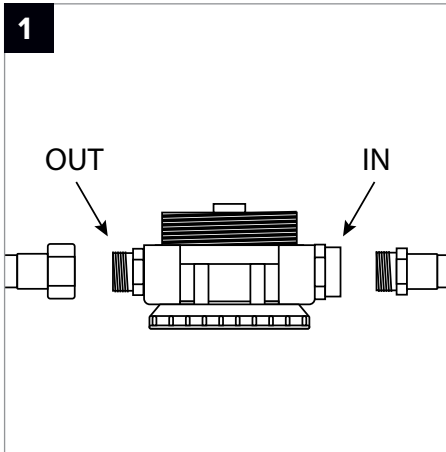
5. Stand WS-P-REG-KITV2 unit on floor.
6. Turn water on slowly until only a pencil size stream is slowly flowing from the unit for 20-30 minutes. This water contains high amounts of salt, **do not drain on grass, flowers or trees.**
7. After 20-30 minutes, turn water on all the way for an additional 10 minutes.
8. For systems larger than 16,000 grains, run additional loads as needed following the above instructions and the Salt Chart below.



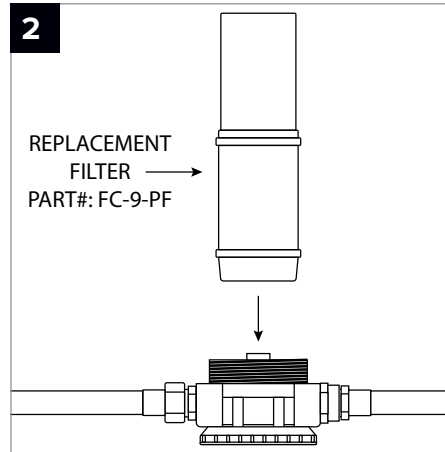
9. Turn water off and disconnect the incoming water line from the WS-P-REG-KITV2 unit and connect it directly to the "OUT" port of the softener unit (Female adapter needed, not included) then, turn the flow all the way on for 1-2 minute.
10. Once the unit has no salt water coming out, your unit is ready for use!
11. Rinse the WS-P-REG-KITV2 unit to remove remaining salt and place the pre-filter (FC-9-PF) back in housing. The WS-P-REG-KITV2 can now be used as a pre-filter.



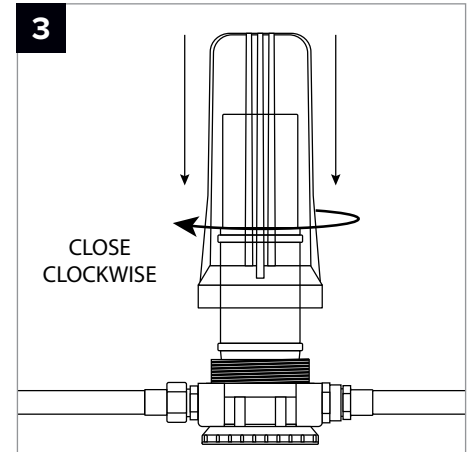
### WS-P-REG-KITV2 Pre-Filter Instructions



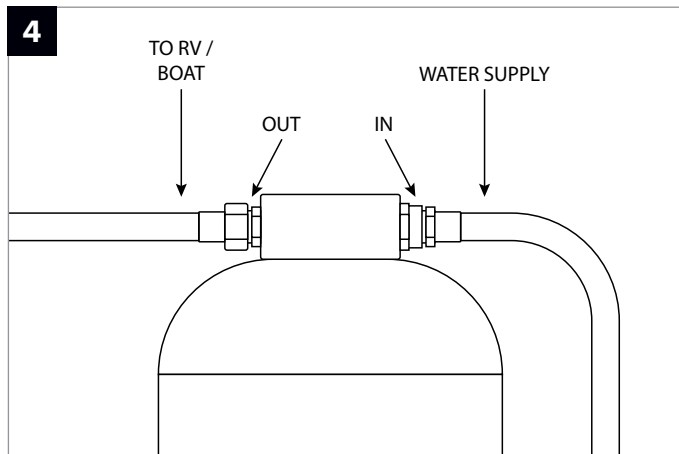
1 Connect your incoming water hose to the "IN" port and a garden hose to the "OUT" port on the WS-P-REG-KITV2 unit.



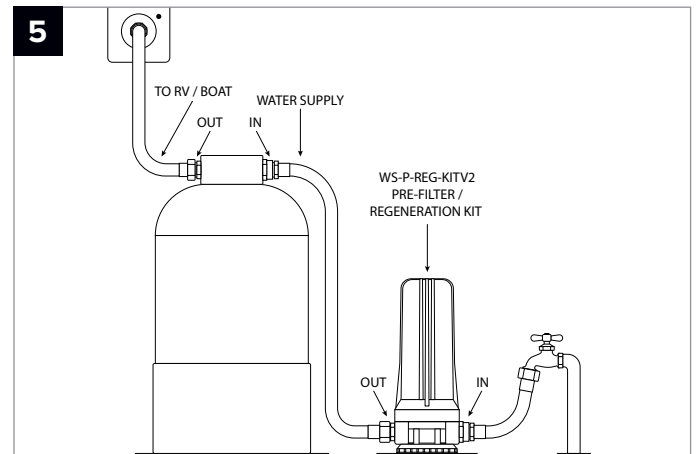
2 Install the dual filter onto the bottom cap of the WS-P-REG-KITV2 unit, ensure the filter is centered and leveled.



3 Install the housing over the filter and hand tighten clockwise. Do not over tighten or use the wrench tool.



4 Connect your incoming hose from the Pre-filter to the "IN" port on the softener unit then connect another hose to the "OUT" port on the softener unit.



5 Connect the other end of the hose from the softener unit to your "IN" port on your recreational vehicle. Turn water on slowly to fill your water storage tank.

Follow us on our social channels for updates, news, offers and more!

