

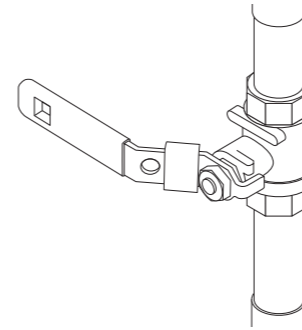
# INSTALLATION GUIDE

WHOLE-HOUSE FILTER | PRO-SCI

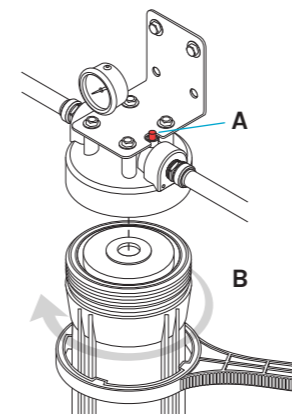
## Replacing Your Filter

To ensure your system keeps performing at its best, only use original PRO+AQUA OEM certified filters. Using untested filters will reduce the performance of your system and void its warranty.

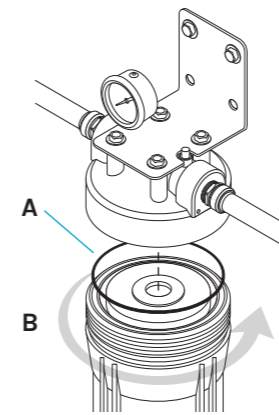
- 1** Shut off the main water line to your home.



- 2** A. Press the red button to release the pressure in your housing (water may spurt out at button).  
B. Remove housing using provided wrench.



- 3** A. Insert new filter and inspect O-ring.  
B. Reinstall housing and ensure filter is centered (hand tighten).

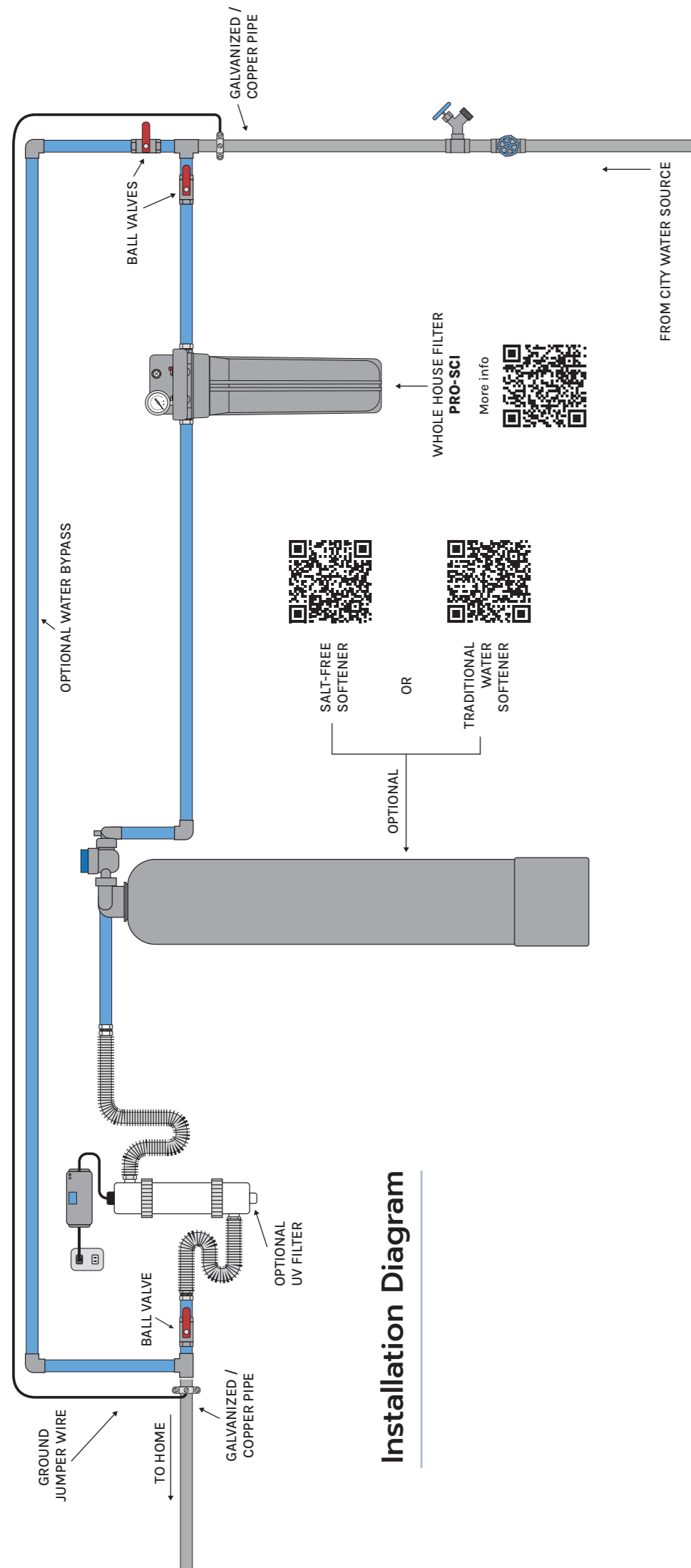


← Scan this QR code for replacement filters and support.

**PRO+AQUA**  
PURE WATER. NOTHING ELSE.

For assistance, please feel free to reach out to us Mon - Fri 9am - 5pm PT  
(800) 980-3335 or via email at  
hi@proaquawater.com

Version 2.0 111723 © PRO+AQUA. All rights reserved.



Installation Diagram



**PRO+AQUA**  
PURE WATER. NOTHING ELSE.

Size: A3, 420 mm x 297 mm, TRIFOLD - OUTSIDE



## Don't miss out on **TWO (2) FREE YEARS** of additional system coverage

The PRO-SCI includes a two-year warranty. Register your product within 60 days from time of purchase to add an additional two years of protection covered under our **PRO+AQUA** warranty.

1. Locate the serial number on the system bracket.
2. Visit [www.proaquawater.com/warranty-reg](http://www.proaquawater.com/warranty-reg)
3. Enter your purchase and serial number information.

**PRO+AQUA** filtration systems are designed in California, USA and are made from high quality, commercial grade filters and components.

### System Inspection Before Starting

Please take the system and all the components out of the box. Inspect the system and all the connection fittings carefully, make sure nothing was damaged during shipping. If any part is cracked or broken, please do not proceed with the installation and contact **PRO+AQUA** or your distributor for support.

### Components List

- 2 Stainless Steel Bolts & Washers
- 1 Bracket (Pre-installed)
- 1 Housing
- 1 Housing Wrench
- 1 Filter cartridge #FC-19-ACB
- 1 Head with Pressure Gauge
- 2 Stainless Steel Flex Tubes
- 2 Quick Connect 1" x 1"
- 2 Quick Connect 1" x 3/4"
- 2 Nipples 1" x 1"
- 2 Nipples 1" x 3/4"
- 1 Removal Tool
- 1 Removal To 3/4"

### Tools Recommended For Installation

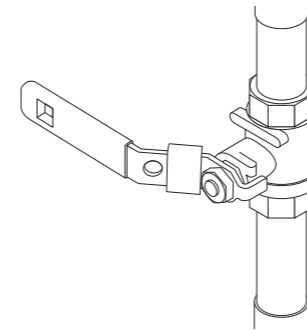
- Variable Speed Drill
- Drill Bit
- Bolt Bit
- Adjustable Wrench
- Teflon Tape
- Pen or Pencil

### System Maintenance

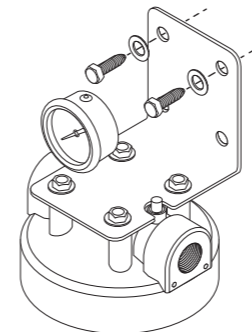
All of our systems require little maintenance. The only regular maintenance required is filter replacement every 4 - 6 months (depending on usage and water quality in your area). It is essential to change out your filter at the recommended intervals to keep your system working properly.

## System Installation

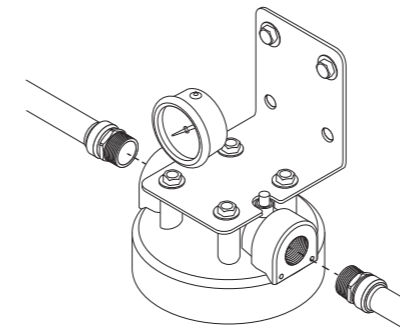
- 1** Shut off the main water line to your home.



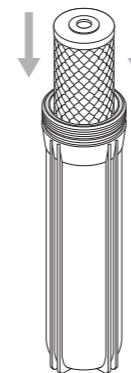
- 2** Install system to wall using the included stainless steel screws.



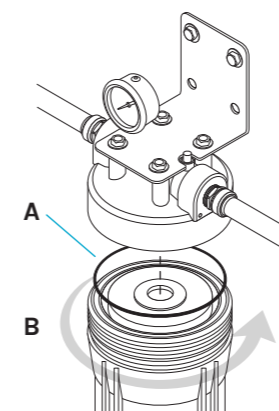
- 3** Attach your incoming supply plumbing to the "IN" port on the system. Attach the plumbing going into your home to the "OUT" port on the system. **DO NOT** solder while system is connected.



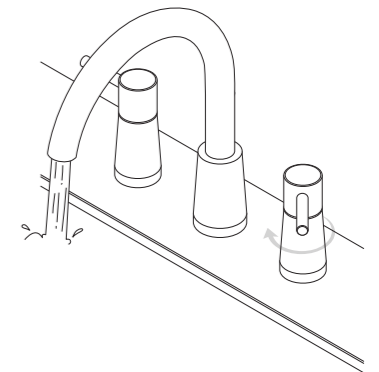
- 4** Unwrap cartridge and insert into the housing, centering on the stand pipe in the bottom of the housing.



- 5**
  - A. Inspect O-ring.
  - B. Install housing onto the head and turn clockwise, hand-tightening until snug.



- 6**
  - A. Remove any screens on the nearest faucet.
  - B. Turn main water supply on and open nearest faucet to flush filter (5 minutes).
  - C. Check system for leaks.
  - D. Your system is now ready.



**\* Optional Add Ons:** Ball valves, bypass, ground jumper wire, water softener, and UV filter are not included.

**! Warning:** The plastic components of the system will interrupt the continuity of the grounded (conductive) plumbing system. A grounded "jumper wire" bridging the equipment to the plumbing system must be installed prior to system use. Consulting a licensed plumber is highly recommended (see installation diagram).

Do not use with water that is microbiologically unsafe or of unknown quality without adequate disinfection before or after the system.

**Caution:** This filtration system must be protected against freezing and extreme heat, which can cause the housing to crack and the components to fail and may cause water leakage. Systems should not be installed in direct sunlight since UV rays make housings and other components brittle.

It is important that the O-ring be properly seated or a water leak could occur as the O-ring provides the water-tight seal between the cap and the housing.

To prevent possible water damage, housing should be replaced every 4 years.

### Operational Parameters

Installation needs to comply with state and local plumbing regulations. This system is intended to be used with cold water only.

	Maximum	Minimum
Operational Temperature	100 °F (37.8 °C)	40 °F (4.4 °C)
Operating Pressure	75 psi (5.98 kg/cm <sup>2</sup> )	20 psi (1.406 kg/cm <sup>2</sup> )
pH Parameters	10	5