

# TABLE OF CONTENTS

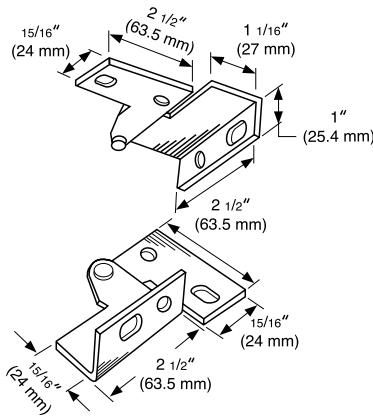
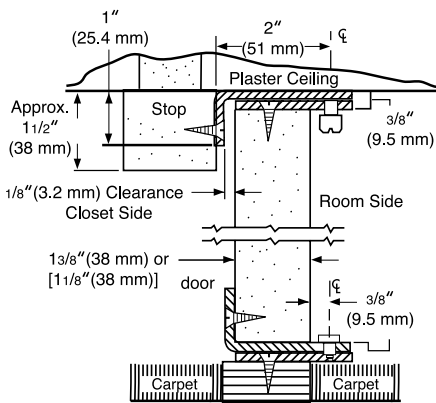
Wardrobe pivots..... 2-4  
 Cabinet hinges .....5

Notes ..... 6-7

## Wardrobe Pivots

**340** – (ANSI A8753) – Standary duty – steel – plated or prime coated finishes

- For flush, recessed or overlay doors 1 1/8" (28.6 mm) to 1 3/8" (35 mm) thick not exceeding 75 lbs. (34 Kg)
- Only pivot of its type suitable for floor-to-ceiling doors
- Clean appearance, only hinge pivot shows when door is closed
- Door can be opened 180°
- Elongated screw holes make alignment simple
- Separable leaves of the top assembly permit fast installation
- Bushing at the pivot point assure smooth, silent operation



Right hand illustrated

Catalog Number	Gauge		Flat Head Wood Screws/Per Set	Sets Per Box*	Sets Per Case	Case Weight	
	Inches	(mm)				Lbs.	(Kg)
340	.131	(3.3)	8 - 12 x 3/4	1	20	17	(8)

\*Set consists of one top hinge and one bottom hinge

Handed. Specify right hand or left hand