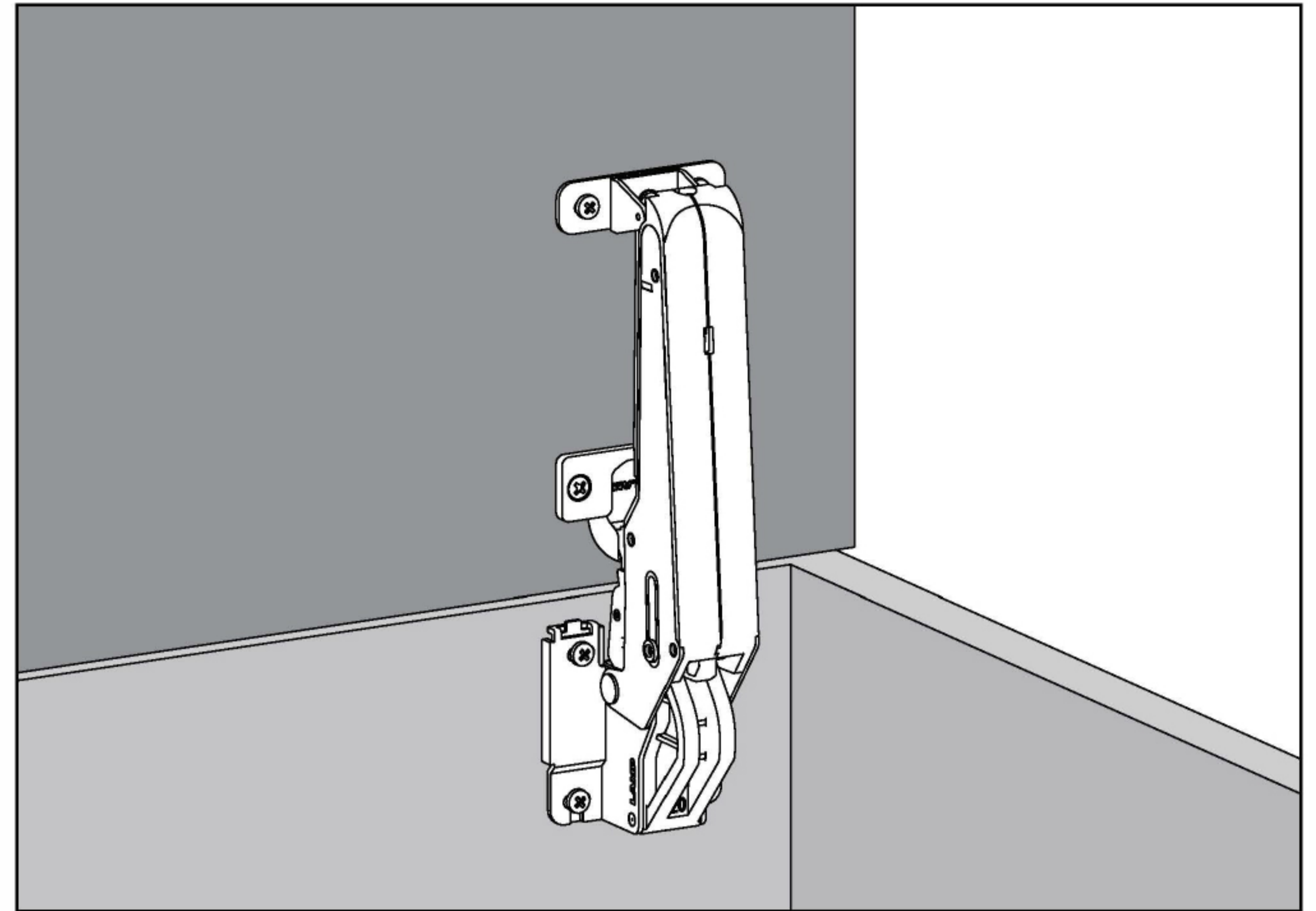


Thank you for selecting our product.
Before starting installation, please read this manual
thoroughly to ensure correct installation.
Please keep this manual at hand for future reference.



ABOUT THE PRODUCT

- Stay to assist easy operation of lid.
- Can be used with Lapcon equipped concealed hinges for soft close motion.

FOR YOUR SAFE WORK AND CORRECT INSTALLATION

Meaning of symbols

 **Warning**
Caution  **Prohibited**  **Required**

If not followed, injury or damage may result.

- ❗ It is necessary to prepare a cabinet and lid which can hold the moment of the lid. Poor strength may cause damage or abnormal sound.
When using a hollow or flush cabinet/lid, be sure to mount the stay onto the core material.
- ⊘ Do not try to use this product for anything other than its original purpose. Do not use any part for application outside of its specification from our catalog.
- ❗ Make sure to follow the designated dimensions, specifications, and horizontal/vertical angles.
Make sure that the cabinet is not warped, since it may affect the movement of the lid.
- ❗ Only operate the stay in an installed state.
Uninstalled operation of the stay can result in strong spring causing injury.
- ⊘ Do not disassemble nor modify the product.
- ❗ Make sure to check the screws for slack at regular intervals (one month from first usage, half a year, and then one time every year is recommended).

03 (3864) 1122
9:00~17:30

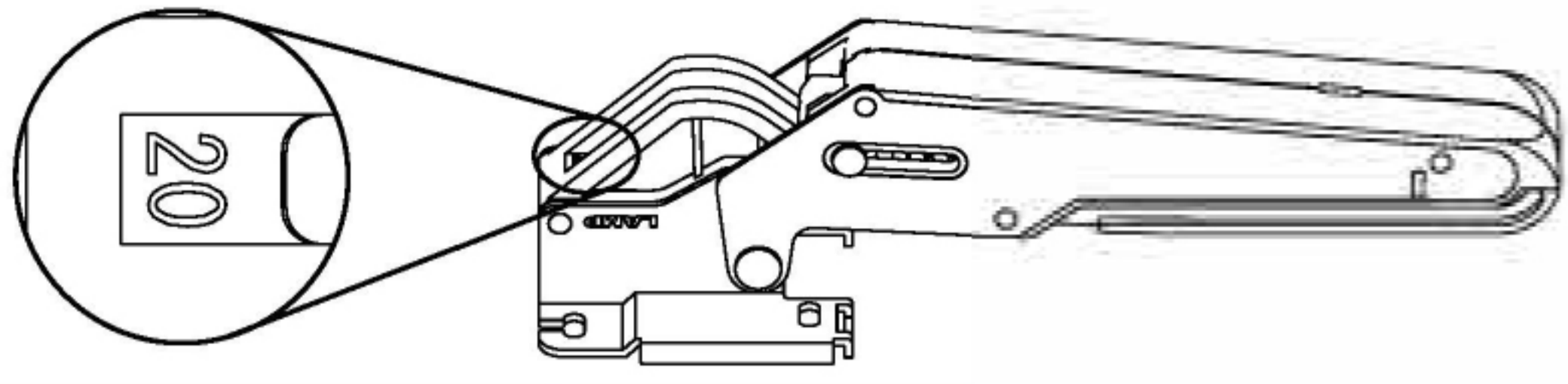
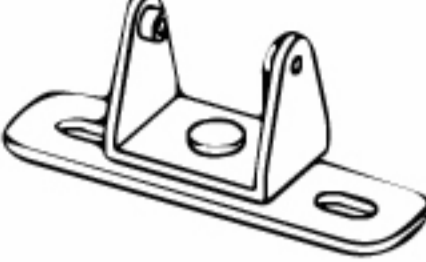


FAX 03 (3863) 6875
E-mail : support@sugatsune.co.jp
2-5-10 〒101-0032

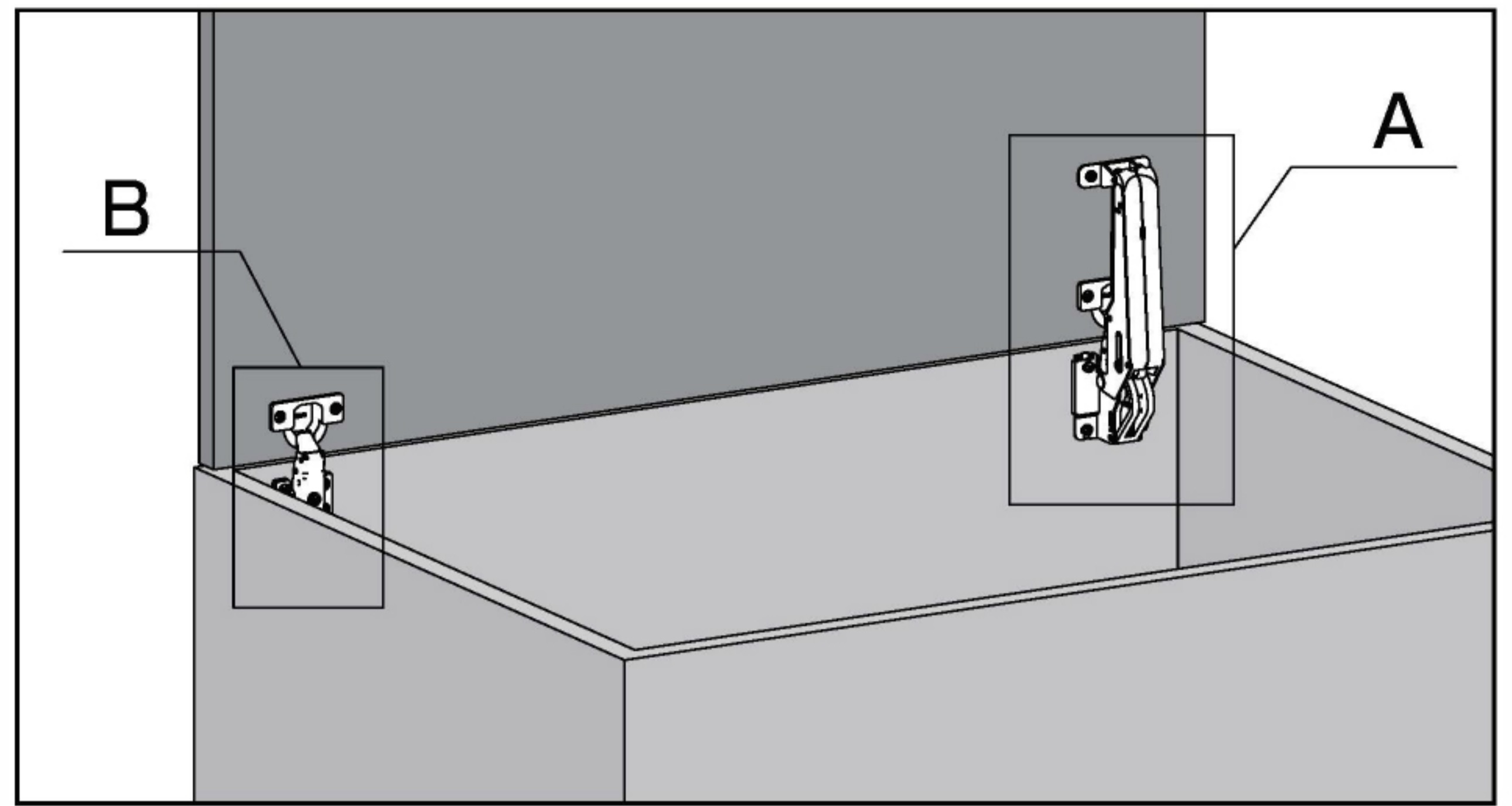
SUGATSUNE スガツネ工業
LAMP 印の機能&デザイン金物メーカー

ISO 9001 (JSAQ384) ・ ISO 14001 (JSAE597)
*ISO9001: WEST *ISO14001:-(SBC)
<https://www.sugatsune.co.jp/>

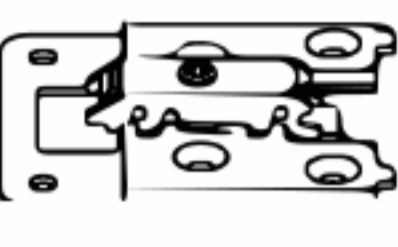
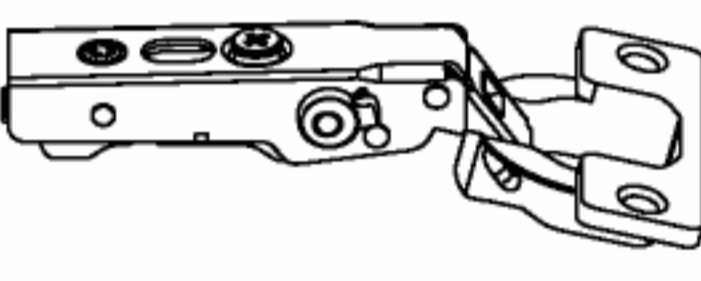


2019.09 1299-4

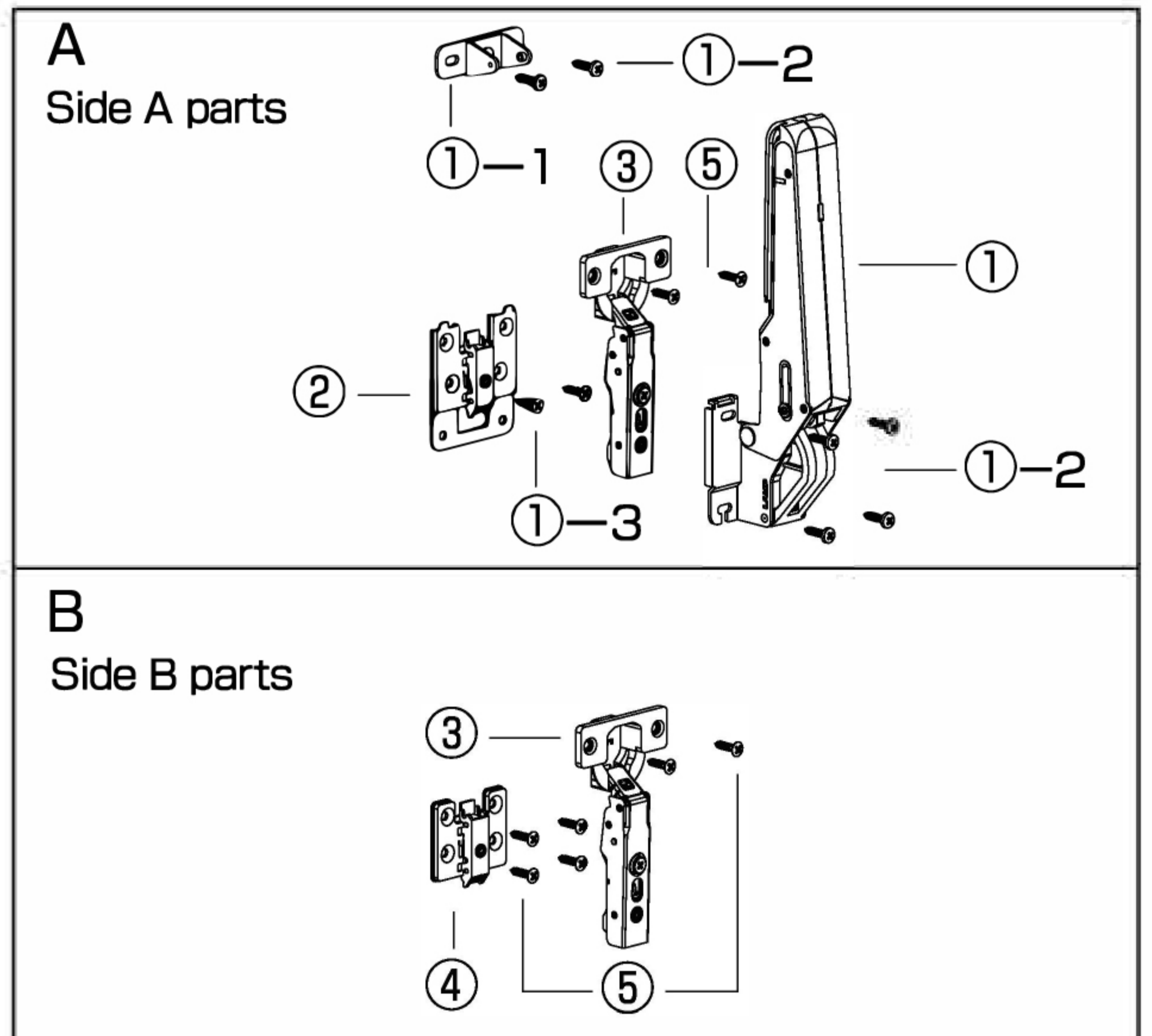
PARTS LIST

① Main unit	 ×1		
Accessories	①-1 Mounting bracket  ×1	①-2 Binding screw 3.5×15  ×6	①-3 Flat countersunk screw 3.5×15  ×2



[Sold separately]

② Mounting plate for AILERON	ARN-SZ  ×1
③ Concealed hinge with damper	360-026-19T  ×2
④ Concealed hinge Mounting plate	360-P6WT  ×1 360-P4W32T 360-P4W30T is also usable.
⑤ Concealed hinge Screw	Oval countersunk screw 3.5×15 TAP3515NI  ×8



The quantities of parts shown above are an example of a typical installation.

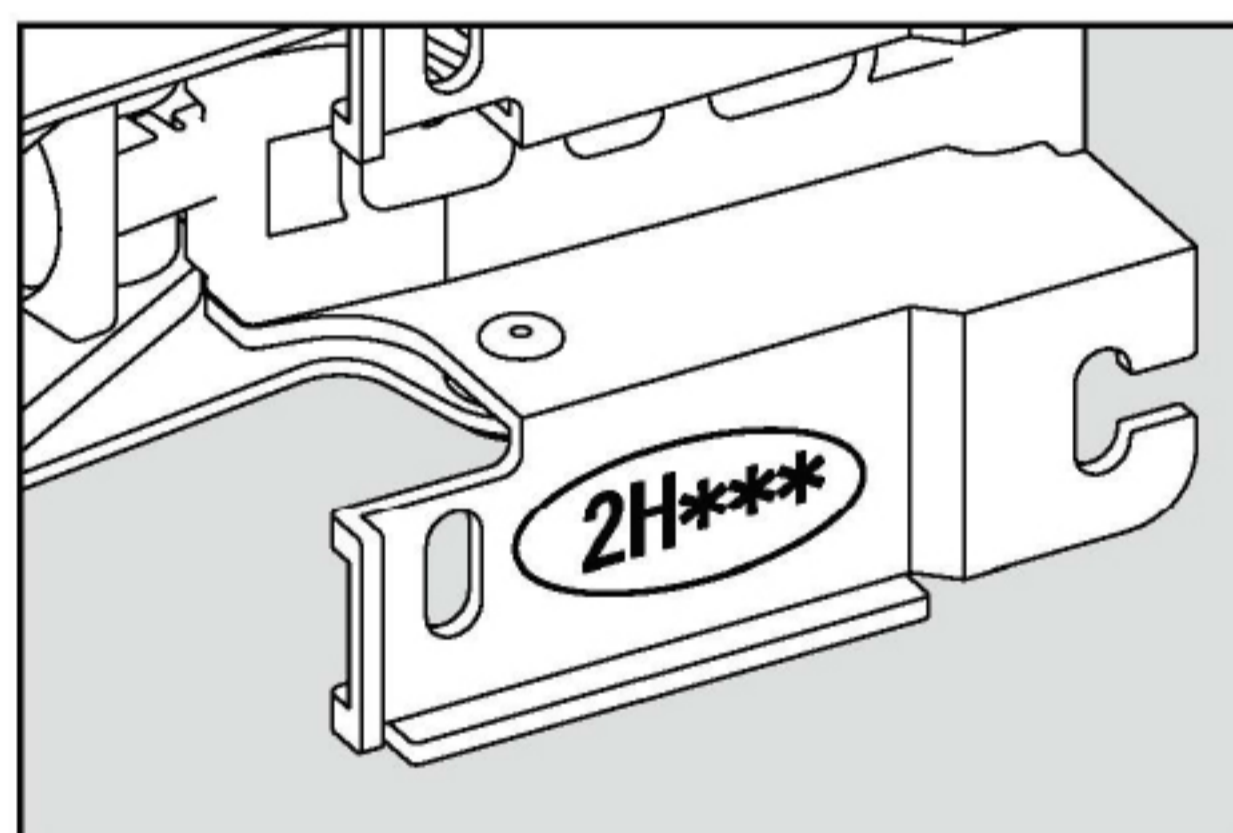
■ Tool required for installation



Philips Screwdriver : #2

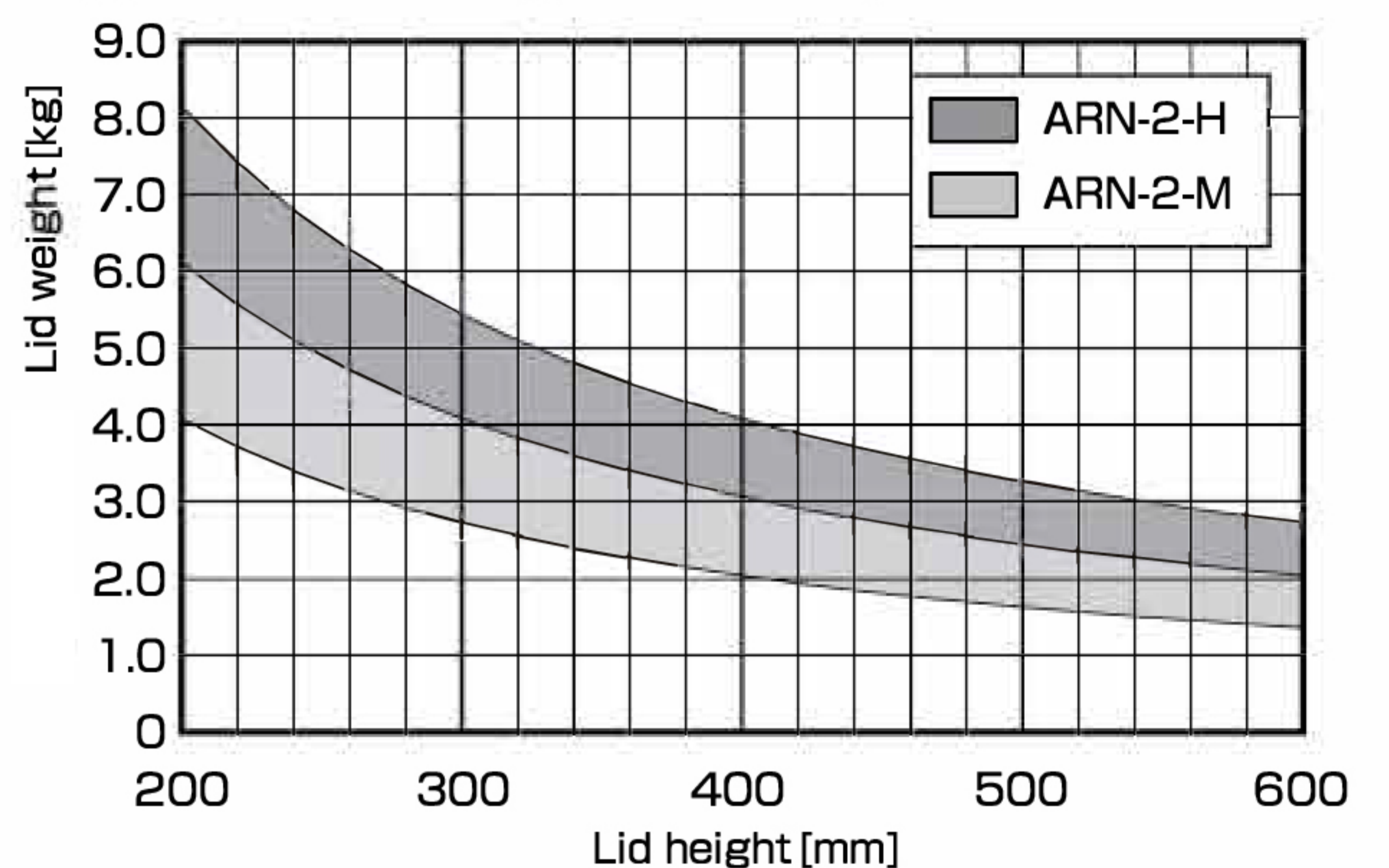
SPECIFICATION

Item No.	ID	Torque
ARN-2-H	2H	6.0~8.0 N·m (61.2~81.6 kgf·cm)
ARN-2-M	2M	4.0~6.0 N·m (40.8~61.2 kgf·cm)



2H ***
ID Lot No.

[Applicable lid weight and size]



■ Operating temperature

0°C ~ +40°C

The closing speed may vary with ambient temperature.

Torque Calculation

$$\frac{\text{Lid height[m]}}{2} \times \text{Lid weight[kg]} \times 9.8 = \text{Torque moment[N}\cdot\text{m]}$$

SUGATSUNE KOGYO CO.,LTD
Tokyo, JAPAN
Phone: +81 (0)3 3866 2260 E-mail:export@sugatsune.co.jp

SUGATSUNE KOGYO (UK) LTD
Reading, UK
Phone: +44 118 9272 955 E-mail:sales@sugatsune.co.uk

SUGATSUNE EUROPE GmbH
Düsseldorf, GERMANY
Phone: +49 211 53812900 E-mail:sales@sugatsune.eu

ISO9001(Japan Offices and Sugatsune America) and ISO14001(Chiba Production division and Logistics center), certified.

SUGATSUNE SHANGHAI Co., LTD
Shanghai, CHINA
Phone: +86 21 3632 1858 E-mail:lamp@sugatsune.com.cn

Guangzhou, CHINA
Phone: +86 20 6639 3552 E-mail:lamp@sugatsune.com.cn

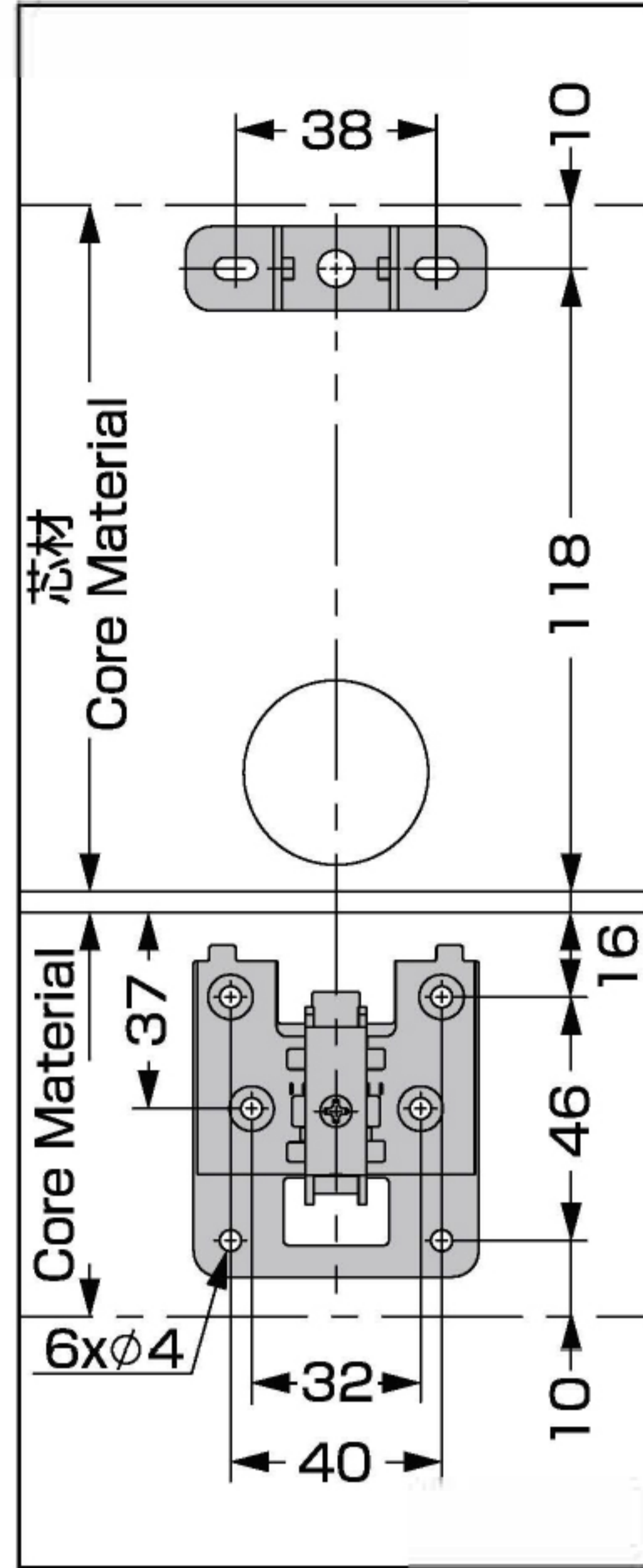
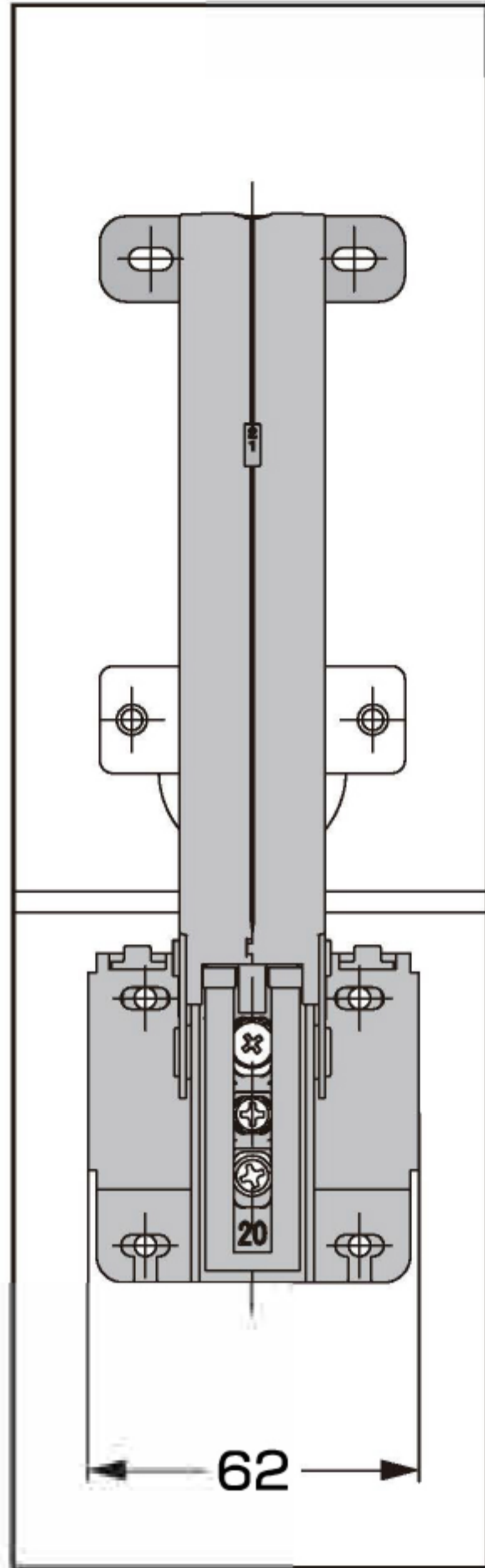
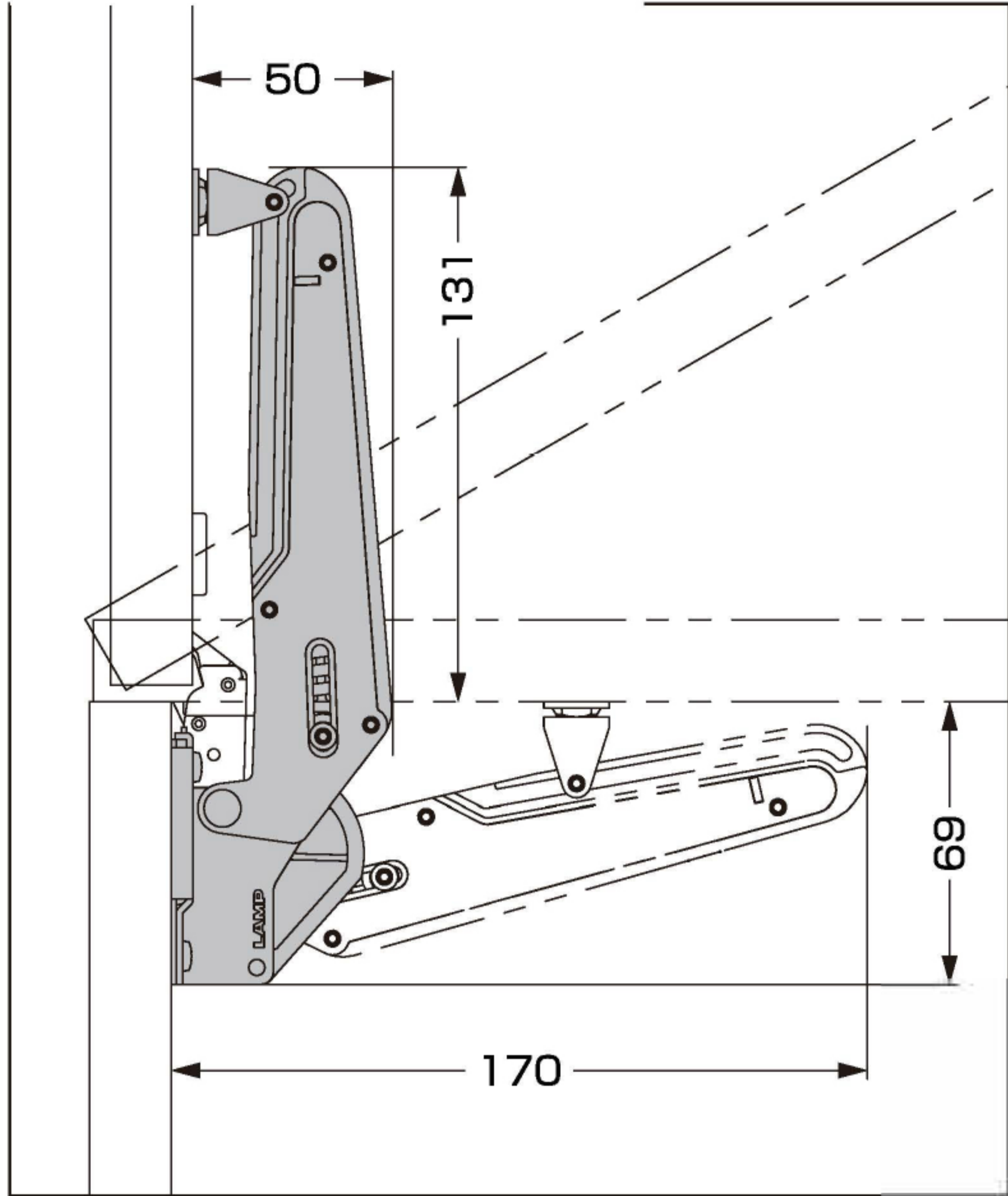
SUGATSUNE KOGYO INDIA PRIVATE LIMITED
Mumbai, INDIA
Phone: +91 22 28314490/91 E-mail:sales@sugatsune.in

SUGATSUNE AMERICA, INC
California, USA
Phone: +1 310 329 6373 E-mail:sales@sugatsune.com

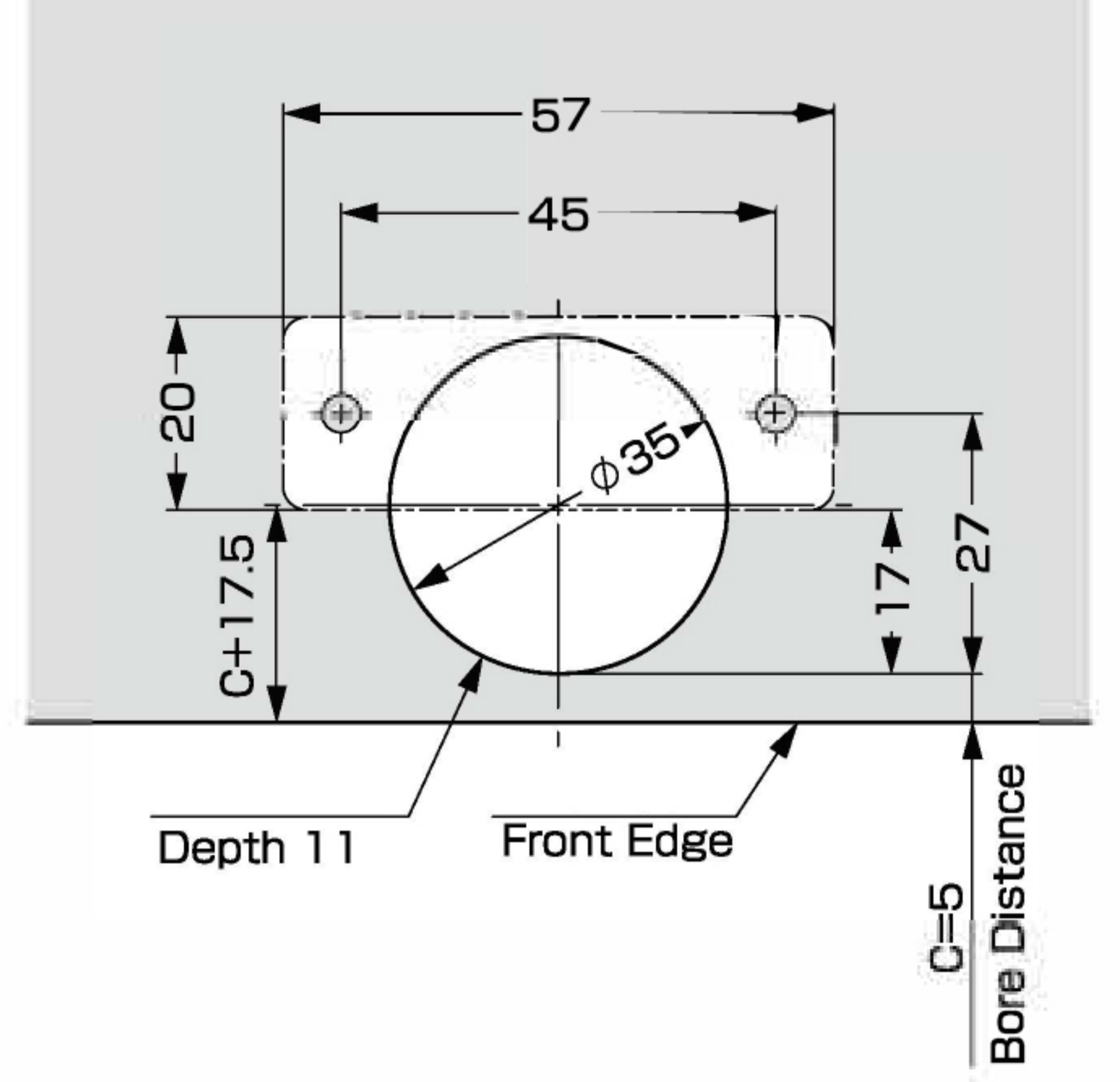
Chicago, USA
Phone: +1 312 461 1081 E-mail:chicagoshowroom@sugatsune.com

SUGATSUNE CANADA, INC.
Phone: +1 514 312 5267 E-mail:support@sugatsune.ca

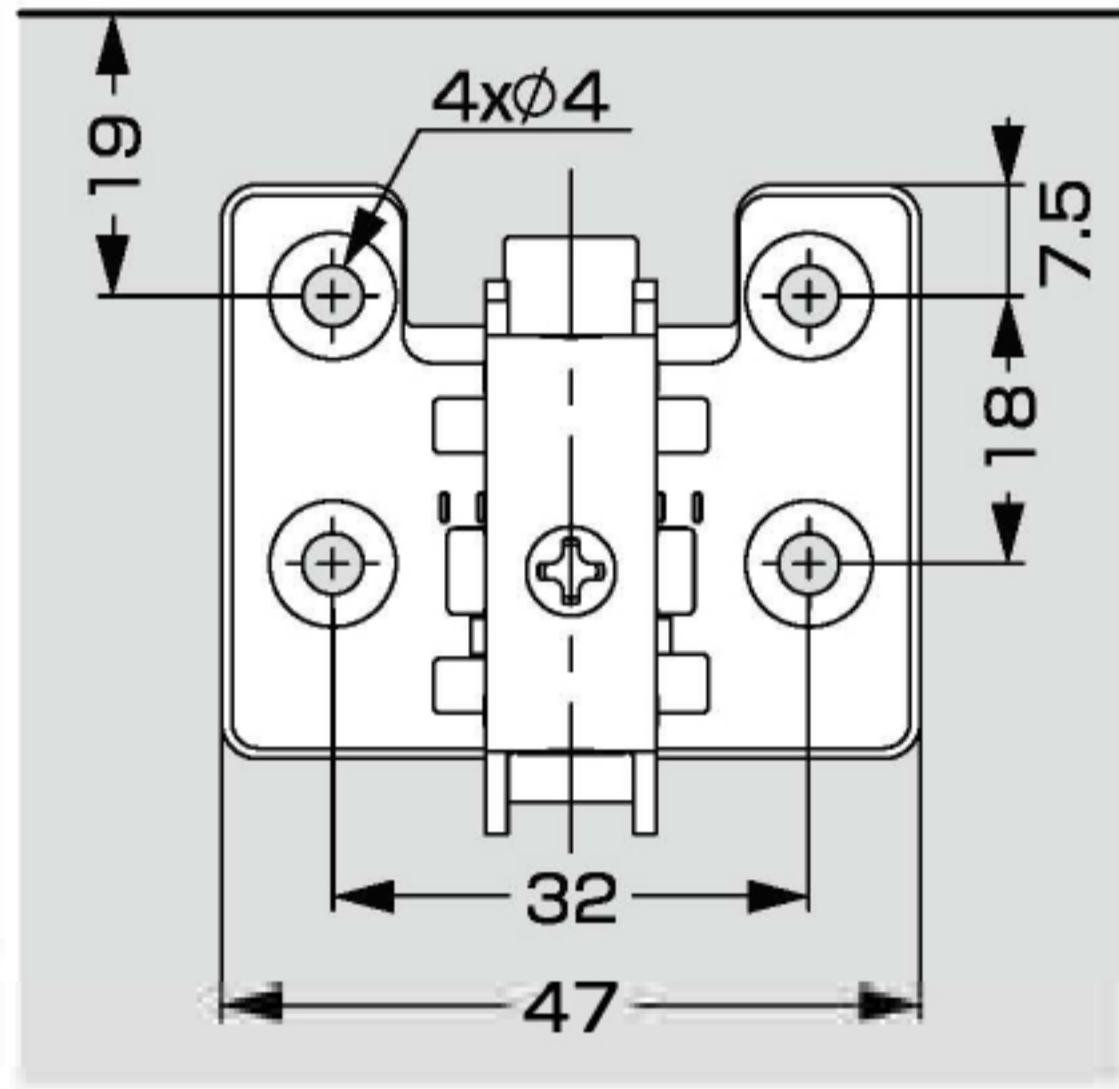
INSTALLATION DRAWING



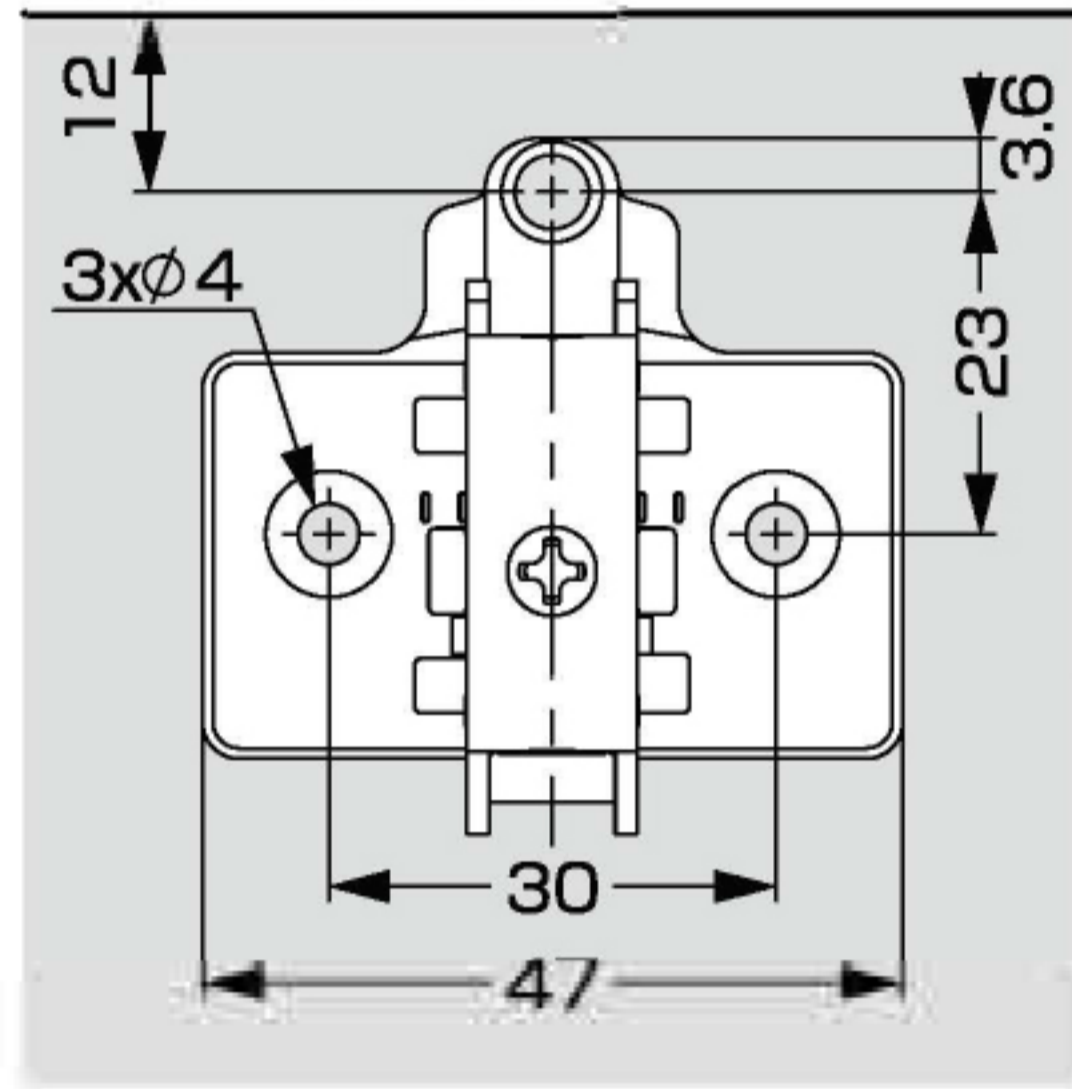
360-D26-19T



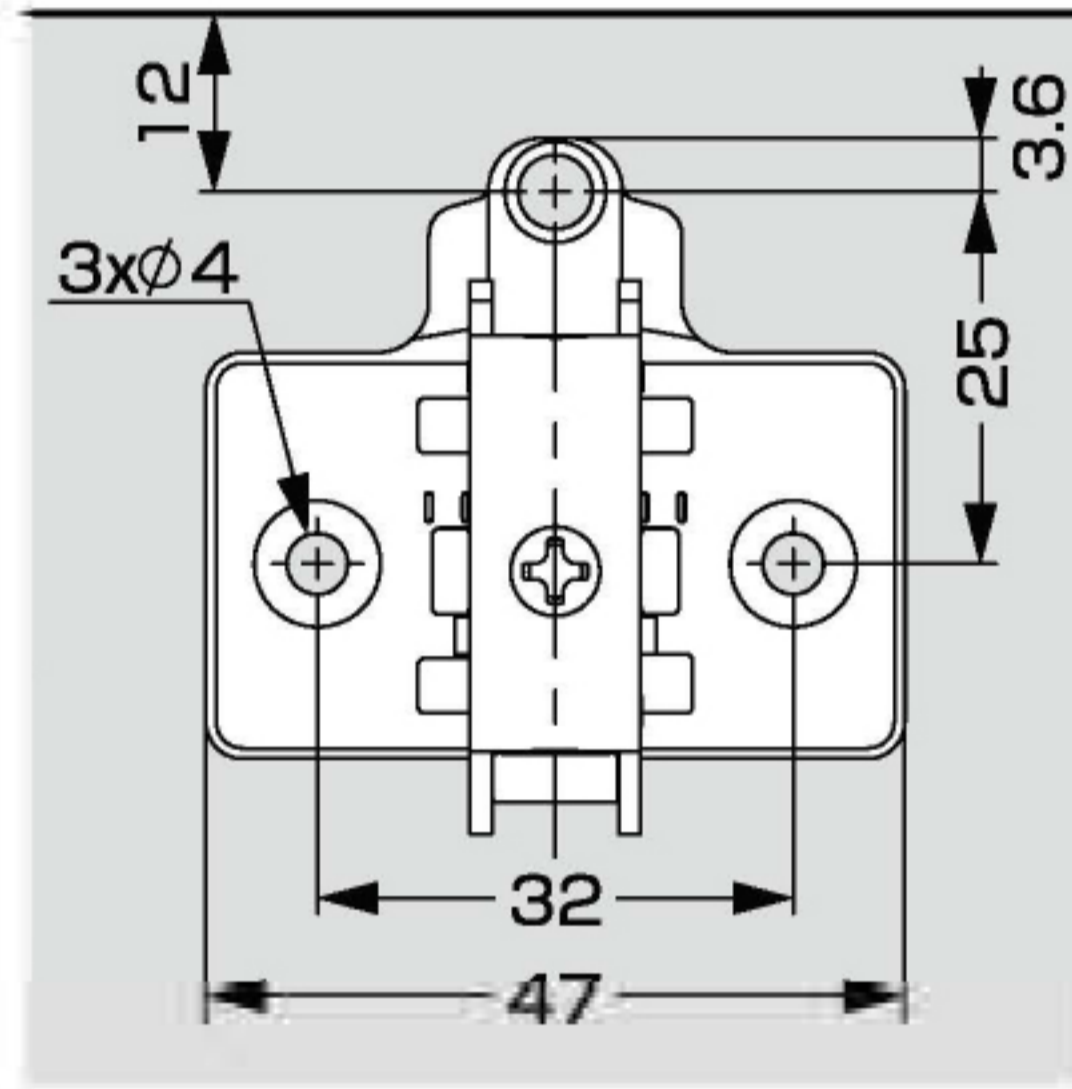
360-P6WT



360-P4W-30T



360-P4W-32T

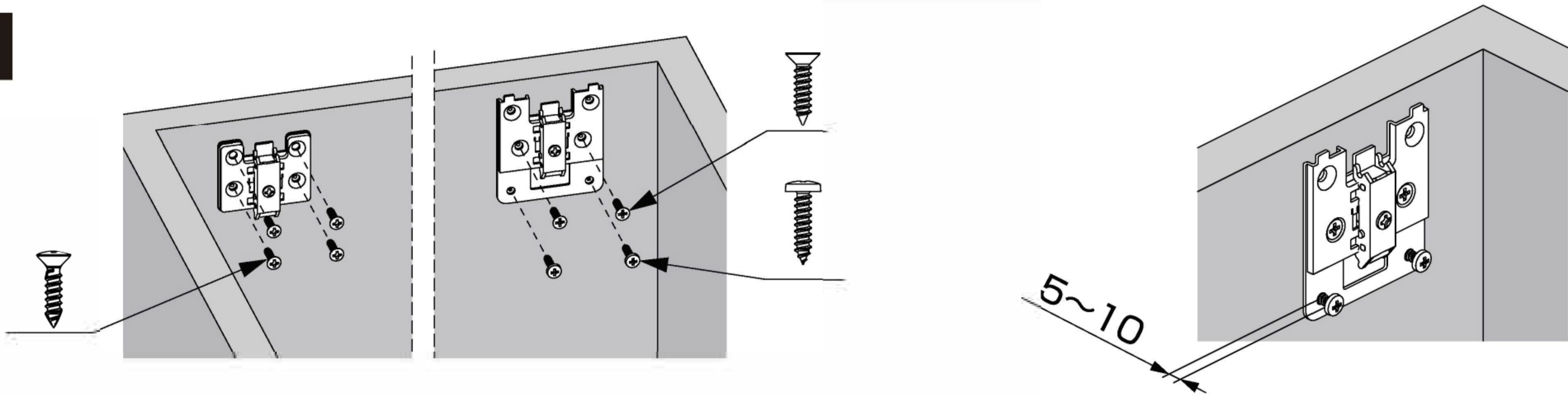


Front Edge

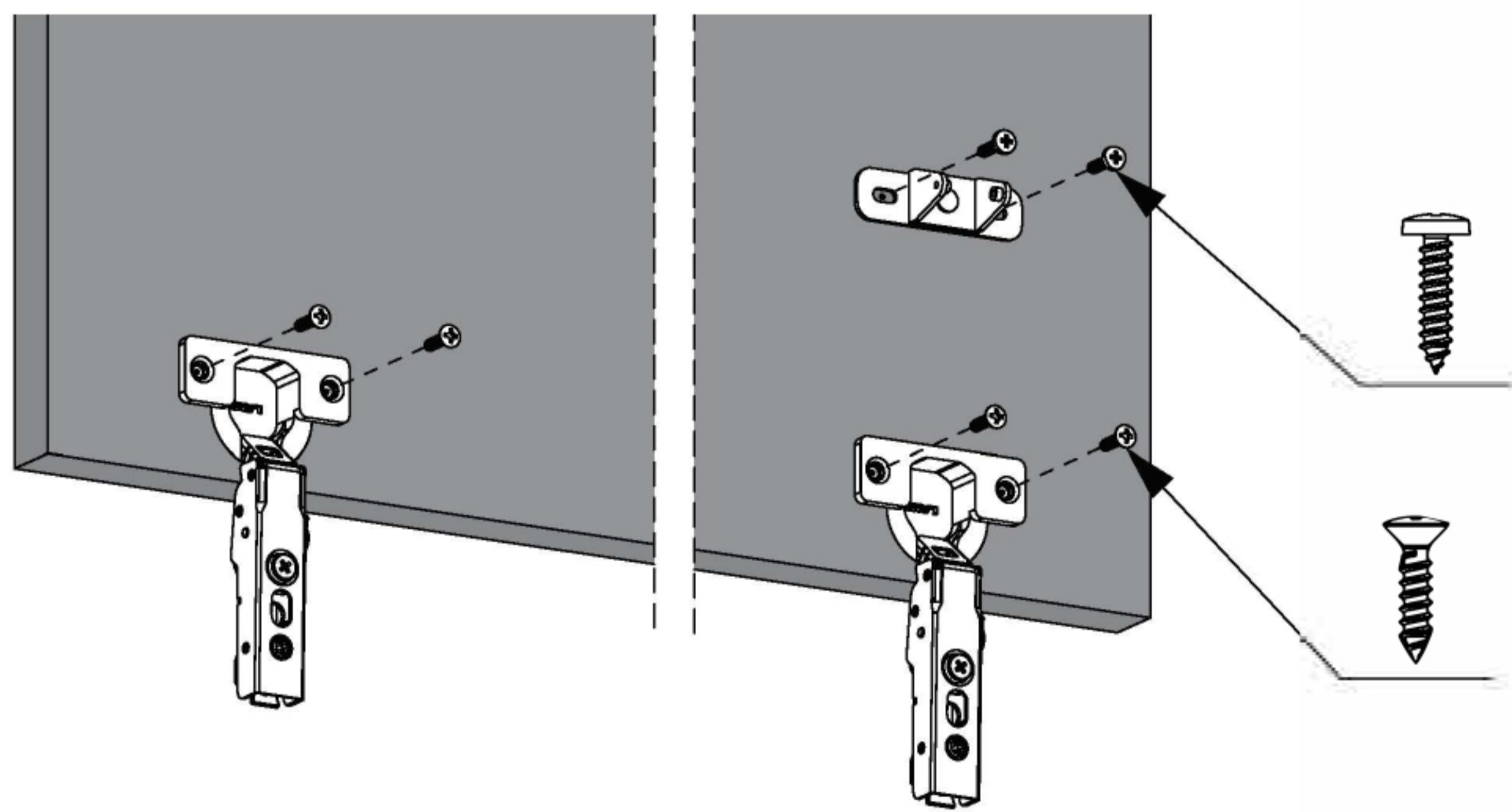
mm

INSTALLATION

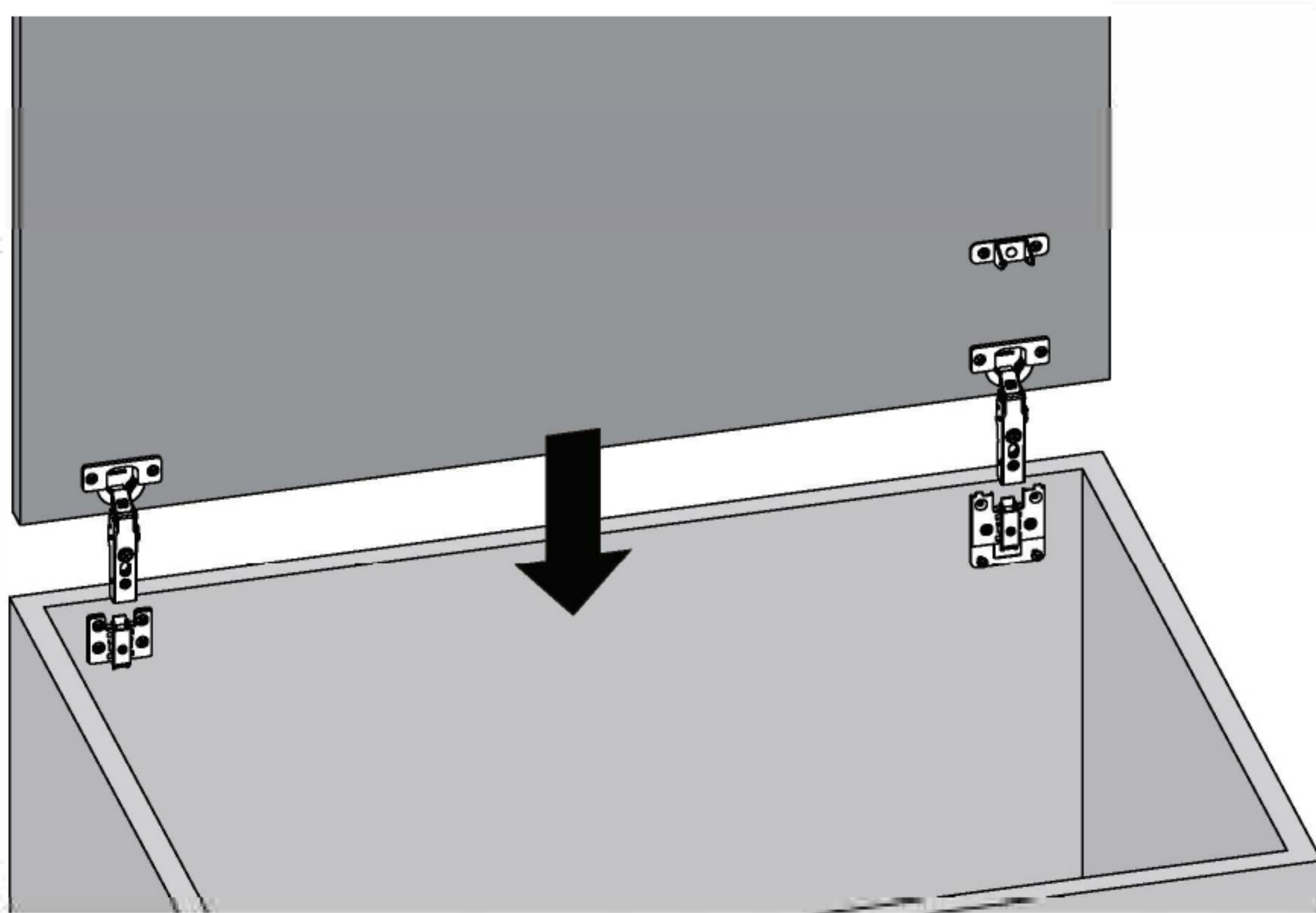
1



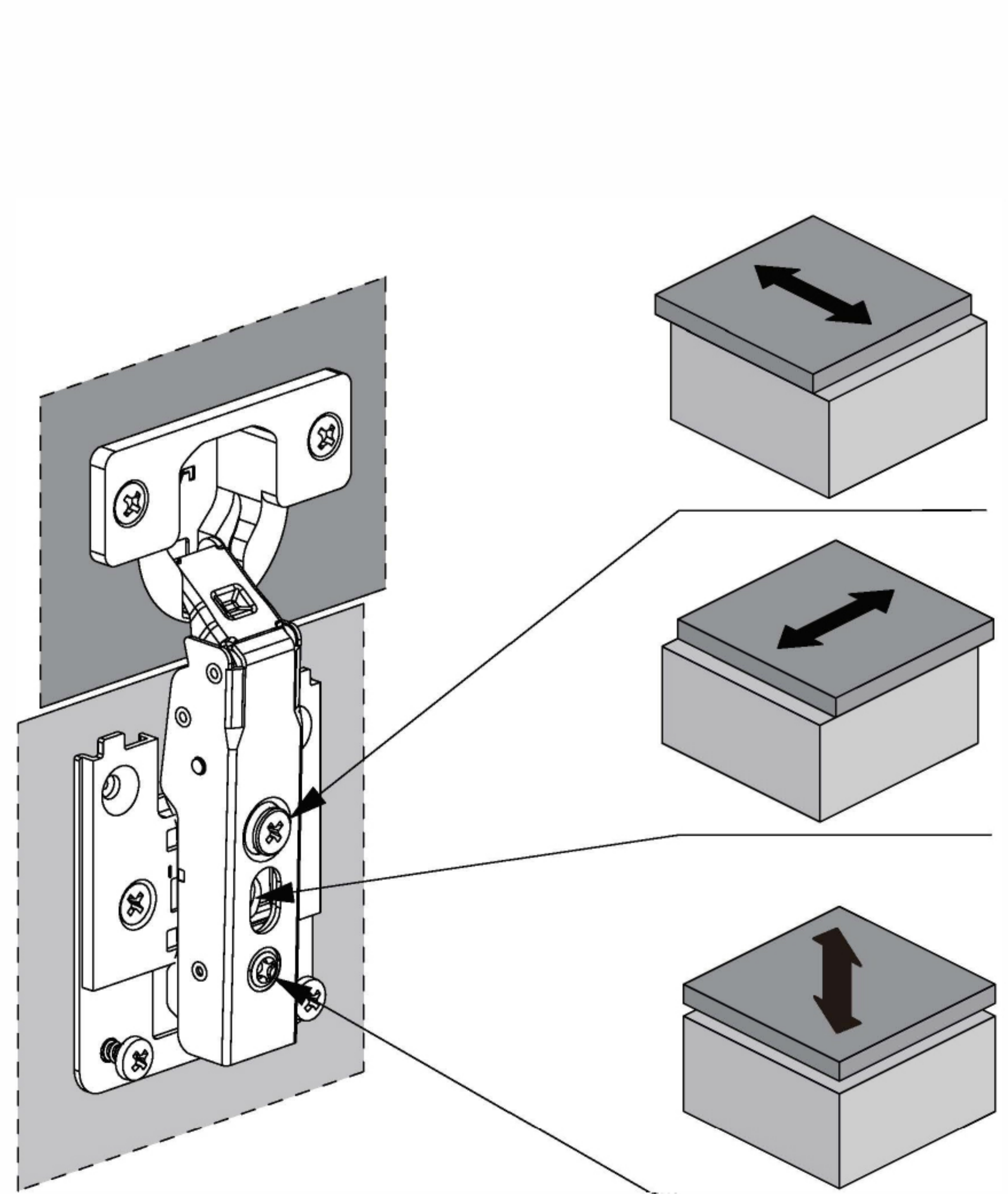
2



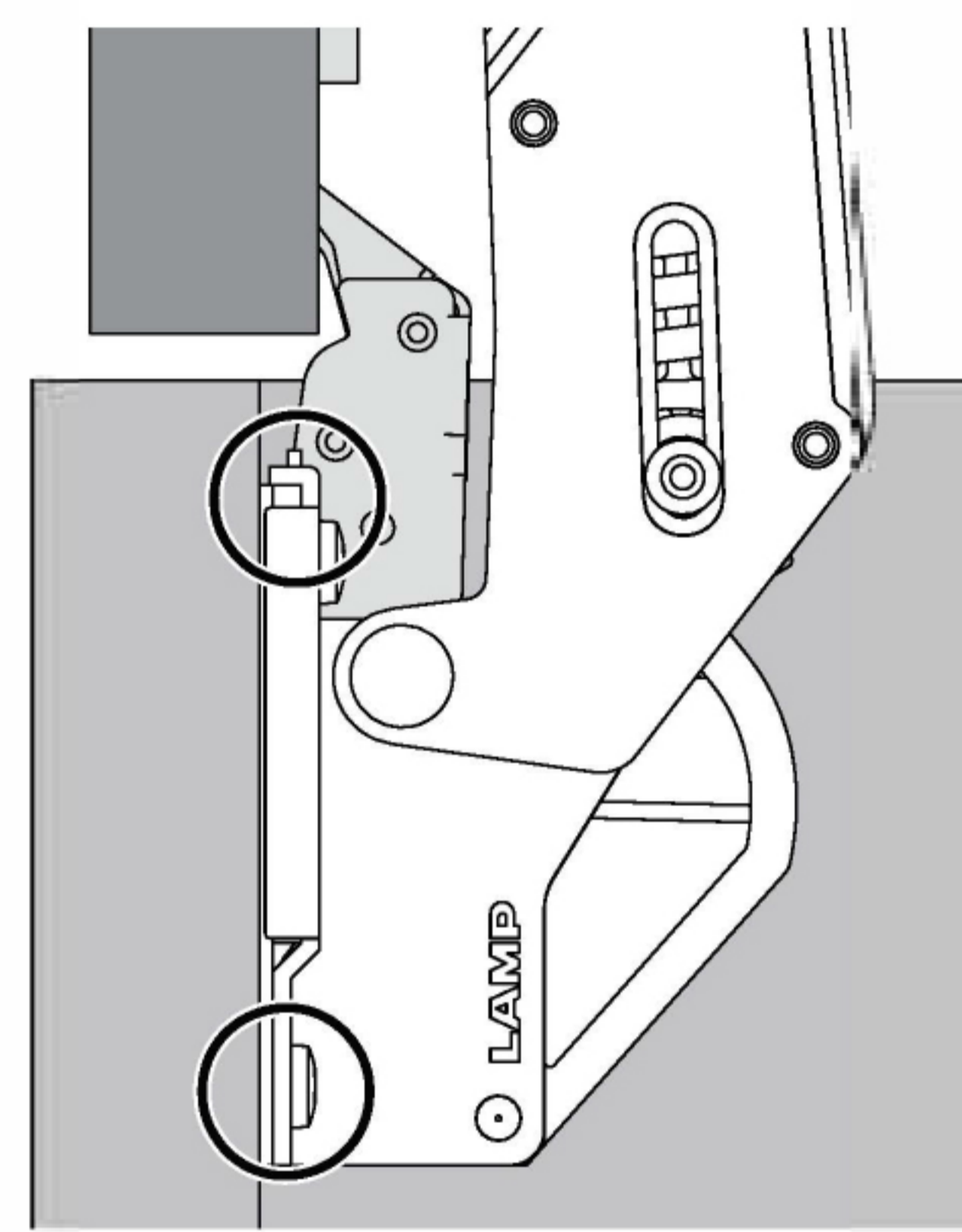
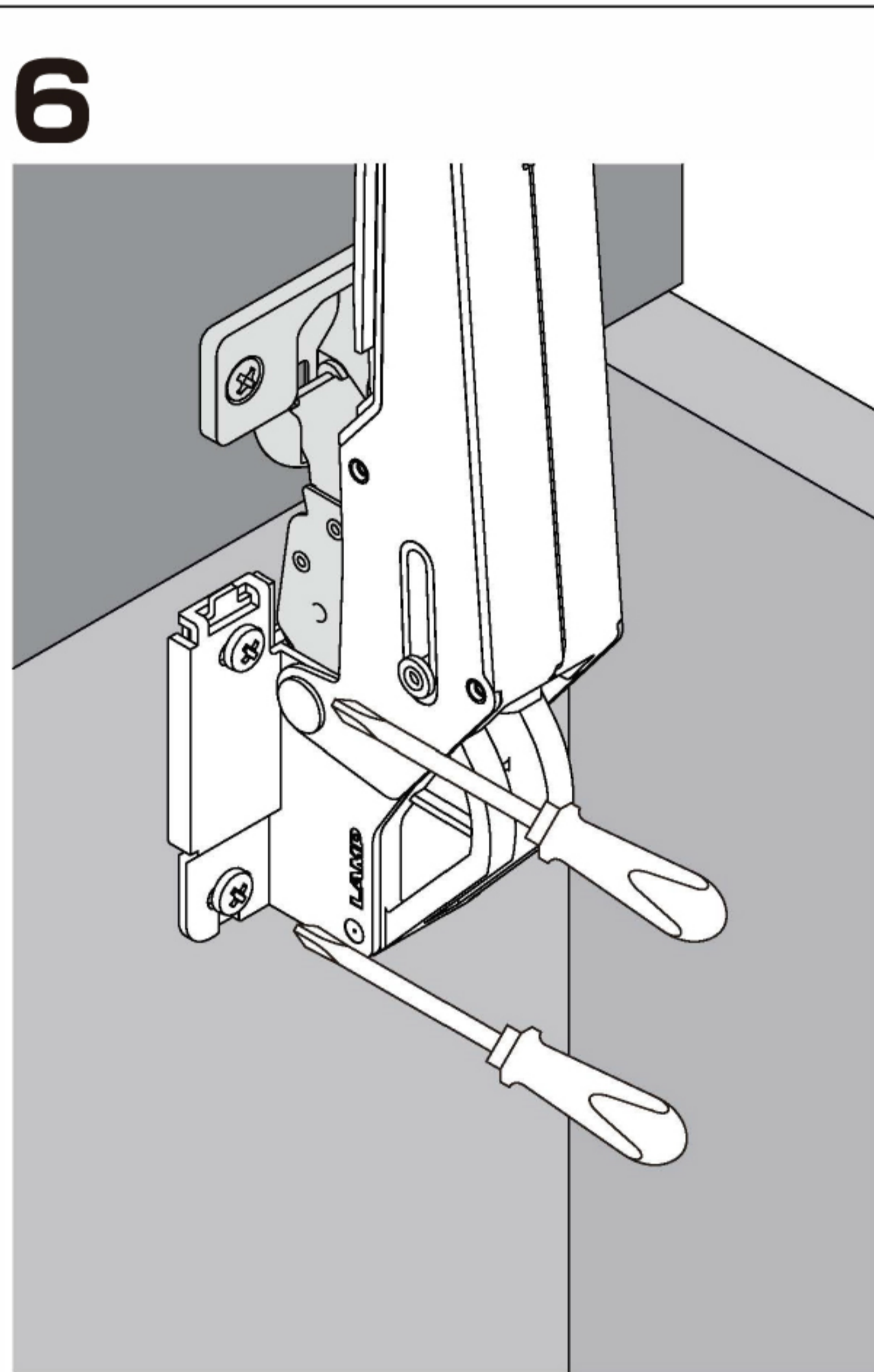
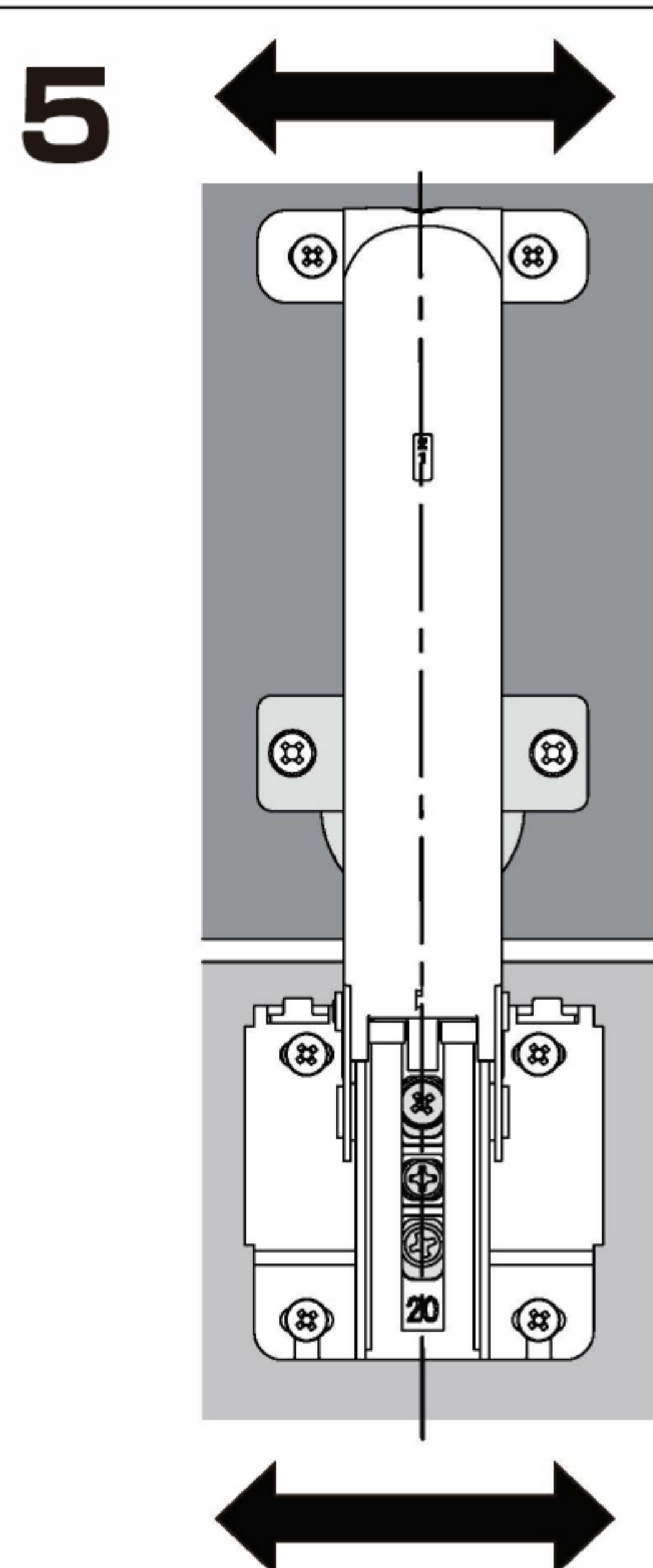
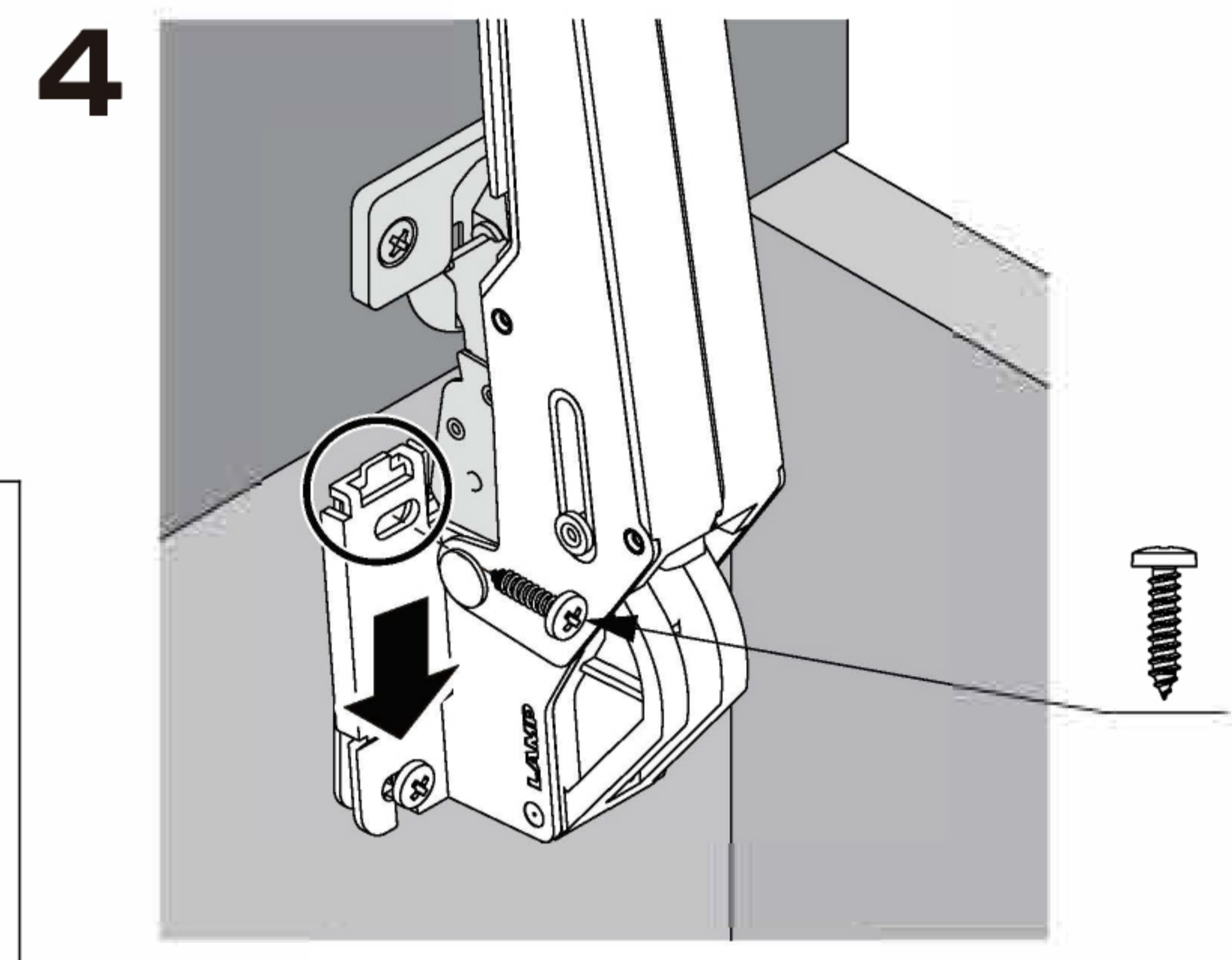
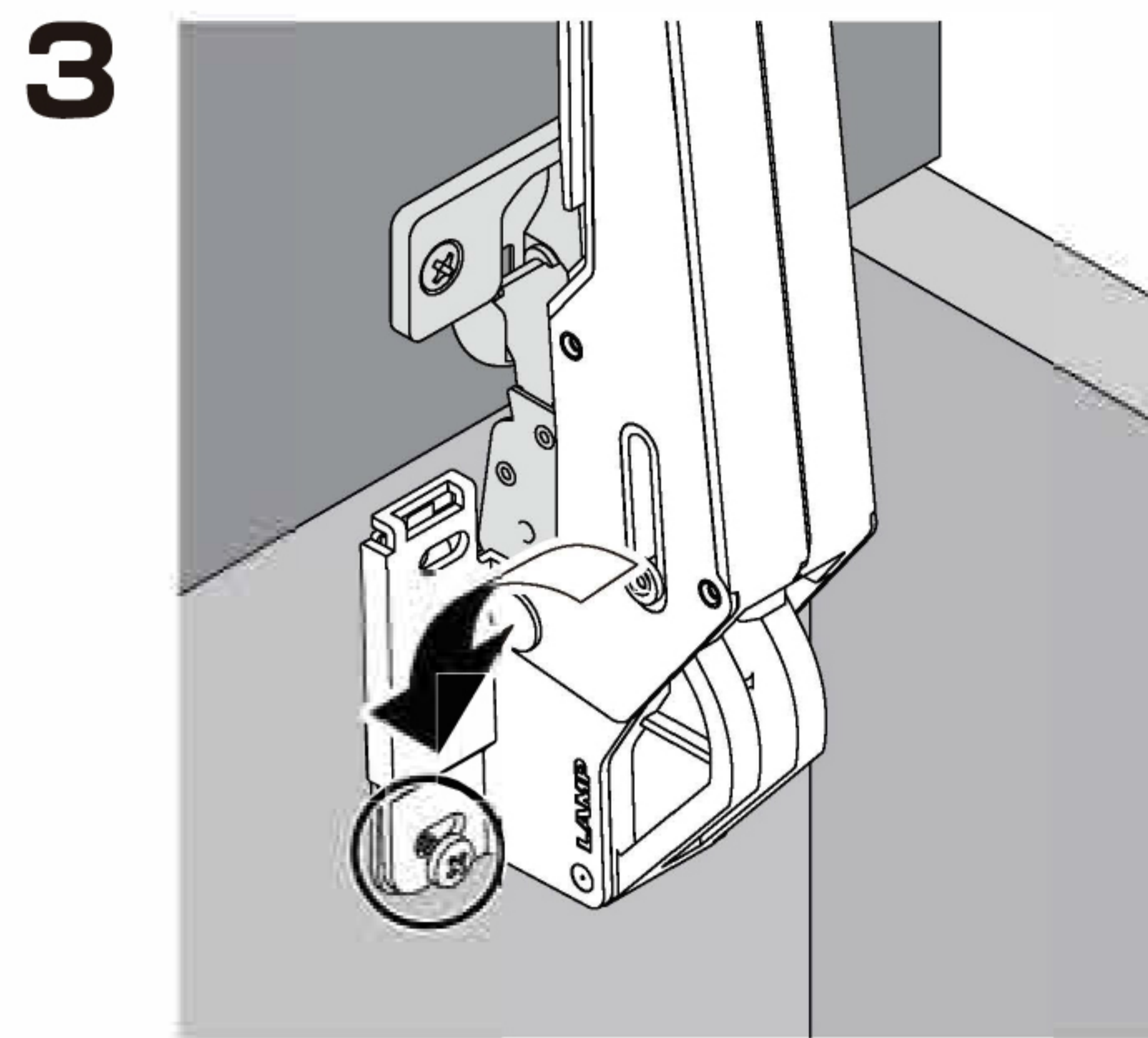
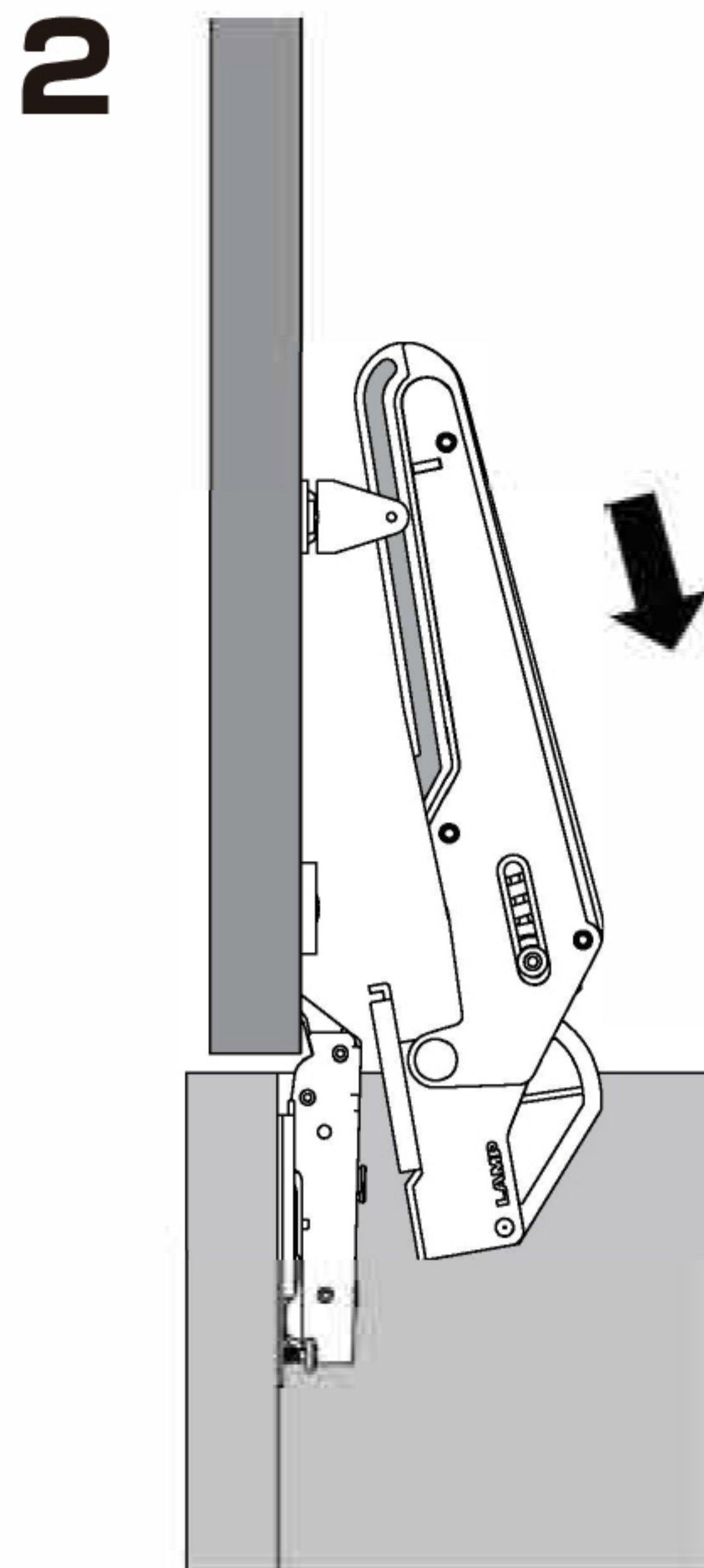
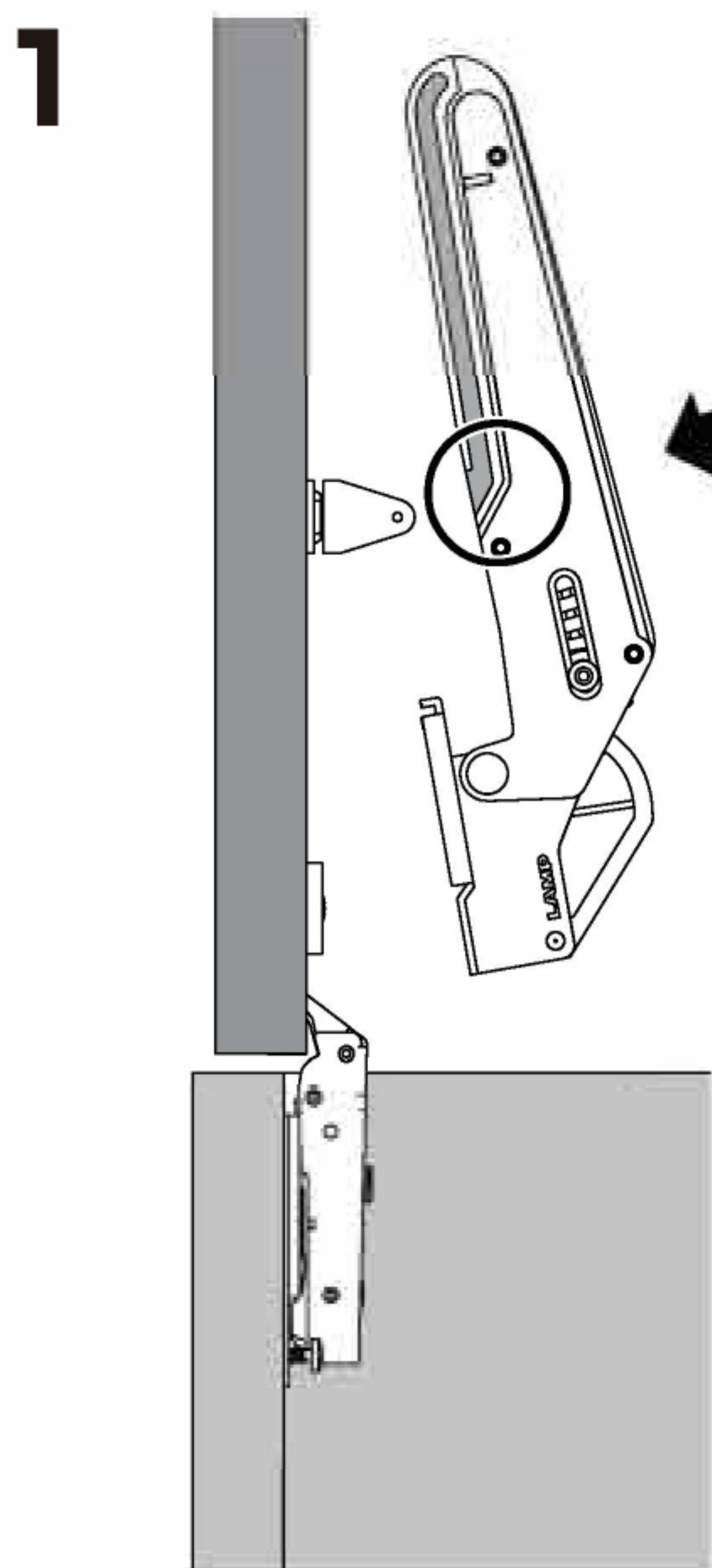
3



4

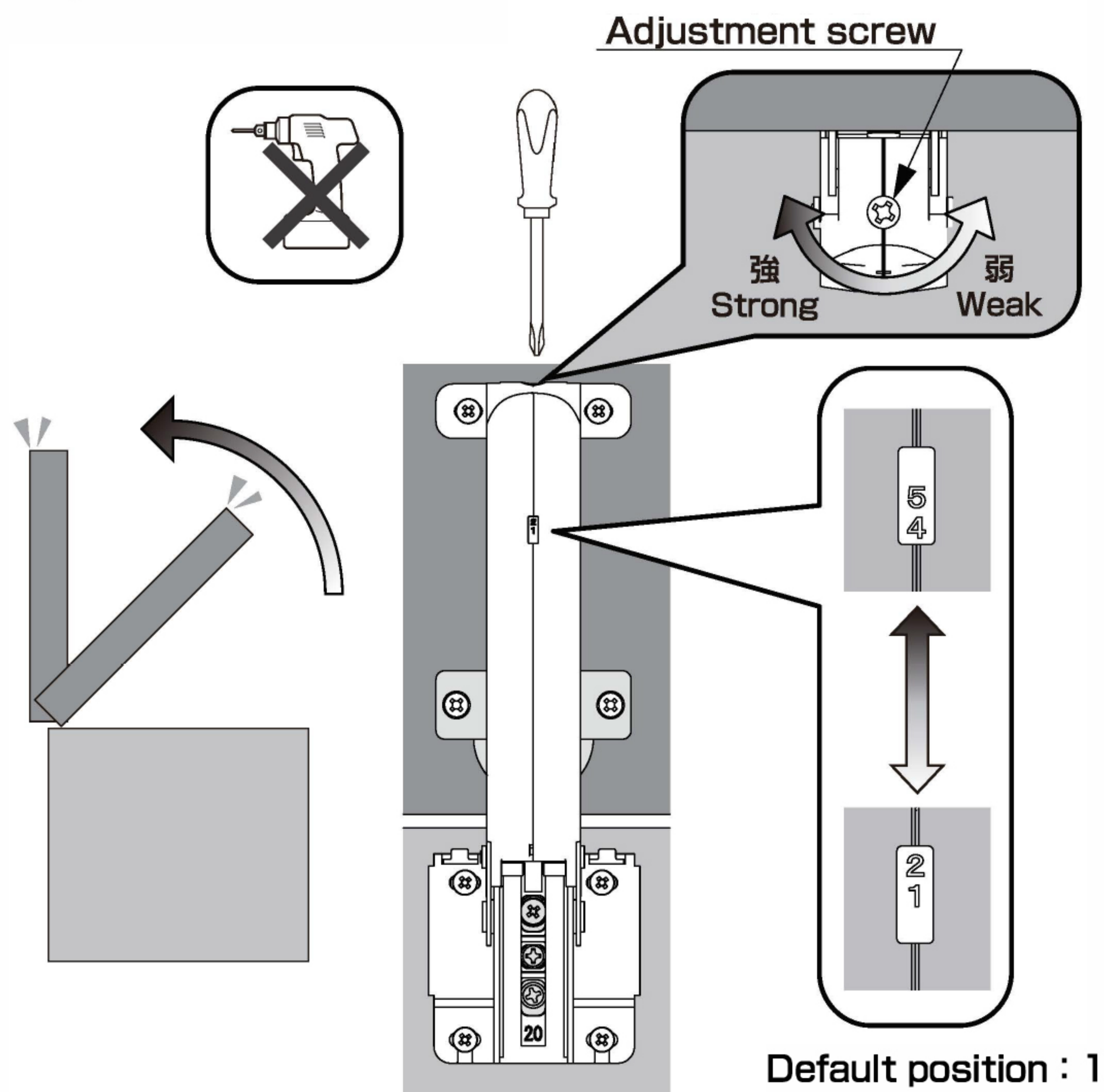


5



ADJUSTMENT PROCEDURE

Adjustment of lift assist



Adjustment of closing speed

