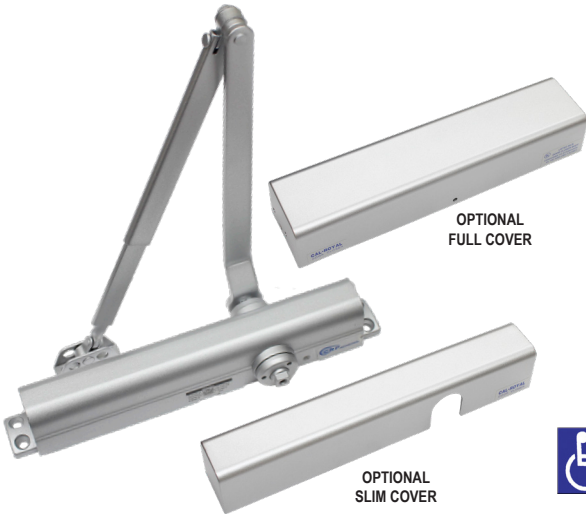


CR801 / CR801S SERIES

ANSI A156.4 Grade 1, Slim / Full Cover Multi-Size, Full Feature Closer
UL Listed, Conforms to Standards UL10C and UBC7-2-1997
BHMA Certified Lifetime Warranty



- Cal-Royal's Finest Hydraulic Door Closer Series Meeting the Highest Industry Standards, Grade 1
- Heavy-Duty Double Lever Arm with Extra Smooth Action Full Feature Multi-Size Commercial Door Closer for Use In Office Buildings, Shopping Centers and Other Commercial Buildings
- Standard Back-Check Function
- Optional Slim / Full Plastic Cover
- Optional Adjustable Delayed Action / Barrier Free For Handicapped Or Elderly

FEATURES

- Hydraulic Door Closer with Standard Adjustable Back-Check Function
- ANSI A156.4 Grade 1: UL Listed for Fire Door Assemblies
- Universal Application. Non-Handed for Standard, Top Jamb or Parallel Arm Installation
- Non-Sized, 1 thru 6 FACTORY PRESET SIZE 3
- Door Weights: 30-260 lbs (All Models)
- Standard Adjustable Back-Check Function
- Adjustable Closing and Latching Speed by Two Separate Regulating Valves
- Standard Full Plastic Cover with sex bolts and screws (CR801)
- Standard Slim Plastic Cover with sex bolts and screws (CR801S)
- Available in Alum, Duro, Gold
- Optional Adjustable Delayed Action (DA). Preset at the factory for Approximately 20 Seconds, Between 70° and 0°. Delay time easily adjusted Up to 1 Minute.
- Barrier Free (BF) Meets ADA regulation. Size 1 thru 6 Engineered with Reduced Spring Power to provide easier opening for Handicapped or Elderly

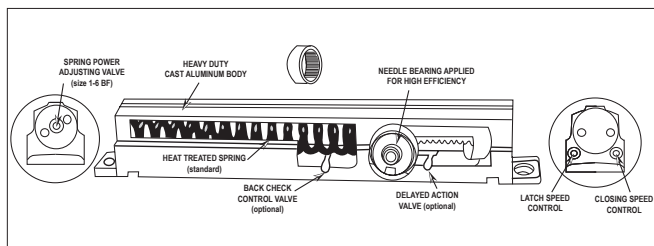
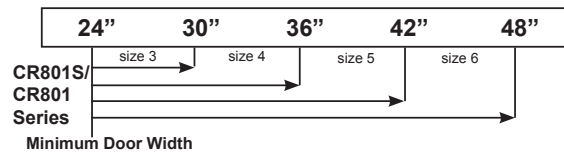


TABLE OF SIZES

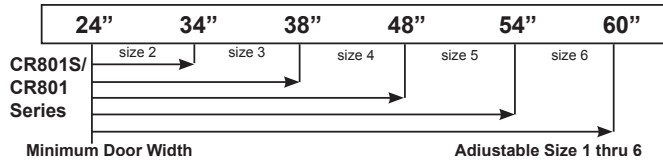
Closing power of closers may be adjusted 50%

→ Shows recommended range of door width for closer size.

EXTERIOR (and VESTIBULE) DOOR WIDTH

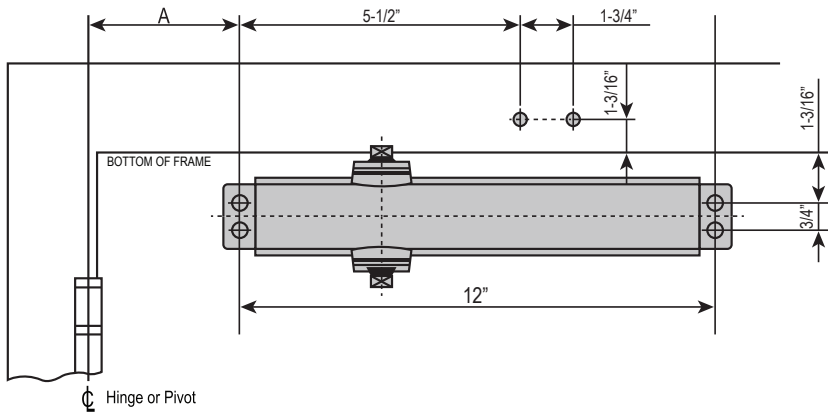


INTERIOR DOOR WIDTH



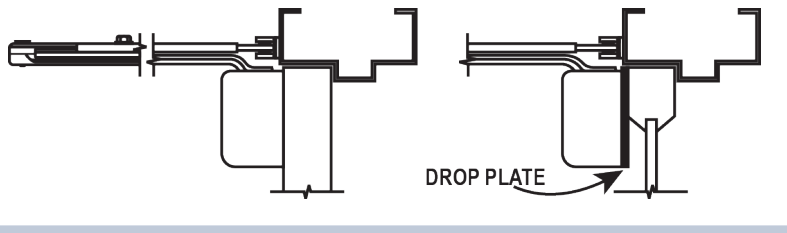
Replacement Hole Pattern Same As Norton 8301 / 8501 and Yale 3301 / 3501		
DESCRIPTION	SIZE	
A. Length of Closer Body	12 3/4"	
B. Horizontal Mounting Holes	12"	
C. Vertical Mounting Holes	3/4"	
D. Height of Closer Body	1 13/16"	
E. Projection from Door	2 1/8"	

CR801 / 801S SERIES : REGULAR ARM INSTALLATION (PULL SIDE)

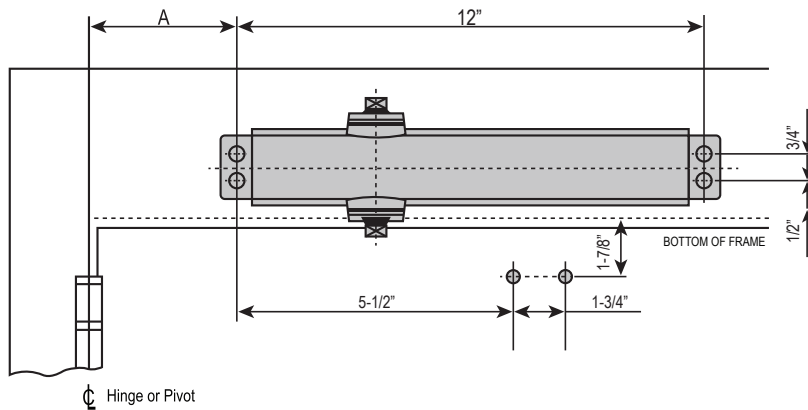


- RIGHT HAND DOOR SHOWN
- LEFT HAND DOOR OPPOSITE
- DIMENSIONS ARE IN INCHES
- DRAWING NOT TO SCALE

OPENING	DIM A
TO 100°	7-1/2" (190.5mm)
TO 130°	6" (152.4mm)
TO 180°	4-1/2" (114.3mm)

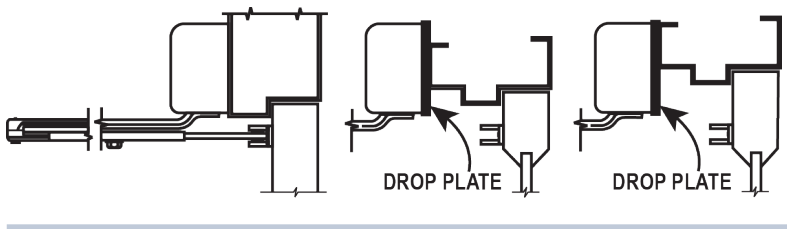


CR801 / 801S SERIES : TOP JAMB INSTALLATION (PUSH SIDE)



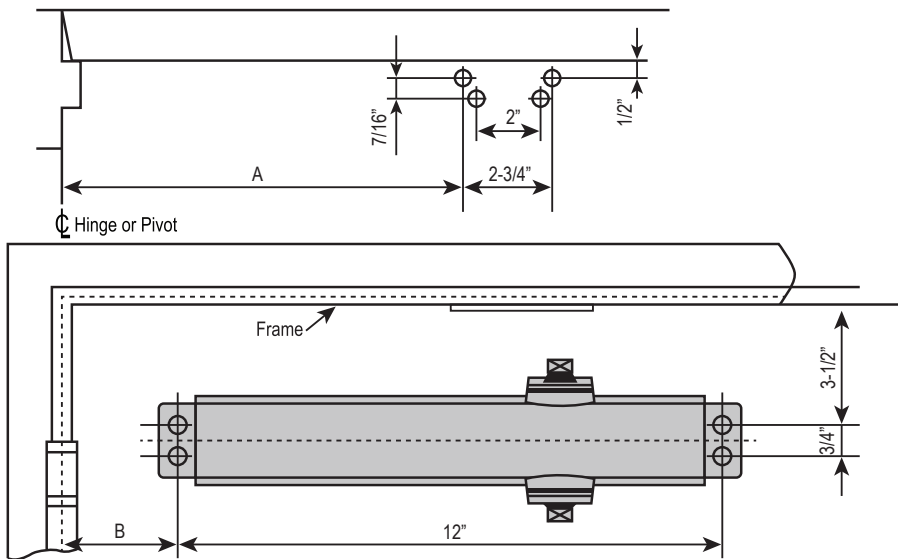
- RIGHT HAND DOOR SHOWN
- LEFT HAND DOOR OPPOSITE
- DIMENSIONS ARE IN INCHES
- DRAWING NOT TO SCALE

OPENING	DIM A
TO 100°	7-1/2" (190.5mm)
TO 130°	6" (152.4mm)
TO 180°	4-1/2" (114.3mm)

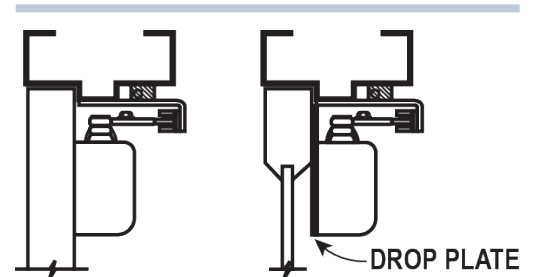


CR801 / 801S SERIES : PARALLEL ARM INSTALLATION (PUSH SIDE)

OPENING	DIM A	DIM B
TO 120°	9-1/2" (241.3mm)	3-3/4" (95.25mm)
TO 180°	7" (177.8mm)	1-1/4" (31.75mm)

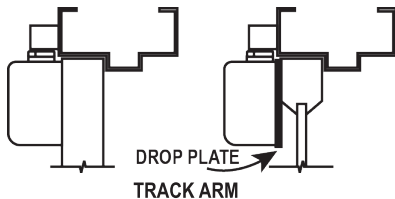


- LEFT HAND DOOR SHOWN
- RIGHT HAND DOOR OPPOSITE
- DIMENSIONS ARE IN INCHES
- DRAWING NOT TO SCALE

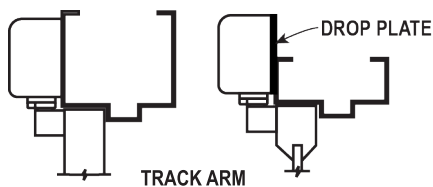


CR801 / 801S SERIES : OPTIONAL INSTALLATION

REGULAR ARM (PULL SIDE)



TOP JAMB (PUSH SIDE)



MAXIMUM OPENING: 180° (Standard), 120° (Hold Open)

OPTIONAL INSTALLATION

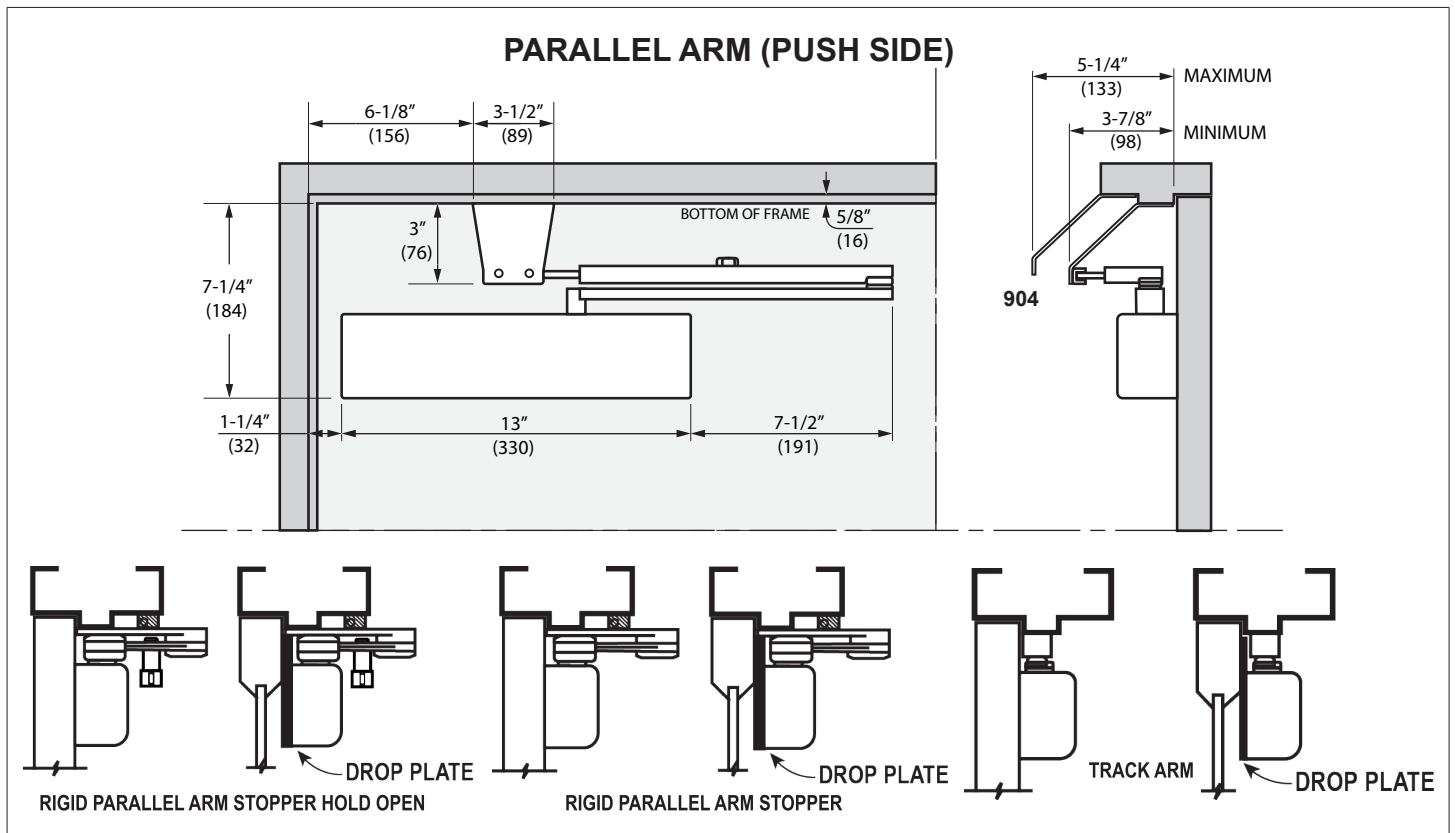
ARMS

- 901 / 902 - Hold-Open Arm with Parallel Bracket, Non-Handed with Stop in Soffit Shoe
- 900EXT - Extended Long Arm (3" Extension) for Top Jamb with Deep Reveals
- 945AR - Door Closer Arm (Main and Regular Forearm)
- TRACK / 900 - Slide Track Arm with Removable Hold-Open

BRACKETS

- 850S - Slim Flat Drop Plate
- 850W - Wide Flat Drop Plate
- 850F - Full Flat Drop Plate

CR801 / 801S SERIES : OPTIONAL INSTALLATION



MAXIMUM OPENING: 180° (Standard), 120° (Hold Open)

OPTIONAL INSTALLATION

ARMS

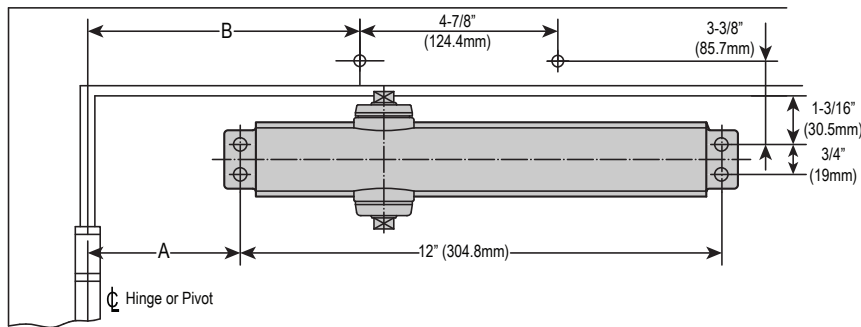
- **900HOSPRING** - Super Rigid Parallel Arm Stopper Hold-Open, Non-Handed with Spring Loaded Stop in Soffit Shoe
- **900SPRING** - Super Rigid Non-Handed Parallel Arm with Spring Loaded Stop in the Soffit Shoe
- **HOSRPS / 900** - Super Rigid Parallel Arm Stopper Hold-Open, Non-Handed with Stop in Soffit Shoe
- **SPAS900** - Super Rigid Parallel Arm Stopper, Non-Handed with Stop in Soffit Shoe
- **901 / 902** - Hold-Open Arm with Parallel Bracket, Non-Handed with Stop in Soffit Shoe
- **900EXT** - Extended Long Arm (3" Extension) for Top Jamb with Deep Reveals
- **945AR** - Door Closer Arm (Main and Regular Forearm)
- **TRACK / 900** - Slide Track Arm with Removable Hold-Open

BRACKETS

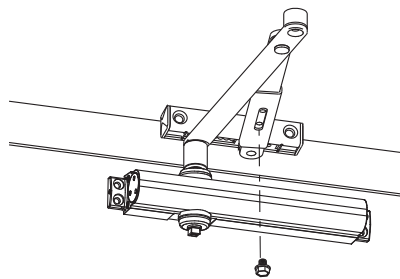
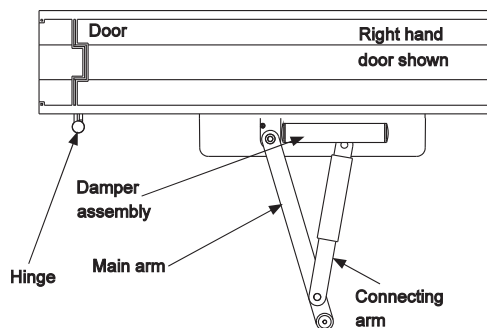
- **904** - Parallel Arm Drop Bracket for Non-Hold Open Parallel Arm Applications to Clear a Surface-Applied Stop / Holder
- **905** - Parallel Arm Bracket
- **850S** - Slim Flat Drop Plate
- **850W** - Wide Flat Drop Plate
- **850F** - Full Flat Drop Plate

Cushion Heavy Duty Stop Spring Arm with Spring Shoe

CR801 / 801S SERIES : REGULAR ARM INSTALLATION (PULL SIDE)

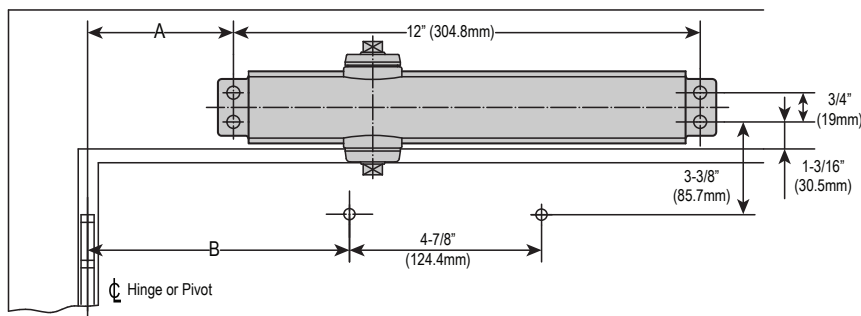


OPENING	DIM A	DIM B
TO 85°	9-3/8" (238.6mm)	12-1/4" (312mm)
TO 90°	8-3/4" (222.6mm)	11-5/8" (296mm)
TO 100°	7-7/8" (200.6mm)	10-13/16" (274mm)
TO 110°	7-1/8" (180.6mm)	10-1/16" (255mm)

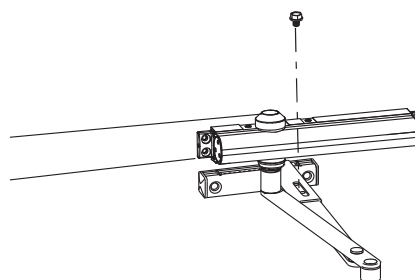
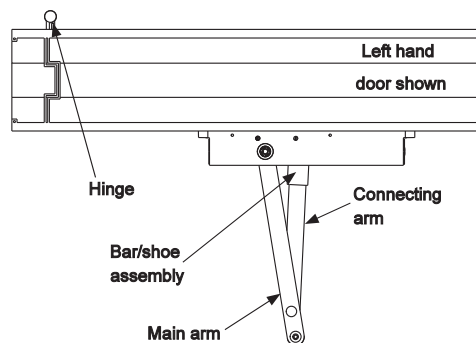


- RIGHT HAND DOOR SHOWN
- LEFT HAND DOOR OPPOSITE
- DIMENSIONS ARE IN INCHES
- DRAWING NOT TO SCALE

CR801 / 801S SERIES : TOP JAMB INSTALLATION (PUSH SIDE)



OPENING	DIM A	DIM B
TO 85°	8-5/16" (211mm)	11" (279mm)
TO 90°	8" (203mm)	10-11/16" (271mm)
TO 100°	6-7/8" (175mm)	9-9/16" (243mm)
TO 110°	6-1/4" (159mm)	8-15/16" (227mm)

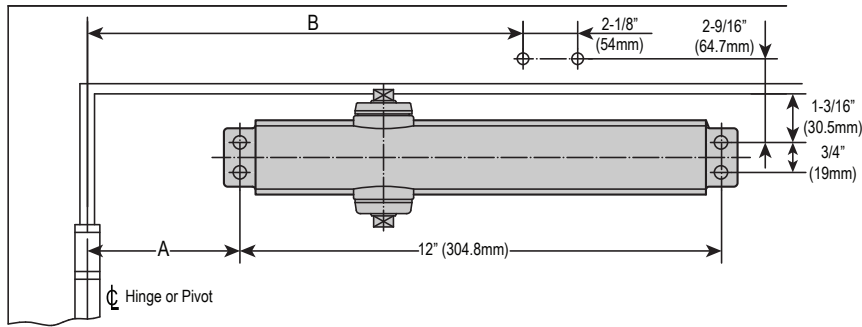


- LEFT HAND DOOR SHOWN
- RIGHT HAND DOOR OPPOSITE
- DIMENSIONS ARE IN INCHES
- DRAWING NOT TO SCALE

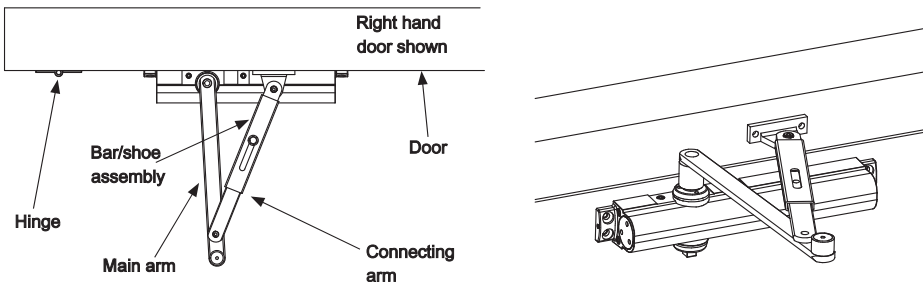
RHDSTP ARM INSTALLATION

Cushion Heavy Duty Stop Arm

CR801 / 801S SERIES : REGULAR ARM INSTALLATION (PULL SIDE)

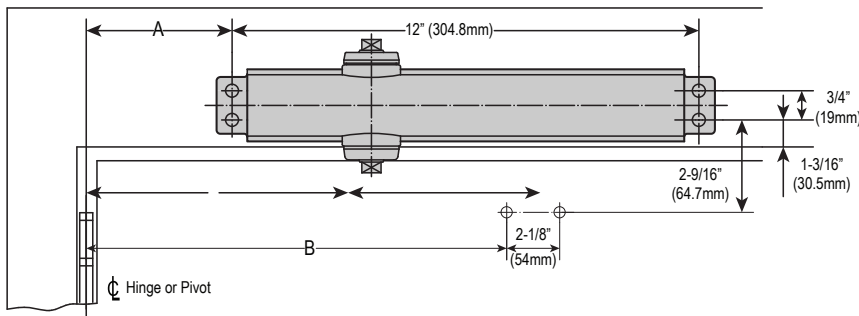


OPENING	DIM A	DIM B
TO 85°	6-1/4" (158.6mm)	14-5/16" (364mm)
TO 90°	5-5/8" (142.6mm)	14" (355mm)
TO 95°	4-13/16" (122.6mm)	13-11/16" (348mm)
TO 100°	5-3/4" (145.6mm)	13-1/16" (332mm)
TO 105°	4-1/4" (107.6mm)	12-3/4" (323mm)
TO 110°	4-1/8" (104.6mm)	12-5/16" (313mm)

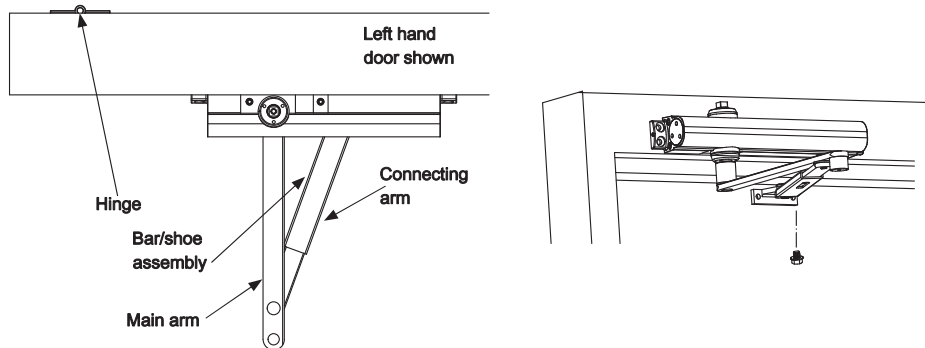


- RIGHT HAND DOOR SHOWN
- LEFT HAND DOOR OPPOSITE
- DIMENSIONS ARE IN INCHES
- DRAWING NOT TO SCALE

CR801 / 801S SERIES : TOP JAMB INSTALLATION (PUSH SIDE)



OPENING	DIM A	DIM B
TO 85°	6-7/8" (174.6mm)	13-3/8" (339mm)
TO 90°	6-1/8" (155.6mm)	12-13/16" (326mm)
TO 95°	5-7/8" (149.6mm)	12-7/16" (316mm)
TO 100°	5-5/8" (142.6mm)	12" (304mm)
TO 105°	5-3/8" (136.6mm)	11-11/16" (297mm)
TO 110°	5-1/8" (129.6mm)	11-7/16" (291mm)



- LEFT HAND DOOR SHOWN
- RIGHT HAND DOOR OPPOSITE
- DIMENSIONS ARE IN INCHES
- DRAWING NOT TO SCALE