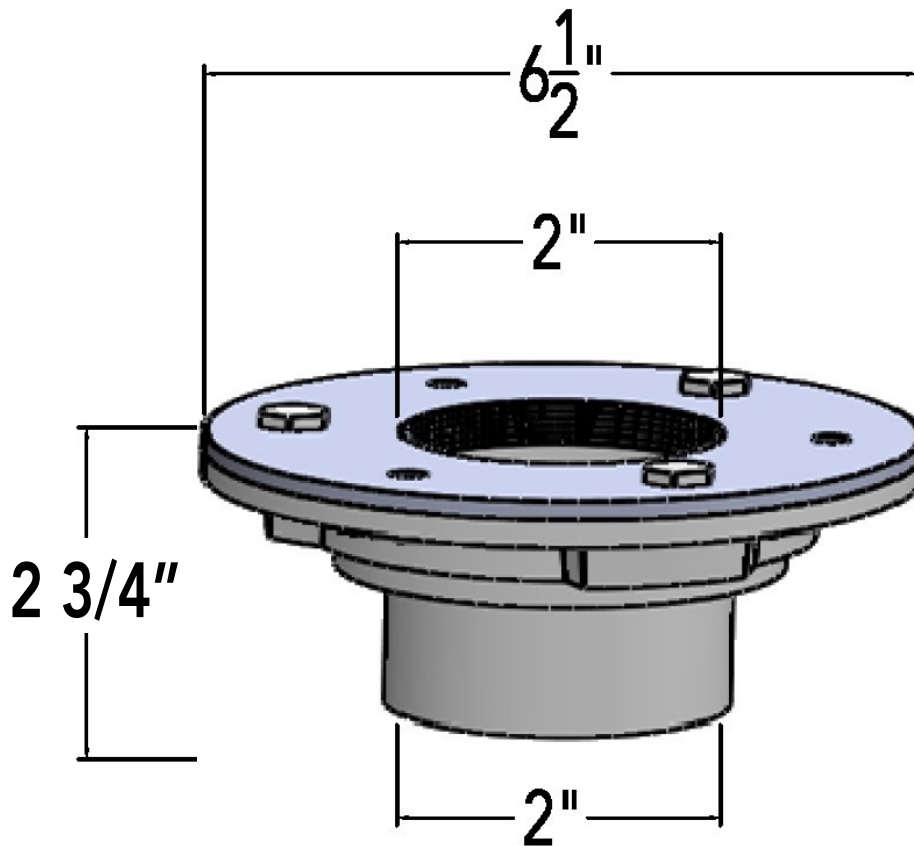


CDI 22 Specifications

CDI 22:

- Cast Iron Clamp Down Drain
- No Hub 2" Throat
- 2" No Hub Outlet
- 6 1/2" overall diameter



Infinity Drain
18 Secatoag Avenue
Port Washington, NY 11050
Phone: 516.767.6786
Fax: 516.740.3066
www.InfinityDrain.com

Note: Installer must verify all rough-in dimensions prior to installation and consult local and national codes. Conformity and compliance to local and national codes are the responsibility of the installer.