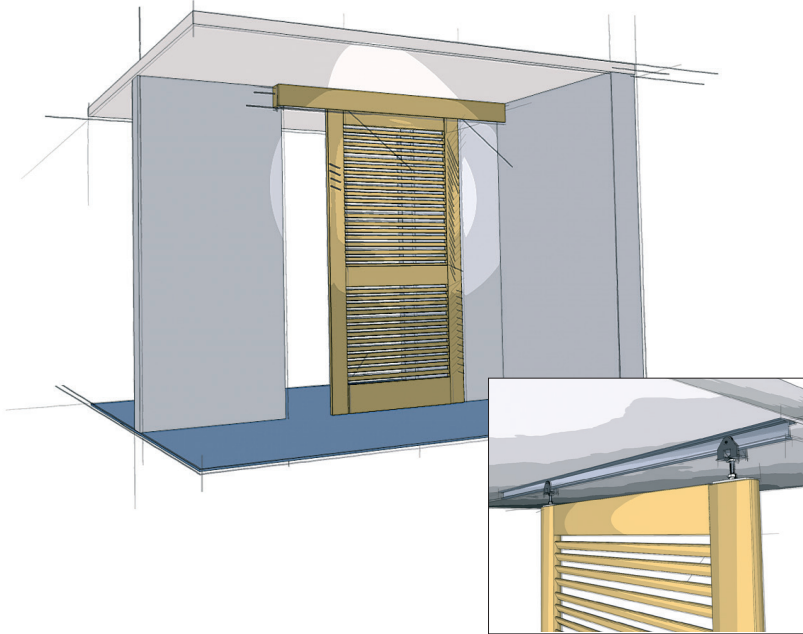


Single Door Set for Bi-parting, By-passing and Pocket Doors

Top Line Grant 1210

up to 225 lbs/door (102 kg/door)

for door thickness 1" (25.4 mm) minimum, top mount, adjustable



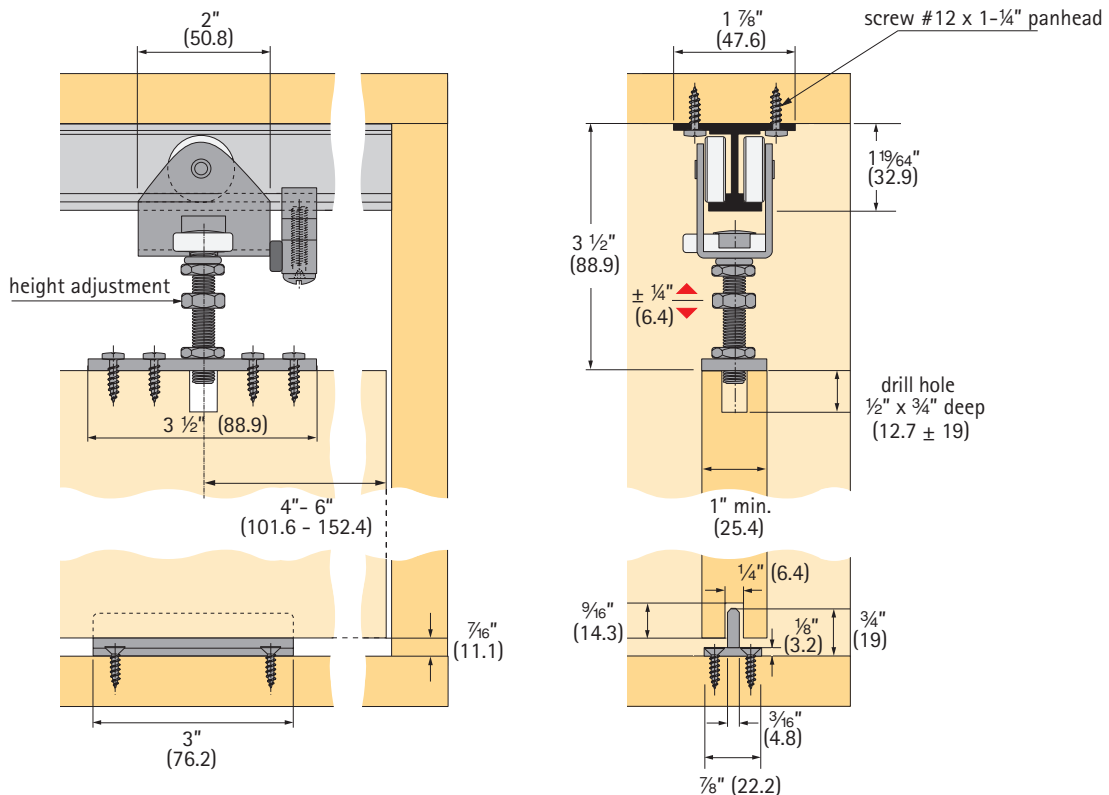
Top Line Grant 1210

A heavy duty commercial and residential grade sliding door hardware series ideal for design applications which require the movement of heavy panels, space dividers or large doors.

- For doors 1" and up weighing up to 225 lbs/door (102 kg/door)
- Precision ball-bearing wheels ensure a smooth, quiet and effortless operation.
- Two wheel carrier, center hung for efficient operation
- Vertical adjustment 1/2" (12.7 mm)
- Heavy duty aluminum I-beam track; jump proof design
- Meets and/or exceeds ANSI/BHMA standards
- Made in USA

For by-passing doors mount parallel tracks

For bi-parting doors use an additional set of hardware



Technical specifications are subject to change without notice