

GARADOR

The Garage Door People

Current Lock Assembly – Removal Instructions

These instructions are intended to aid removal and replacement of all current lock assemblies for Canopy and Retractable Doors.

1. Locate the interior lock assembly (see Fig.1)
2. Remove lock cylinder retention screw (see Fig.1)

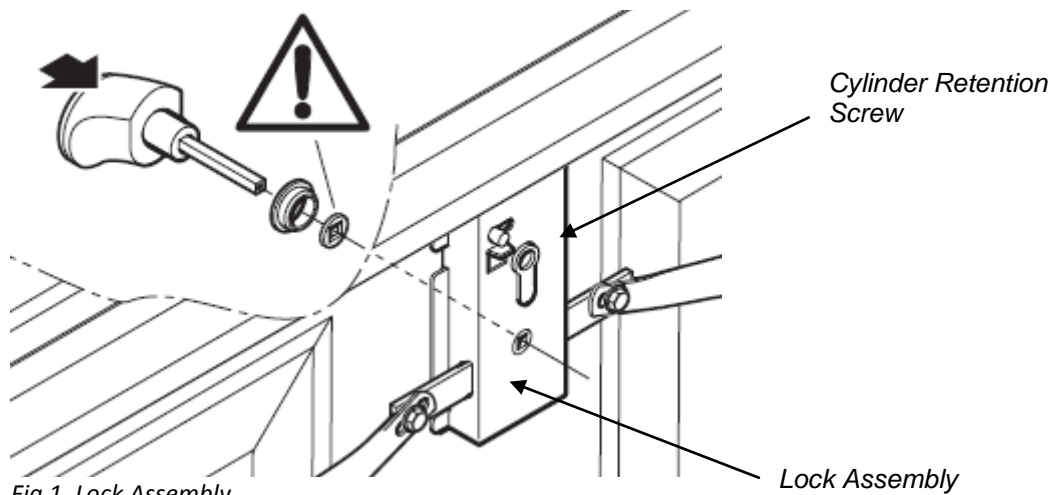


Fig 1. Lock Assembly

3. Locate the lock cylinder on the exterior face of the door.
4. Using a 4.5 – 5.0mm diamond tip drill bit, drill through the bottom of the key profile within the cylinder to release cylinder lock pins.
5. Remove the cylinder from the lock assembly.
6. Dependant on door type, lock assembly must be removed in the following ways:
 - 6.1. On the top face of the lock assembly will be a stainless steel plate which is connecting the lock assembly to a steel lug on the door. Lower the lock assembly towards the floor to release the assembly from the door.
 - 6.2. Behind the lock assembly will be a plate between the bottom face of the door and the first horizontal brace. This plate has four clips (two on each side of the assembly) which are holding the lock assembly to the door. Using pliers or screwdriver, release the clips and remove the lock assembly from the door.
 - 6.3. Remove the screw holding the front base plate for the door handle, and then follow either set of instructions as detailed in 6.1 and 6.2.

Once the lock assembly has been removed, replace with new identical lock assembly and follow these instructions in reverse (**Do Not** drill out the centre of new lock cylinder).