

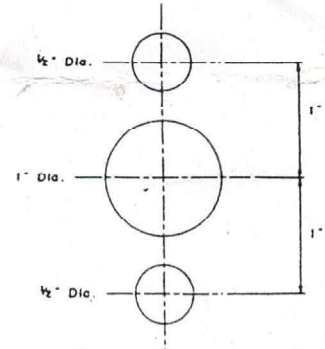
FITTING INSTRUCTIONS FOR LOCKING SET

This locking set has been designed and manufactured to be as straightforward to fit as possible. It also allows for adaptable fitting, depending upon the door style and material.

STEP 1 LOCK HANDLE

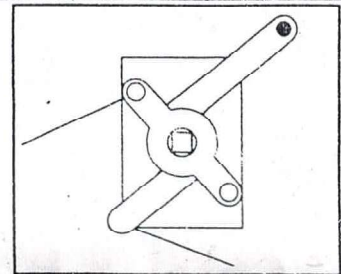
The door lock handle should be fitted approximately 5ft from the top of the door depending upon the style of the door. The handle is normally fitted in the vertical position, it may, depending upon door style, be fitted in the horizontal position. Drill the 3 holes as shown.

CHECK MEASUREMENTS CAREFULLY BEFORE DRILLING.



STEP 2 INSIDE LOCKING ASSEMBLY

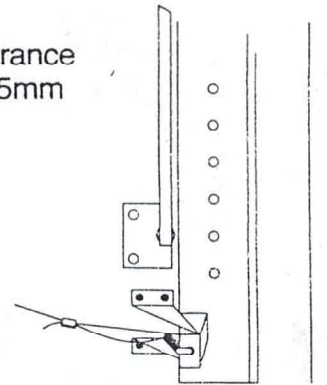
Lock the door handle with the handle in line with the back plate. Insert handle into door from outside. Locate inner locking mechanism over lock handle spindle and fix machine screws provided. On doors under 2" (50mm) thick the screws will have to be cut.



STEP 3 LOCK CATCHES

Fit lock catches under the activating arm allowing approx 1/4" (7mm) clearance between catch and the bottom weather strip as shown. Use 4 No. 12 x 25mm self tapping screws from screw pack (Pilot hole 2mm).

TAKE GREAT CARE NOT TO DRILL THROUGH DOOR.



STEP 4 FITTING LATCH CABLE

Install 2 latch cables as shown, cut off any excess after adjustment.

