



# **Garador C-Type Cables Fitting Instructions**

# Garador C-Type Spring Cable - Fitting Instructions

**Copyright Notice** Please note that, unless stated otherwise, the copyright to all material presented on this website is the property of Weather Stop Ltd. We rigorously protect our rights under UK Copyright Law and will actively pursue any infringements.

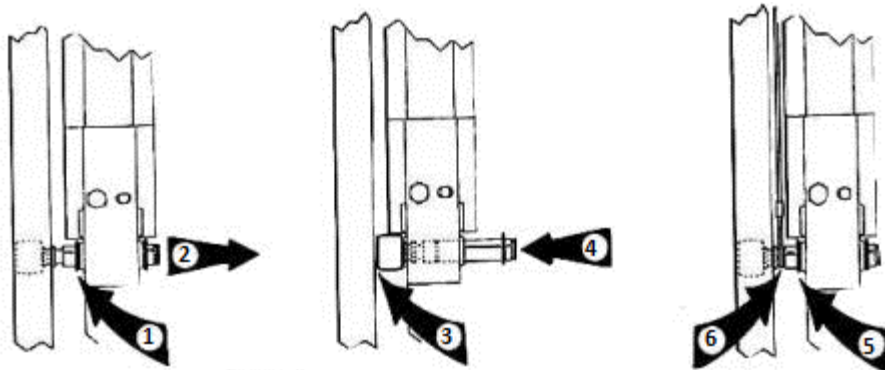


Figure 1

1. Open the door approximately 6" and place a block under it to keep it open.
2. Remove the e-clip (arrow 1) and slide the roller spindle towards the centre of the door (arrow 2).
3. Thread the large loop of cable over the plastic roller (arrow 3).
4. Slide the roller spindle back to its original position (arrow 4).
5. Refit the e-clip (arrow 5).
6. Ensure the cable is located in the grooved slot of the roller spindle (arrow 6).

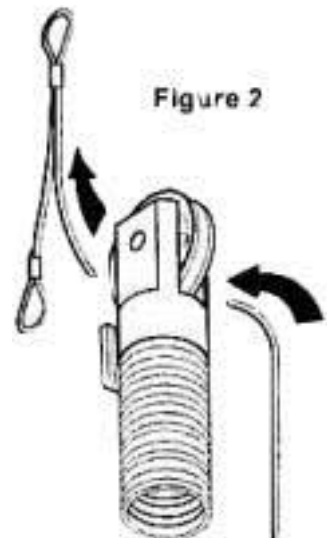


Figure 2

7. Thread the opposite end of the cable through the spring assembly as shown in Fig 2. Then locate the spring back in the plastic guide channel.
8. Holding the mid loop of the cable, slide the spring up the guide channel until you can attach the mid loop to the S hook at the top of the track.
9. Prop the door in the open position and refit the spring.

**Please Note: All work is undertaken at your own risk.**