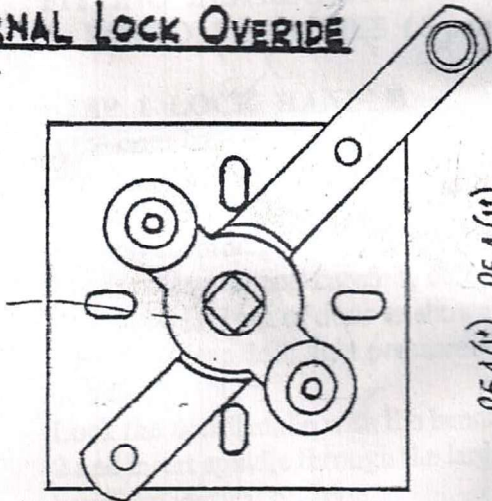
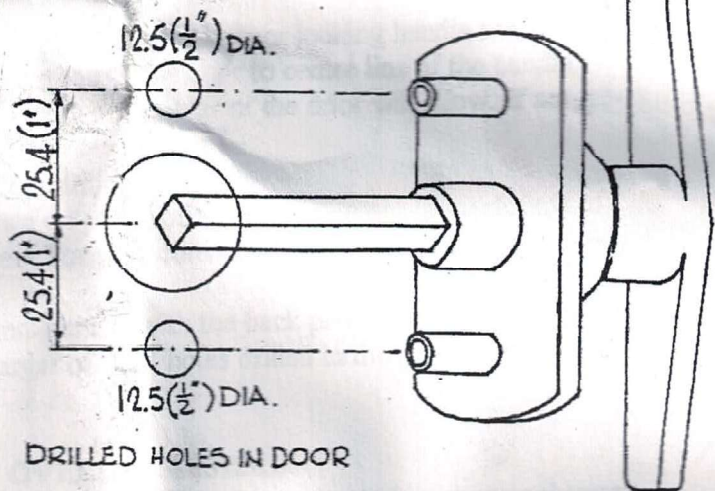


FITTING INSTRUCTIONS - T HANDLE - 3 POINT LOCKING

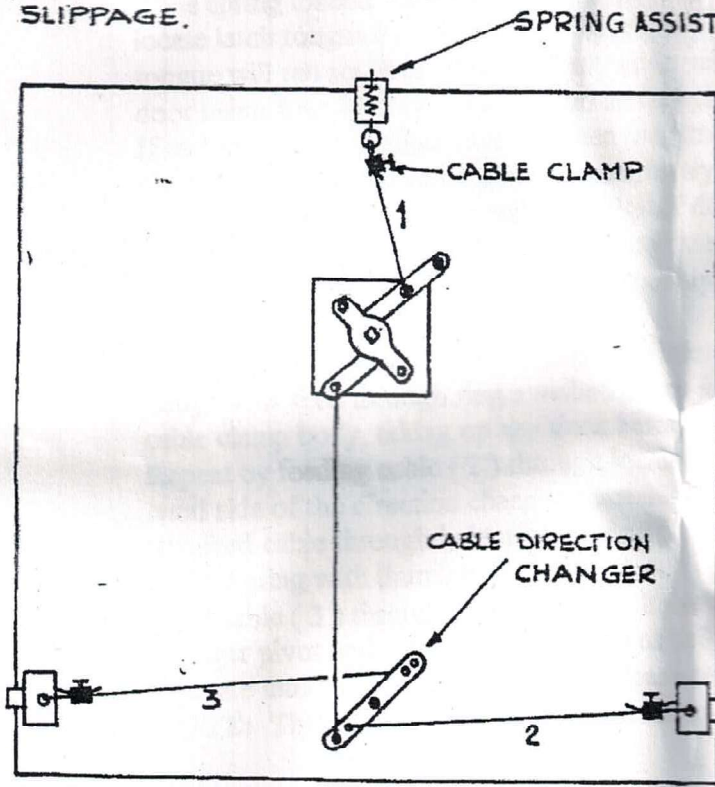
INTERNAL LOCK OVERRIDE



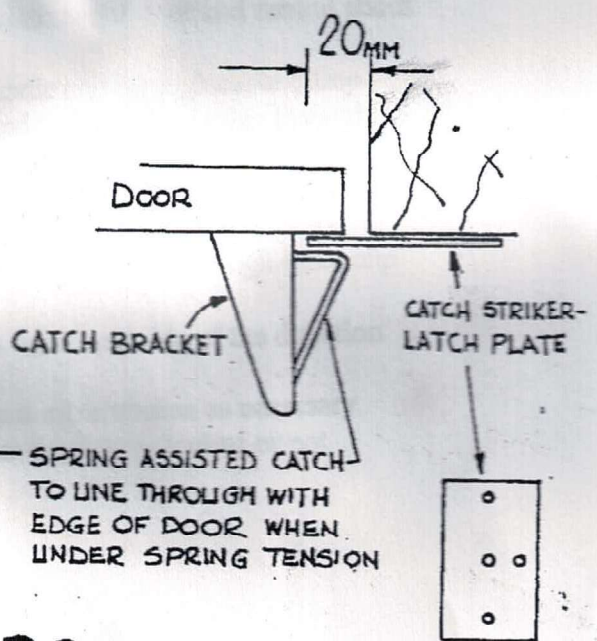
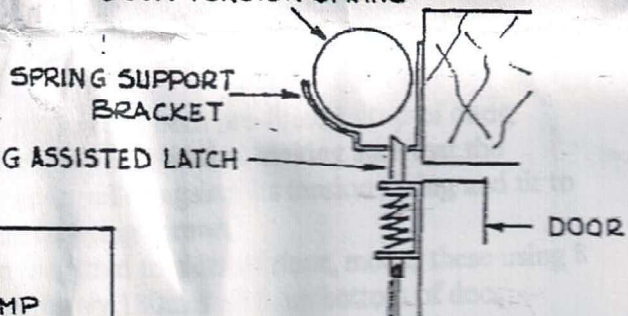
LOCKING T HANDLE



CABLES 1 AND 3 - 1220 MM (4 FT LONG)
 CABLE 2 - 2743 MM (9 FT LONG)
IMPORTANT
 PASS CABLE 2 THROUGH TWO
 ADJACENT HOLES TO PREVENT
 SLIPPAGE.



DOOR TORSION SPRING



CANOPY DOORS

FITTING INSTRUCTIONS for LOCKING T HANDLE with TOP LATCH & BOTTOM CATCHES (3 point locking)

STEP 1 LOCK HANDLE

If the door has not been drilled to receive a lock, the door locking handle should be fitted approximately 720 mm from the top of the door to centre line of the handle, assuming that the position of the bracing on the rear of the door will allow. If not, re-position accordingly.

Check measurements carefully before drilling.

Drill holes in front of door as shown on page 2 of 2, taking care not to crack face of door, ie. Sharp drill, light pressure. (For your convenience a paper template has been included.)

Lock the door handle with the handle in line with the back plate as shown on page 2 of 2 and insert spindle through the larger of the 3 holes drilled in the door front, with handle in vertical position.

STEP 2 INTERNAL LOCK OVERRIDE ASSEMBLY

Place internal lock override assembly onto spindle, insert c/sk machine screws through vertically elongated holes in back plate and secure by locating and tightening screws in threaded holes in external handle. Doors under 50mm (2") thick require fixing screws to be cut shorter to suit.

STEP 3 LATCH, CATCHES AND CABLES

If the spring loaded top latch with pull ring has not been pre-fitted to top of door, locate latch tongue in slot of torsion spring support bracket making sure that the tongue will retract clear of the bracket when pulled against its tension spring and fit to door using 4 no. M4x19 pozi-panhead self tapping screws.

If spring assisted catches have not been pre-fitted to sides of door, mount these using 8 no. M4x19 pozi-panhead screws approximately 180mm up from bottom of door.

Catches should line through with the edge of door (spring not depressed).

If cable direction changer has not been pre-fitted mount to door using 2 no. M4x19 pozi-panhead screws approximately 180mm up from bottom of door and central about the width of door.

Feed free end of cable (1) through hole in internal handle and through cable clamp body. Now feed through ring attached to top latch and return end of cable through cable clamp body, taking up any slack before 'nipping' cable with thumb screw.

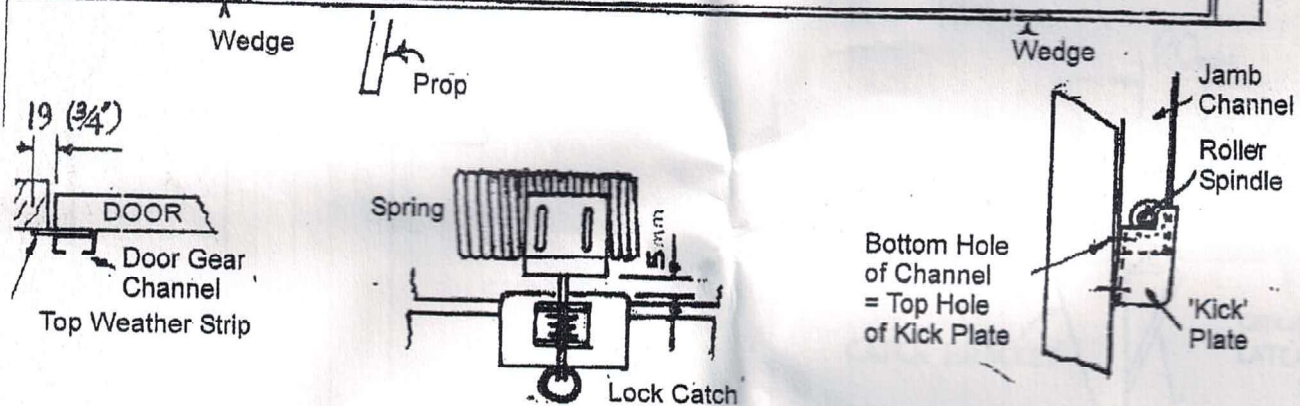
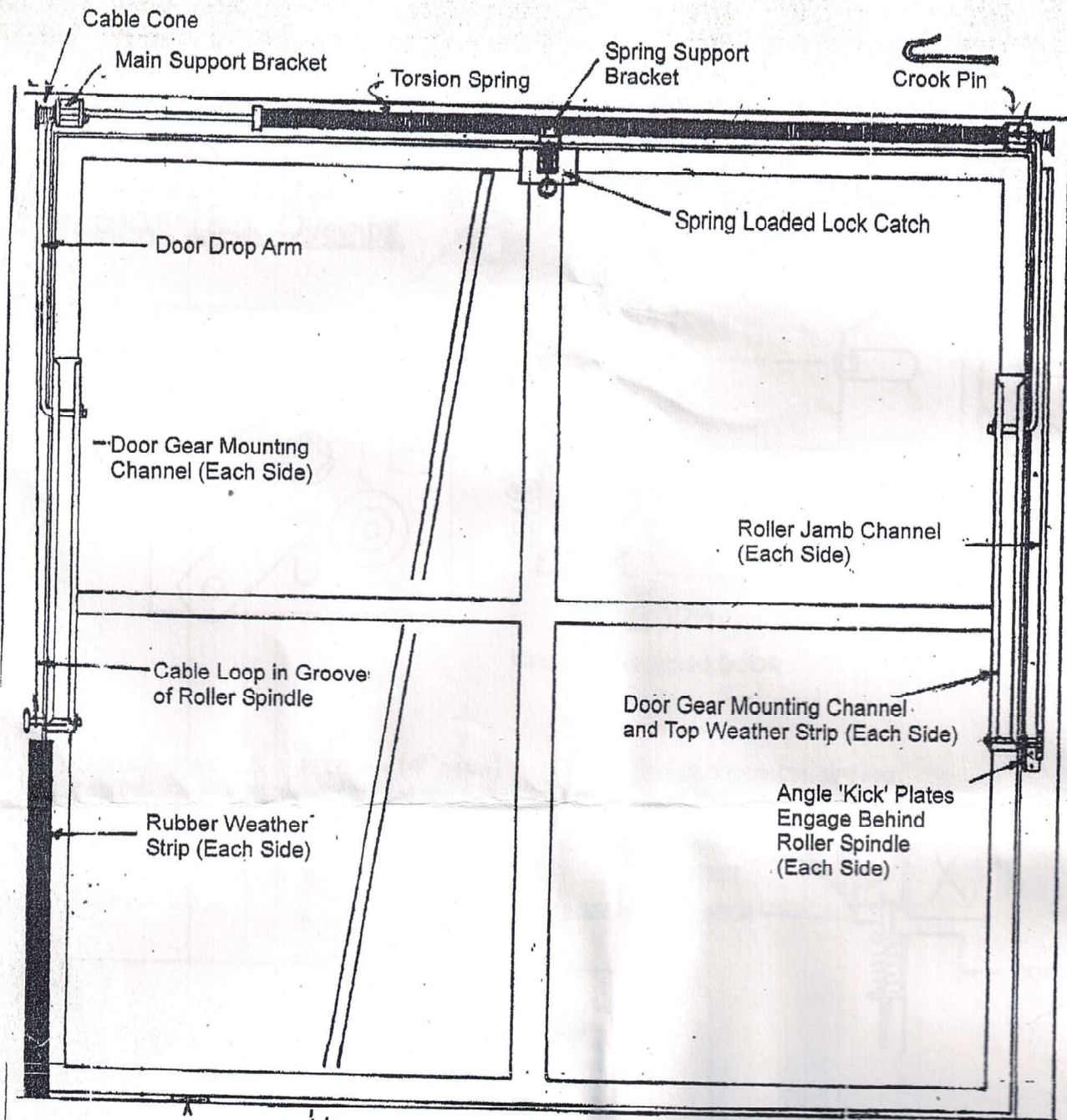
Repeat by feeding cable (2) through lower arm and two adjacent holes to the left hand side of the direction changer pivot. Depress right hand catch against its spring and feed cable through hole nearest edge of door before returning through cable clip and securing with thumb screw.

Feed cable (3) through one of the two holes to the right hand side of the direction changer pivot and cable left hand catch as before.

Operate internal handle to test door release and adjust cable tension as necessary.

NOTE: The door may be opened internally whether the door is locked or not.

APL 61



FIXING INSTRUCTIONS - CANOPY DOOR GEAR